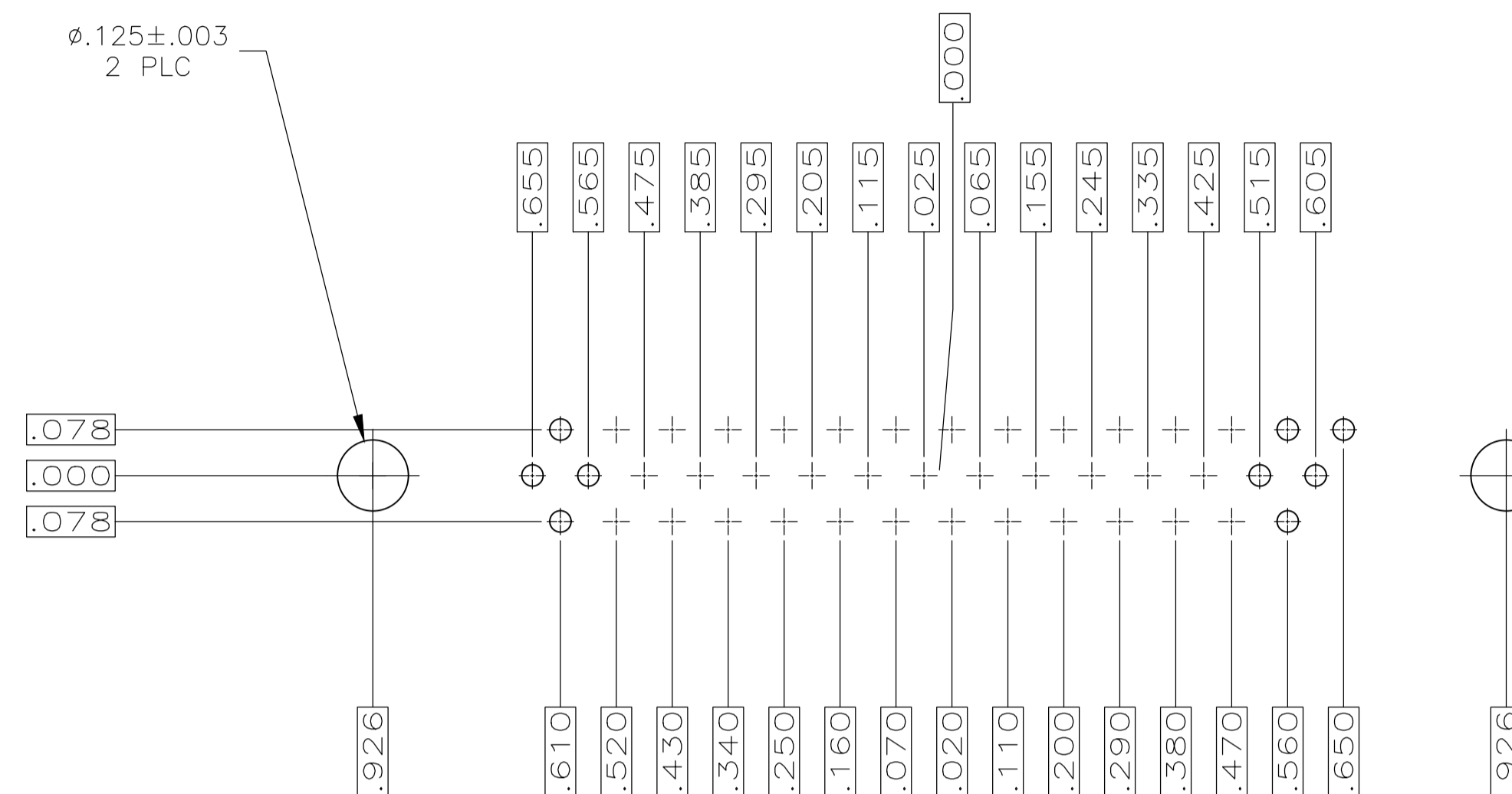
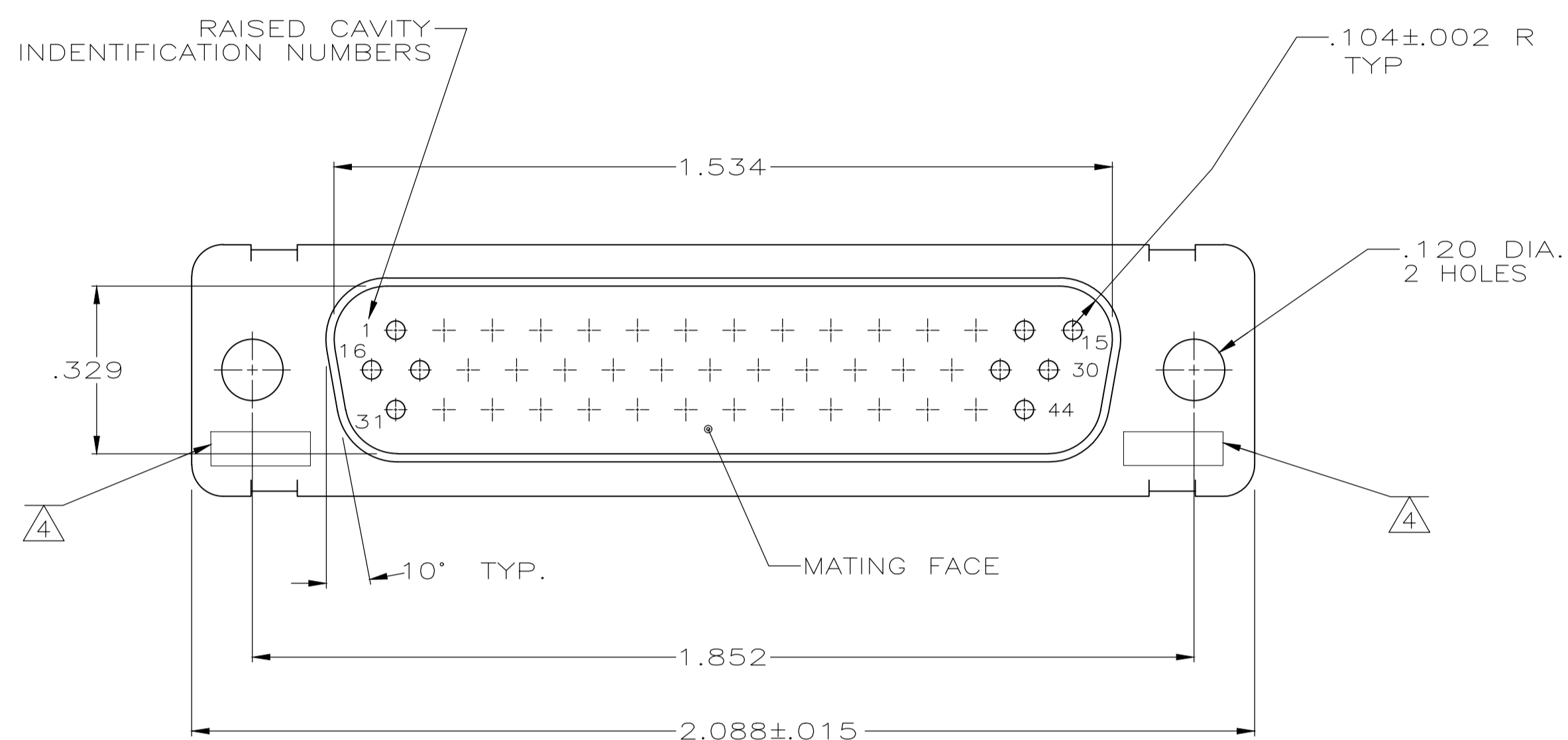
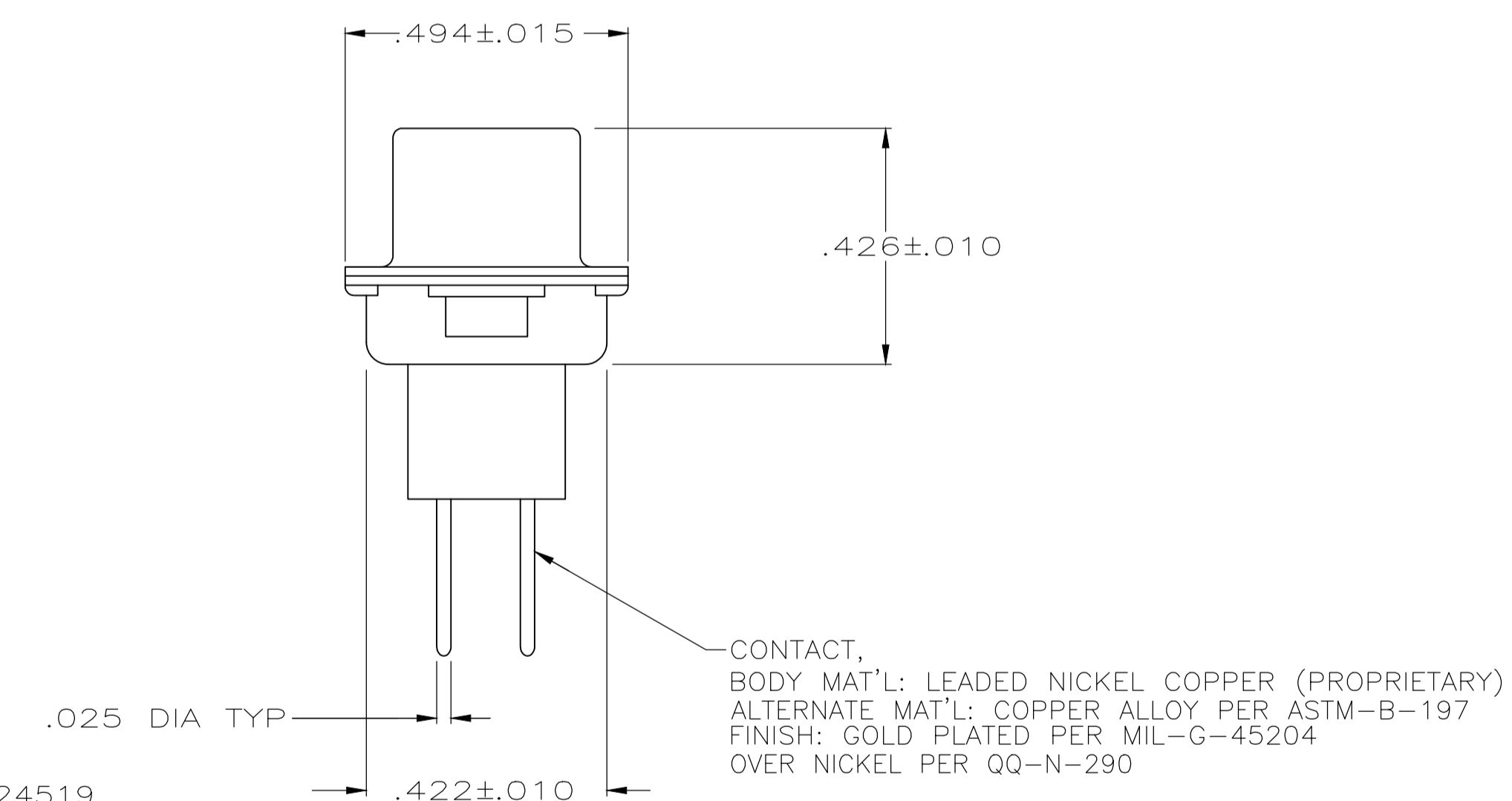
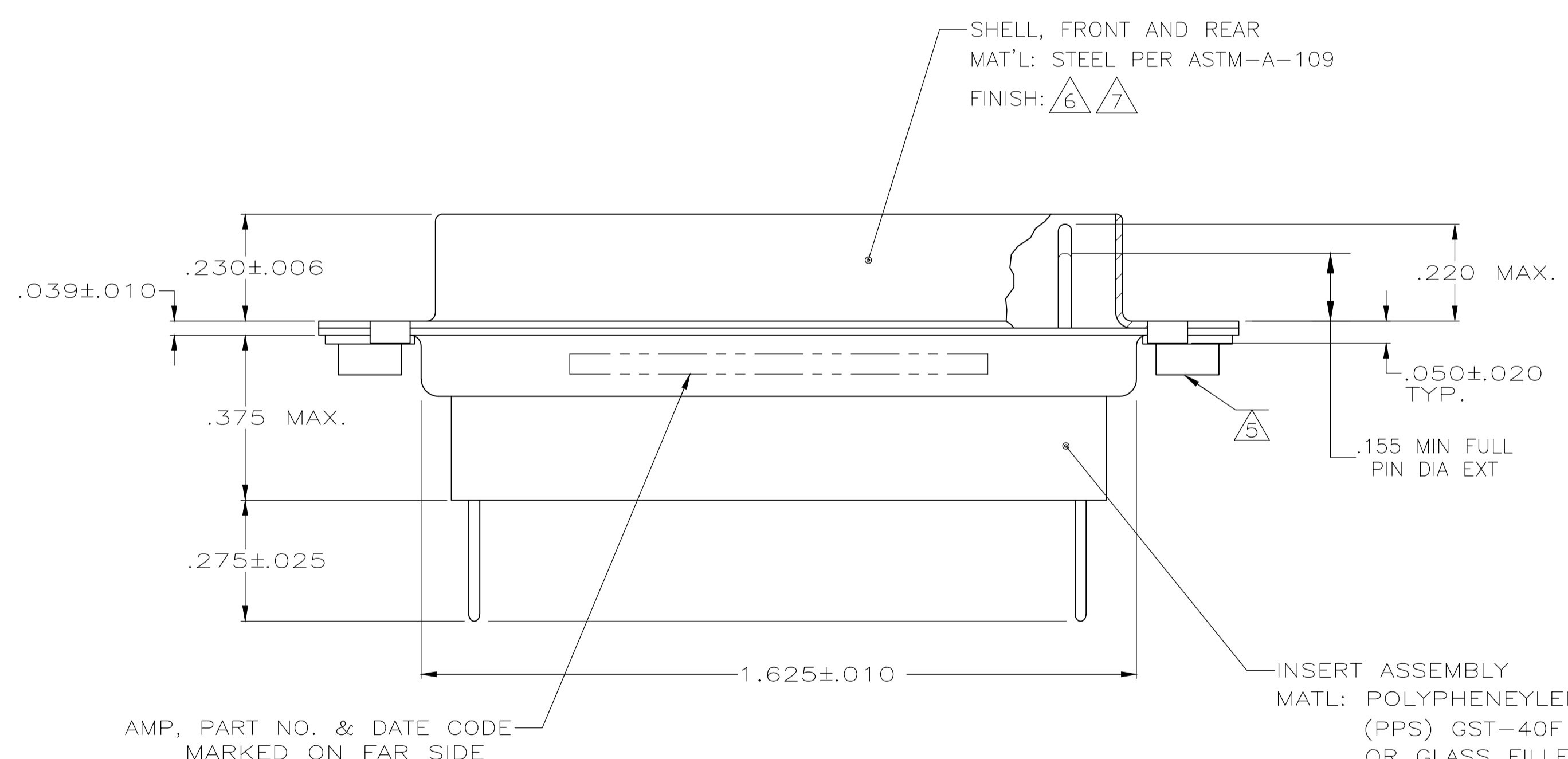


REVISIONS					
P	LTR	DESCRIPTION	DATE	DMN	APVD
M		REVISED PER ECO 20-005651	8-11-20	CT	DM



RECOMMENDED P.C. BOARD LAYOUT



1. .040 DIA HOLE IS RECOMMENDED FOR P.C. BOARD
2. CONNECTOR MATES WITH ANY AMP 44 POSN RECEPTACLE
3. REPLACEMENT PIN AMP# 207683-8
4. UL/CSA DESIGNATION STAMPED IN THIS AREA.
5. CLINCH NUT(QTY = 2) IS USED ON 208868-3 ONLY.
6. FINISH: CADMIUM PER QQ-P-416
7. FINISH: ZINC PLATED PER ASTM-B-633, .000200-.000400 THK WITH SUPPLEMENTARY CHROMATE (Cr3+)

PLATED PER 7	5-208868-1
5, PLATED PER 6	208868-3
PLATED PER 6	208868-2
PLATED PER 6	208868-1
DESCRIPTION	PART NO.

THIS DRAWING IS A CONTROLLED DOCUMENT.

DIMENSIONS: INCHES	TOLERANCES UNLESS OTHERWISE SPECIFIED:	DIN C.C.THOMAS 1-7-88	1-7-88
0 PLC ± .005	1 PLC ± .005	CHK F.C.BALLEW III 1-26-88	1-26-88
2 PLC ± .005	3 PLC ± .005	APVD F.C.BALLEW III 1-26-88	1-26-88
4 PLC ± .005	ANGLES ± .005	PRODUCT SPEC	NAME
MATERIAL SEE CALLOUTS	FINISH SEE CALLOUTS	APPLICATION SPEC	SIZE
		WEIGHT 0.000000	A1 00779 C=208868
		CUSTOMER DRAWING	SCALE 4:1 SHEET 1 OF 1 REV M

AMPLITE 44 POSN. PLUG ASSY., W/ LOADED POSTED CONTACTS SIZE 3, SERIES 90

TE Connectivity

单击下面可查看定价，库存，交付和生命周期等信息

[>>TE Connectivity\(泰科\)](#)