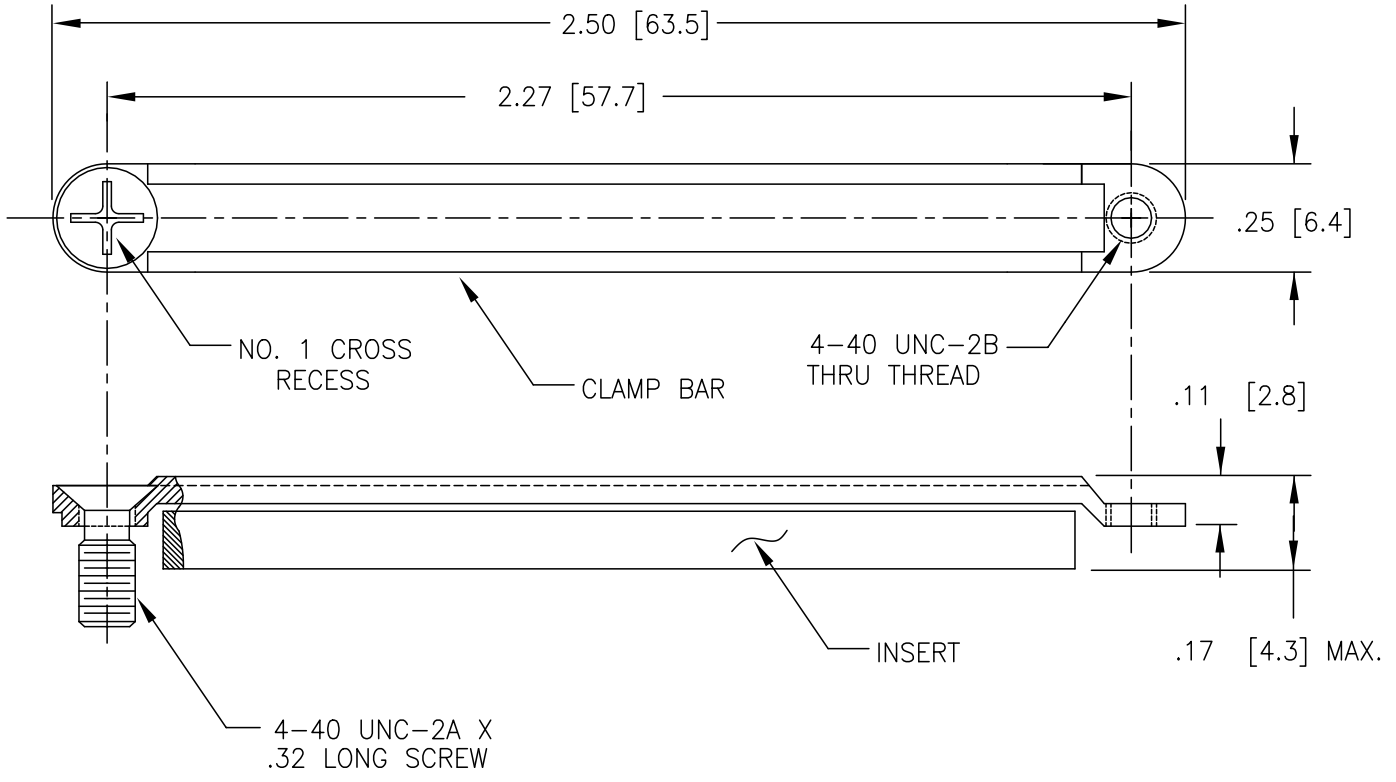



REVISION			
REV	DESCRIPTION	DATE	APPROVED
B	REVISED RELEASE PER DCR# C050426	May/12/05	M.HIGGY
E	REVISED PER ECO-19-012533	Aug/13/19	A.SOLIS




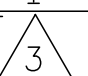
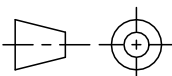
NOTES:

1. THIS PART IS USED WITH MTC PLUG AND RECEPTACLE SHELLS.
(TWO REQUIRED PER CONNECTOR ASSEMBLY)
2. MATERIALS: CLAMP BAR: STAINLESS STEEL, CADMIUM PLATED
INSERT: FLUROSILICONE ELASTOMER
SCREW: STAINLESS STEEL, CADMIUM PLATED

 WEIGHT: 0.029 Lbs. [13.00 gm.] MAXIMUM/PAIRS.

SPECIFICATION CONTROL DRAWING

© 2005 Tyco Electronics Corporation.
All rights reserved

ITEM	QTY.	PART NO	DWG OR SPEC NO	DESCRIPTION
PARTS LIST				
UNLESS OTHERWISE SPECIFIED DIMENSIONS ARE INCHES. METRIC DIMENSIONS ARE IN BRACKETS.		DRAWN ZS.ORBAN	DATE May/6/05	 TYCO ELECTRONICS 300 Constitution Drive Menlo Park, CA. 94025 USA
DECIMAL TOLERANCES .XXX ± .005 [.13 mm] .XX ± .01 [.25 mm] .X ± [mm]		APPROVED M.HIGGY	DATE May/6/05	
ANGLE TOLERANCE .X ±		MATERIAL		TITLE ASSEMBLY, 2 INCH CLAMP, CABLE CADMIUM PLATED MTC SERIES
WEIGHT 		FINISH		
CAD FILE C050426.DWG		THIRD ANGLE PROJECTION 		SIZE A CAGE CODE: 06090 DWG. NO. CHA-0092 E
DO NOT SCALE THIS DRAWING				SHEET 1 OF 1

单击下面可查看定价，库存，交付和生命周期等信息

[>>TE Connectivity\(泰科\)](#)