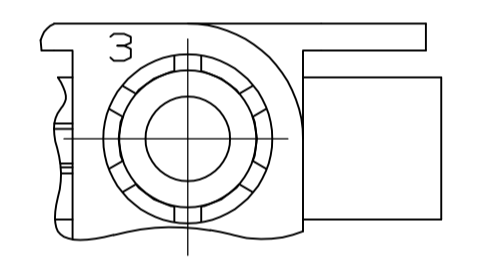
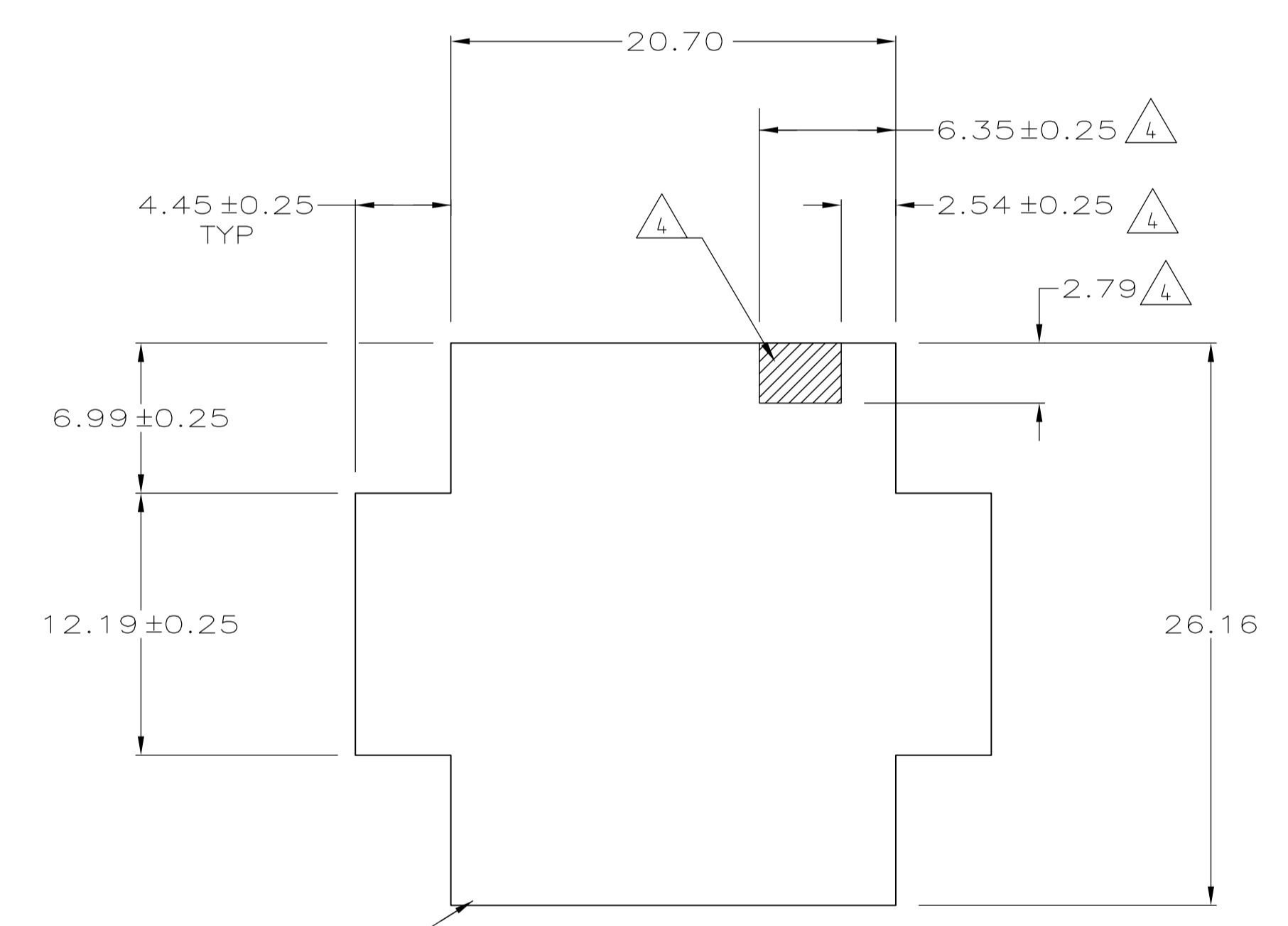
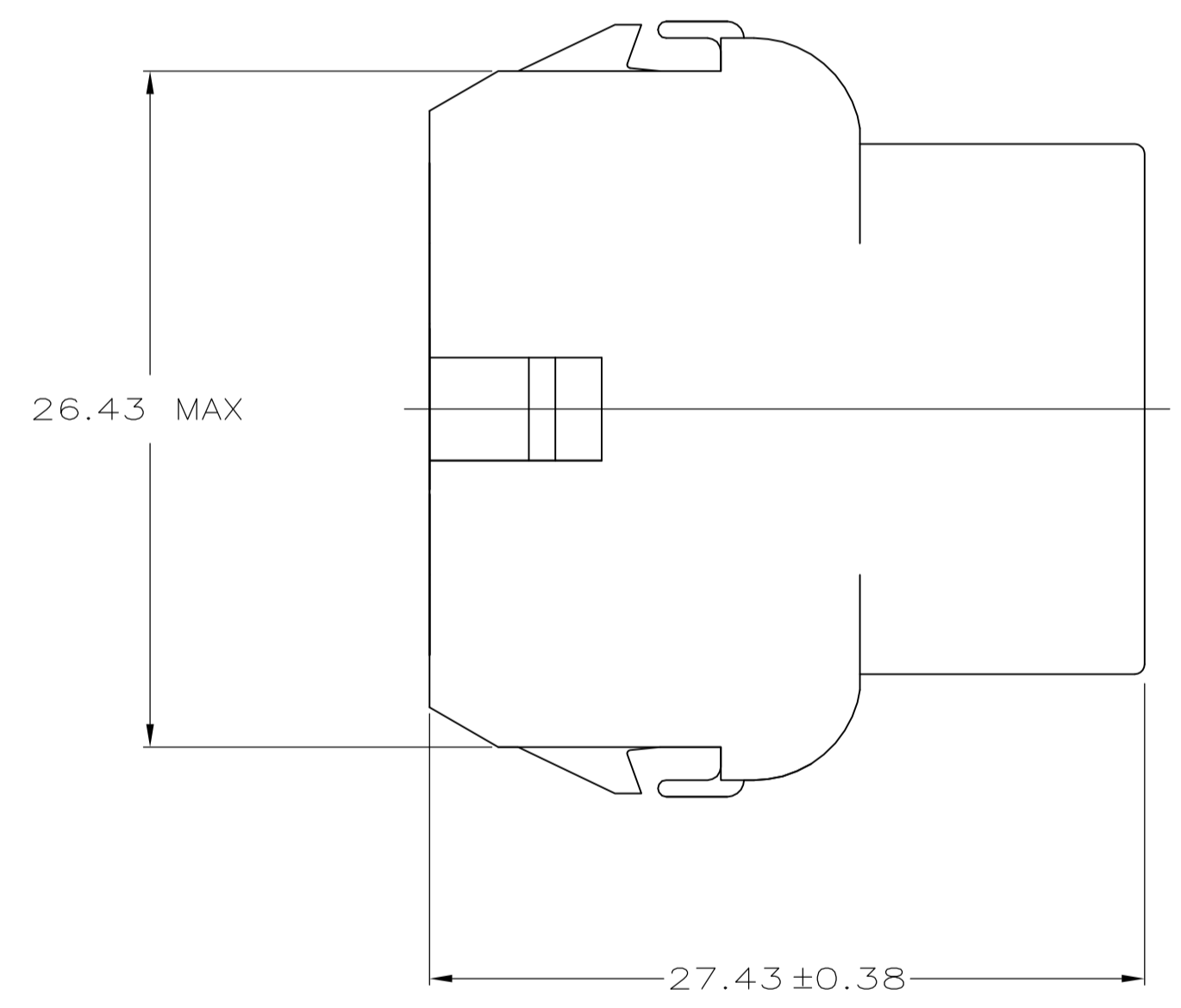


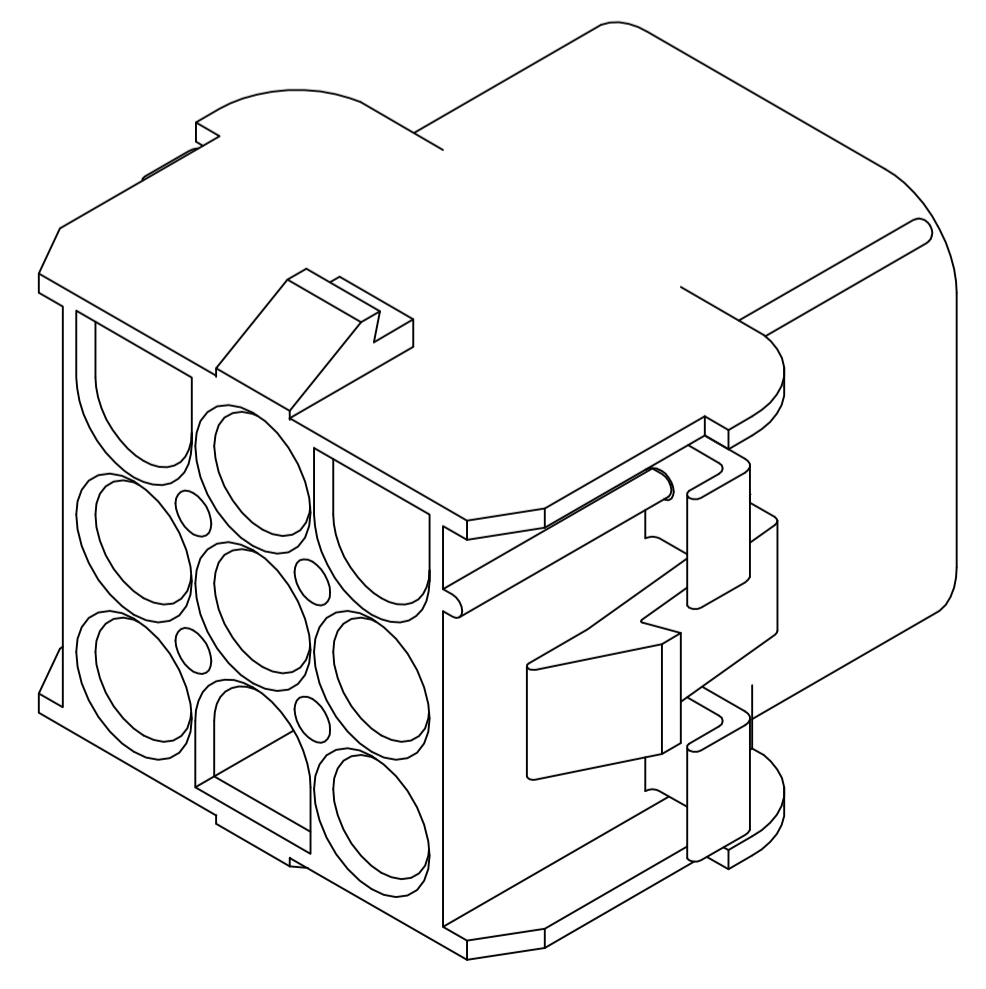
- 1 MATES WITH APPROPRIATE UNIVERSAL MATE-N-LOK™ PLUG.
- 2 RECOMMENDED PANEL THICKNESS 0.76 - 2.29.
- 3 PANEL MUST BE PUNCHED SO THAT THE HOUSING ENTERS THE PANEL IN THE SAME DIRECTION AS THE PUNCH.
- 4 OPTIONAL FOR KEYING HOUSING IN PANEL.
- 5 CIRCUIT NUMBER 1 LOCATION.
- 6 FOUR RIBS EQUALLY SPACED, NO SPECIFIC ORIENTATION. SIX RIBS EQUALLY SPACED, NO SPECIFIC ORIENTATION, OPTIONAL.
- 7 150° C TEMPERATURE RATING FOR THIS HOUSING IS FOR SHORT TERM DURATION. MAX OPERATING TEMPERATURE REMAINS 125° C.
- 8 PHOSPHOR BRONZE CONTACTS SHOULD ALWAYS BE USED WITH THIS HOUSING.
- 9 DIMENSIONS SHOWN REPRESENT PRODUCT IN DRY, AS MOLDED, CONDITION. ADDITIONAL 2% GROWTH DUE TO SUBSEQUENT MOISTURE ABSORPTION MAY OCCUR AND SHOULD BE ACCOUNTED FOR.



DETAIL A  
OPTIONAL CONSTRUCTIONS



RECOMMENDED PANEL CUT OUT



3-DIMENSIONAL MODEL  
NTS

6.35	.250	-	-
4.45	.175	27.43	1.080
2.79	.110	26.43	1.041
2.54	.100	26.16	1.030
2.29	.090	20.70	.815
0.76	.030	20.32	.800
0.38	.015	12.19	.480
0.25	.010	8.13	.320
0.13	.005	6.99	.275
MM	IN	MM	IN

CONVERSION TABLE

RED	2029315-1
COLOR	PART NUMBER

THIS DRAWING IS A CONTROLLED DOCUMENT.		DIN	JR_RUTH	27SEPT10
DIMENSIONS:		CWK	TOM_MICHELUTTI	27SEPT10
mm		APVD	TOM_MICHELUTTI	27SEPT10
TOLERANCES UNLESS OTHERWISE SPECIFIED:		NAME	CAP, 9 CIRCUIT, UNIVERSAL MATE-N-LOK™	
0 PLC	± -	PRODUCT SPEC	-	
1 PLC	± -	APPLICATION SPEC	-	
2 PLC	± 0.13	SIZE	A1	00779
3 PLC	± -	SCALE	4:1	
4 PLC	± -	WEIGHT	-	
ANGLES	± 0° 30'	CUSTOMER DRAWING	-	
MATERIAL	NYLON, UL 94V-2	FINISH	-	
CUSTOMER DRAWING		SCALE	4:1	SHEET 1 OF 1
REV A1		DATE 06NOV2017		

单击下面可查看定价，库存，交付和生命周期等信息

[>>TE Connectivity\(泰科\)](#)