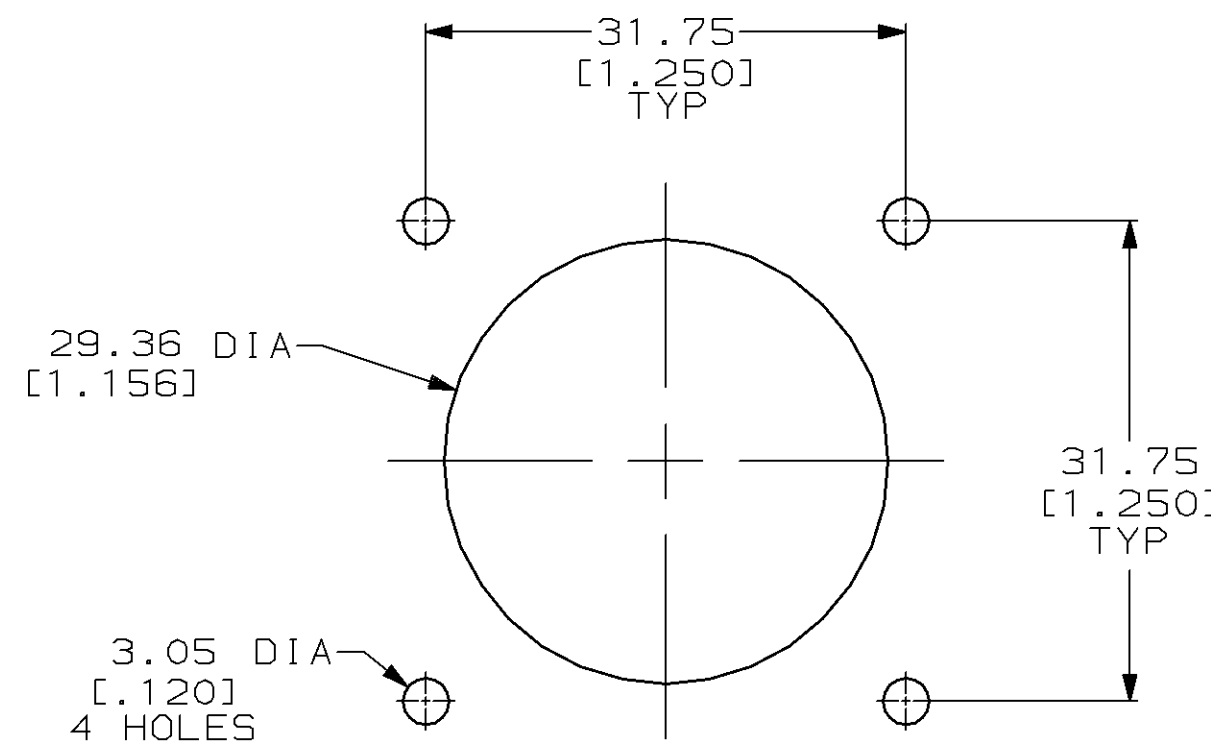
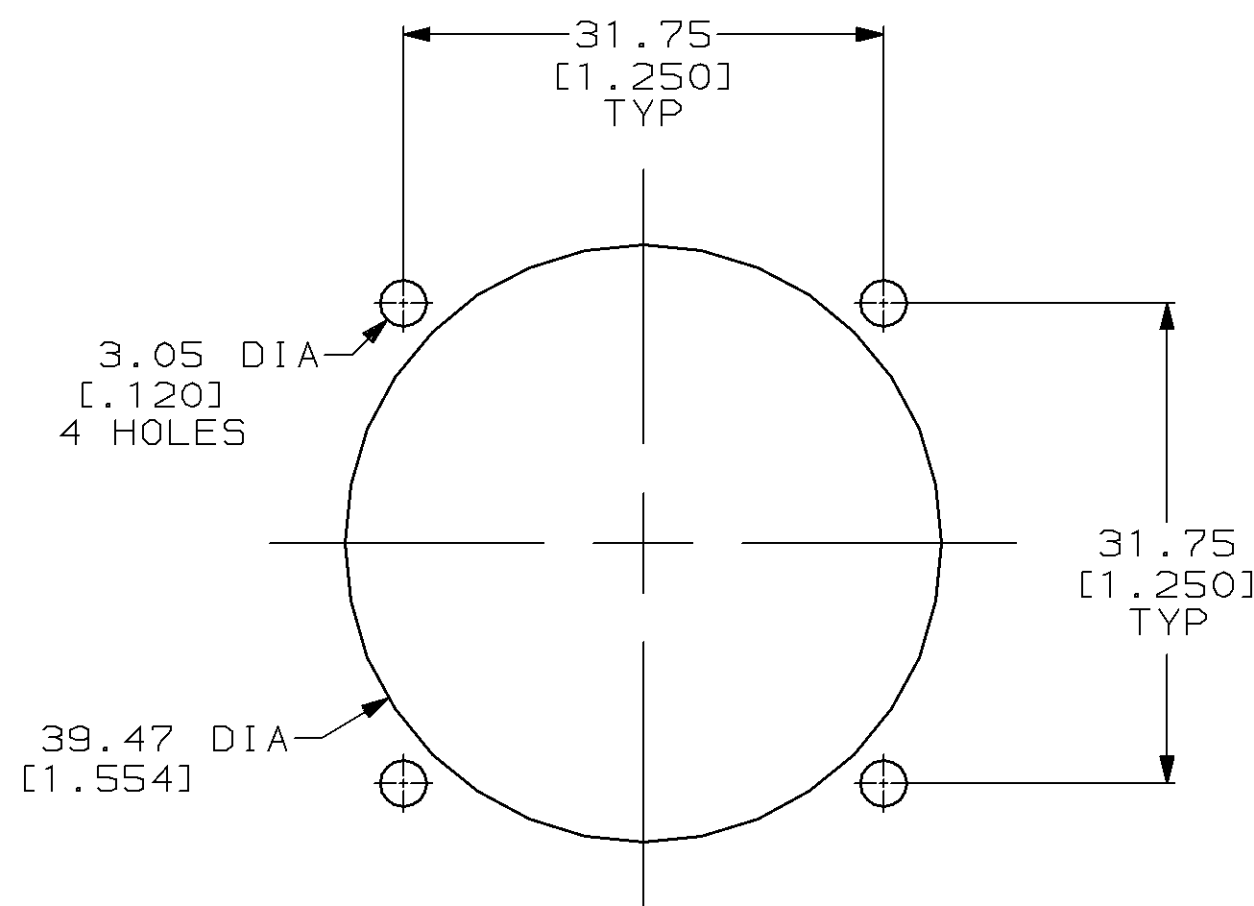
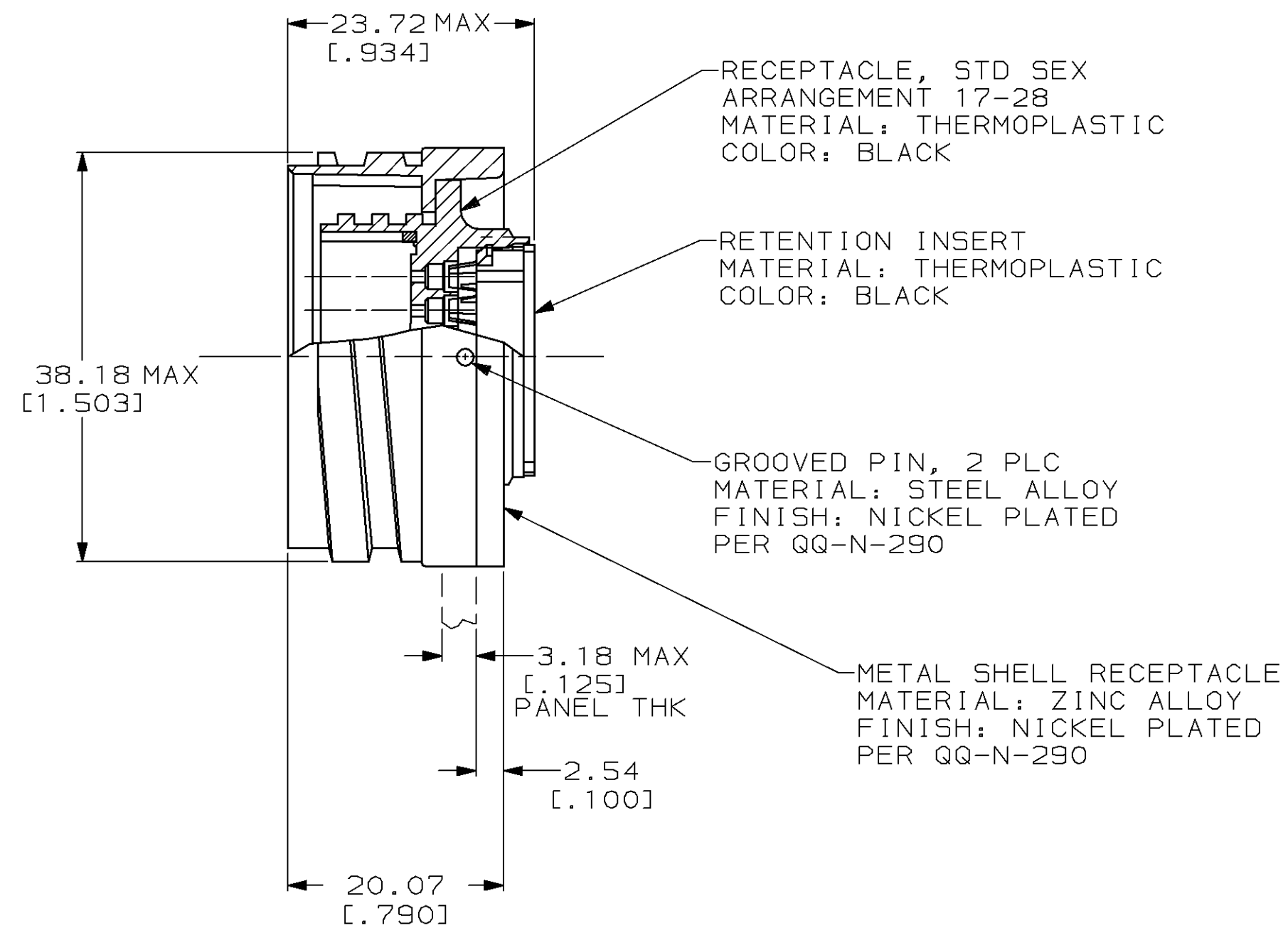
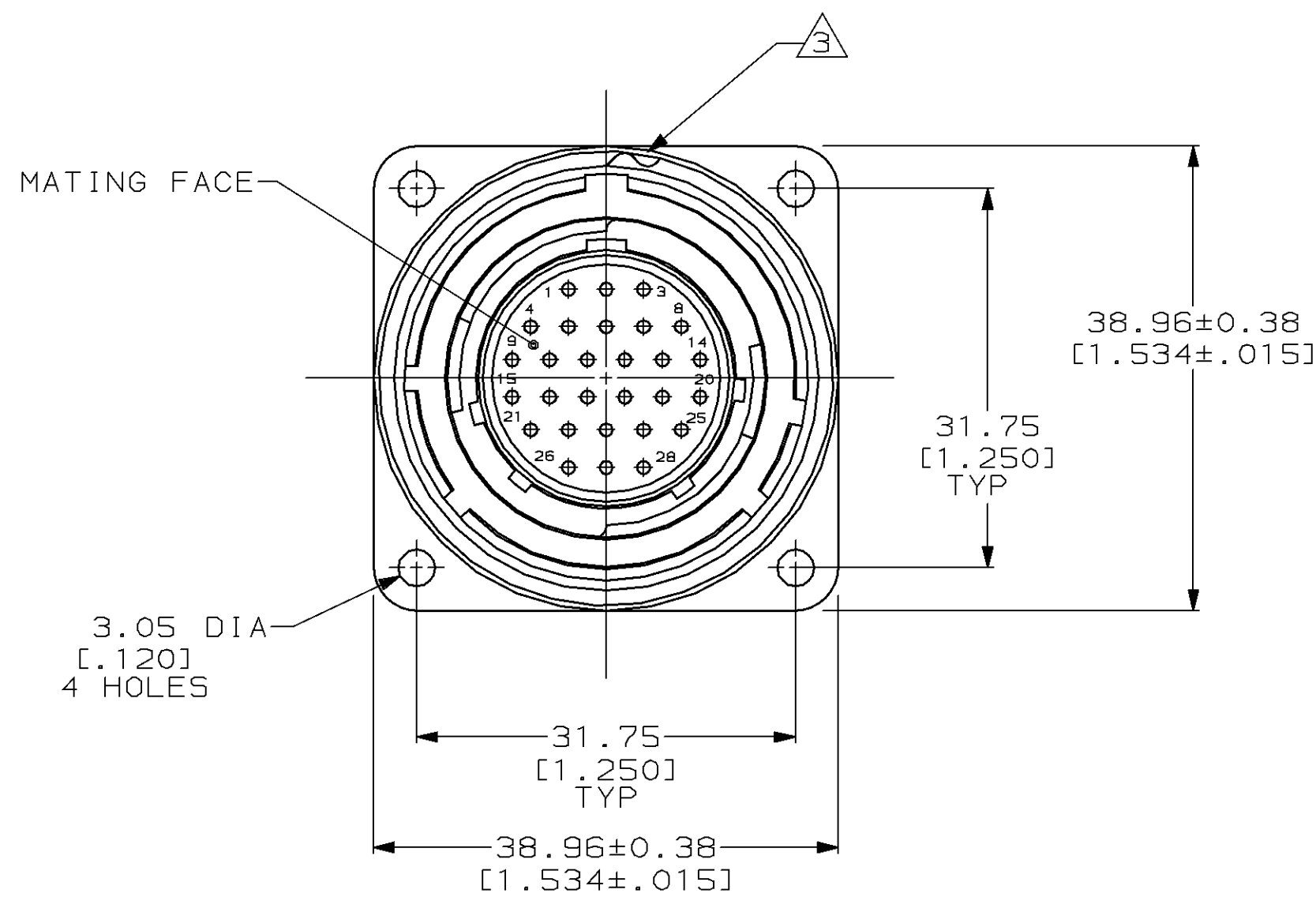


LOC	DIST	P	F	ZONE	LTR	DESCRIPTION	DATE	APPD
BD	35				G	REDRAWN W/O CHANGE PER EC 0020-774-94	09/08/94	AF
					H	OBS -2 PER EC 0020-0136-95	17 JUL 95	AF



FRONT MOUNTED PANEL CUTOUT

REAR MOUNTED PANEL CUTOUT

- THIS RECEPTACLE MATES WITH AMP PLUG 208490-1.
  - THIS RECEPTACLE ACCEPTS TWENTY EIGHT TYPE 20 DF OR TYPE 20 DM PIN CONTACTS. MAXIMUM WIRE INSULATION DIA =1.73 [.068].
- △ AMP PART NUMBER AND DATE CODE TO BE LOCATED ON EDGE OF FLANGE.

OBSOLETE	YES	208491-2
	NO	208491-1
PERIPHERAL SEAL		PART NO

DO NOT SCALE PRINT. UNLESS SPECIFIED DIMENSIONS IN mm [INCHES] TOLERANCES ON : 2 PLC DEC ±0.25 [.010] 3 PLC DEC ± - ANGLES ± -	DR 09/08/94 M.BINNER	AMP Incorporated Harrisburg, PA 17105-3608		
	CHK 9-26-94 R.STONE			
MATERIAL SEE CALLOUT	APPD 9-30-94 A.FRANTUM	NAME RECEPTACLE ASSEMBLY, 22-28, STANDARD SEX, CMC		
FINISH SEE CALLOUT	APPD 9-30-94 A.FRANTUM	SIZE C	CAGE CODE 00779	DRAWING NO C=208491
	APPLICATION SPEC -	SCALE 2:1		SHEET 1 OF 1
	WEIGHT -			

THIS DRAWING IS A CONTROLLED DOCUMENT FOR AMP INCORPORATED. IT IS SUBJECT TO CHANGE AND THE CONTROLLING ENGINEERING ORGANIZATION SHOULD BE CONTACTED FOR THE LATEST REVISION.

单击下面可查看定价，库存，交付和生命周期等信息

[>>TE Connectivity\(泰科\)](#)