

LOC		DIST		REVISIONS			
GP	00	P	LTR	DESCRIPTION	DATE	DRN	APVD
		A		NEW RELEASE	09JUL2007	RG	PD

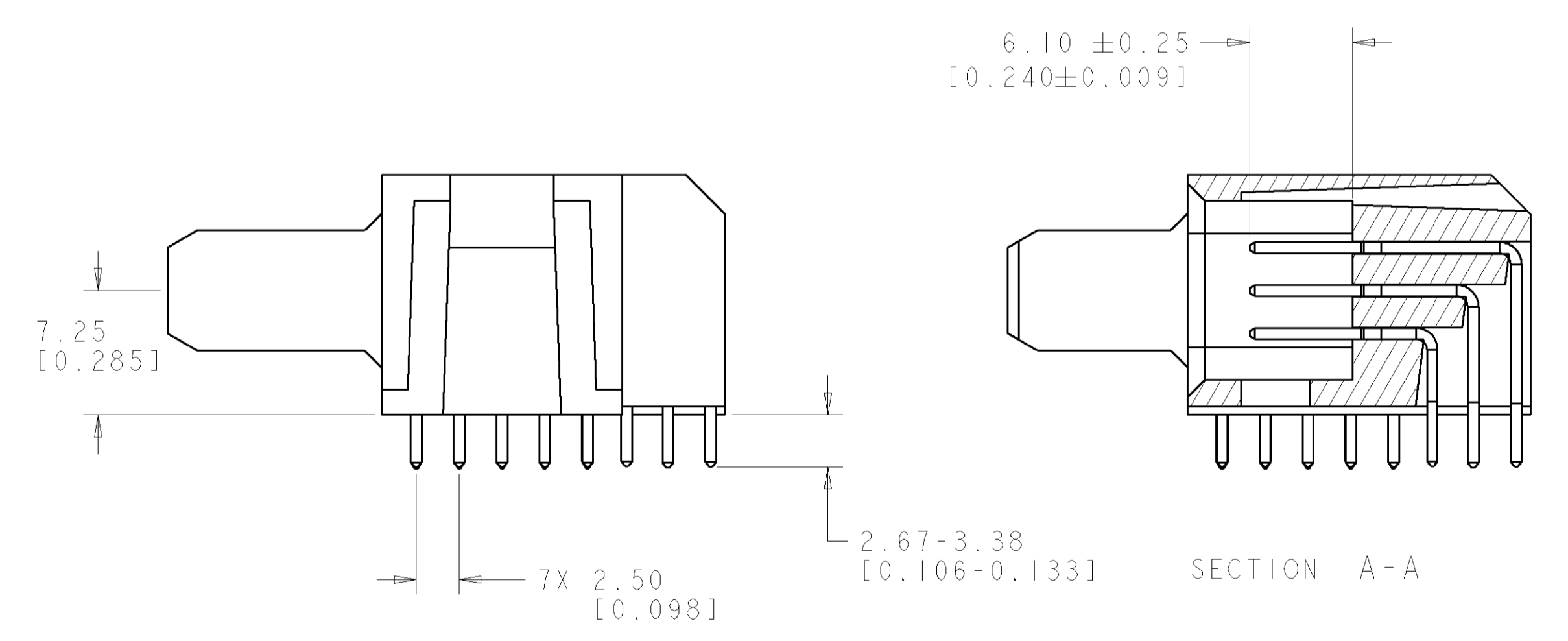
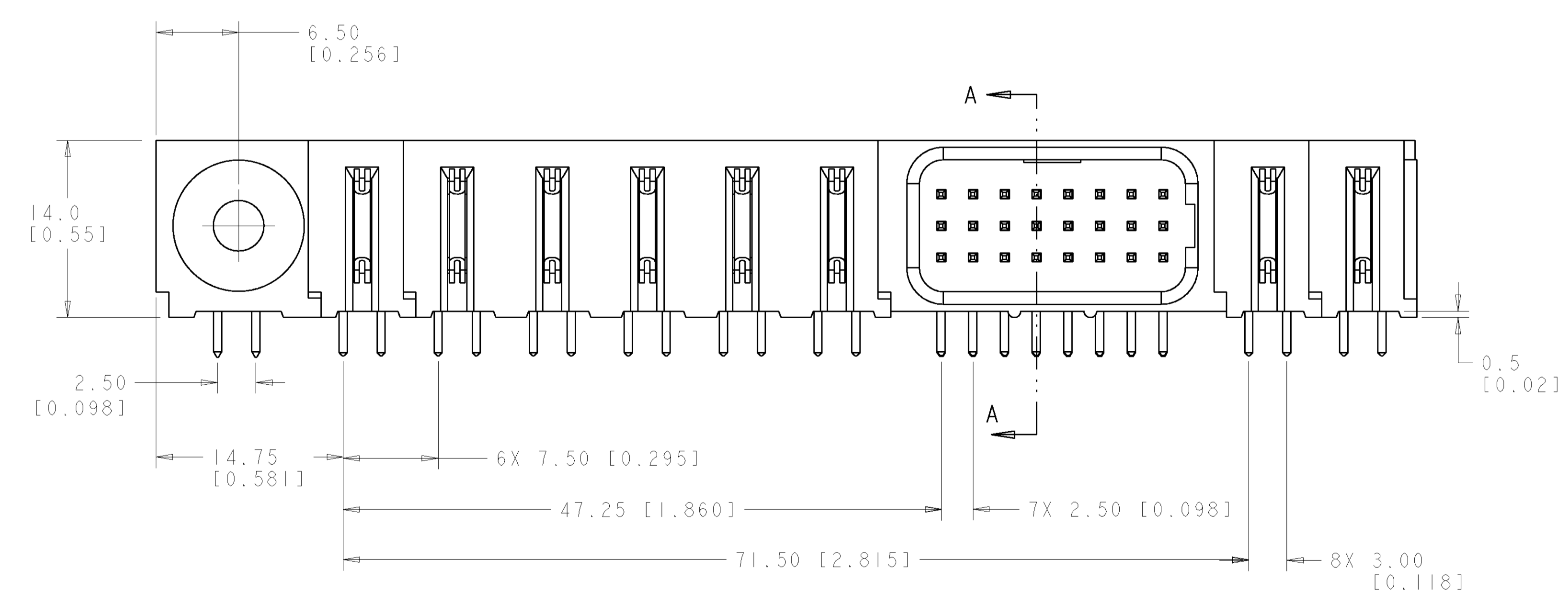
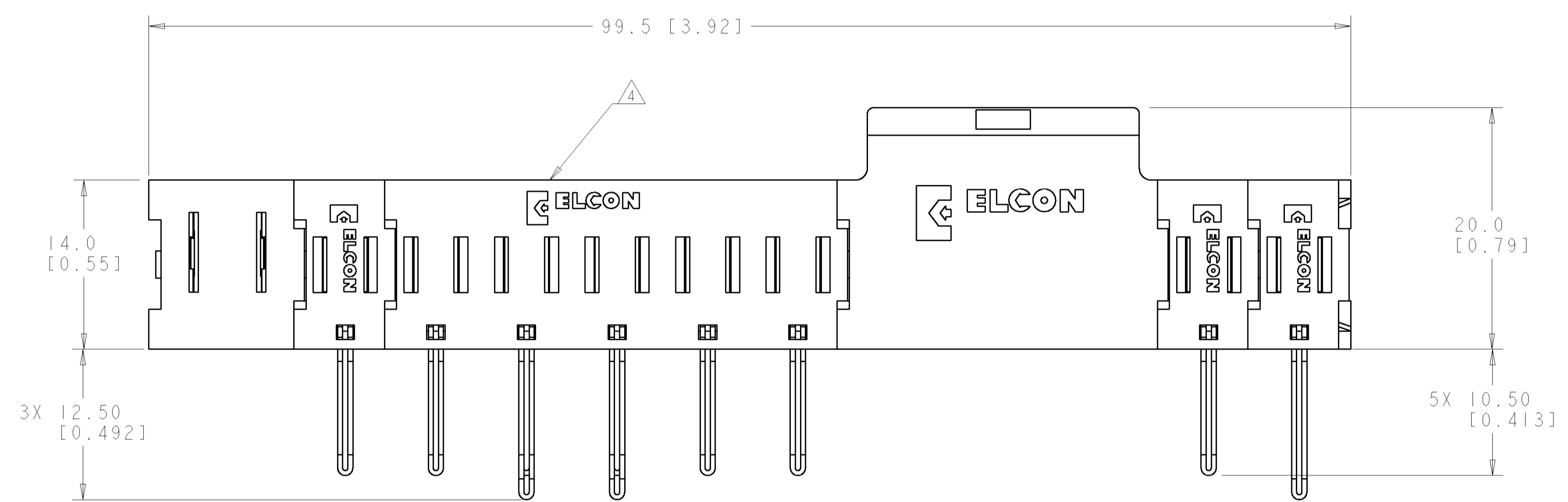
1. PART NUMBER CHANGES AND OR DESIGN CHANGES AFFECTING ITEM INTERCHANGEABILITY REQUIRE PRIOR TYCO ELECTRONICS APPROVAL AND AUTHORIZATION BY REVISION TO THIS DRAWING.

2. MATERIAL:  
 INSULATORS - THERMOPLASTIC, GLASS REINFORCED, COLOR: BLACK, UL94V-0 FLAMMABILITY RATED.  
 SIGNAL CONTACTS: PHOSPHOR BRONZE ALLOY  
 POWER CONTACTS - PHOSPHOR BRONZE ALLOY, COPPER ALLOY  
 CROWN BANDS: BERYLLIUM COPPER ALLOY

3. FINISH:  
 CONTACTS - GOLD PLATE 0.76µm MIN. THK., OVER NICKEL 1.27µm MIN. THK.  
 SOLDER TAILS, TIN 3.05µm MIN. THK. OVER NICKEL 1.27µm MIN. THK.

△ ITEMS PROVIDED TO THIS SPECIFICATION TO BE PERMANENTLY IDENTIFIED PER THE FOLLOWING IDENTIFIER LABEL

TYCO ELECTRONICS P/N: XXXXXXXX-X  
 DATE CODE (e.g. 0T06): YEAR WEEK  
 XXXX

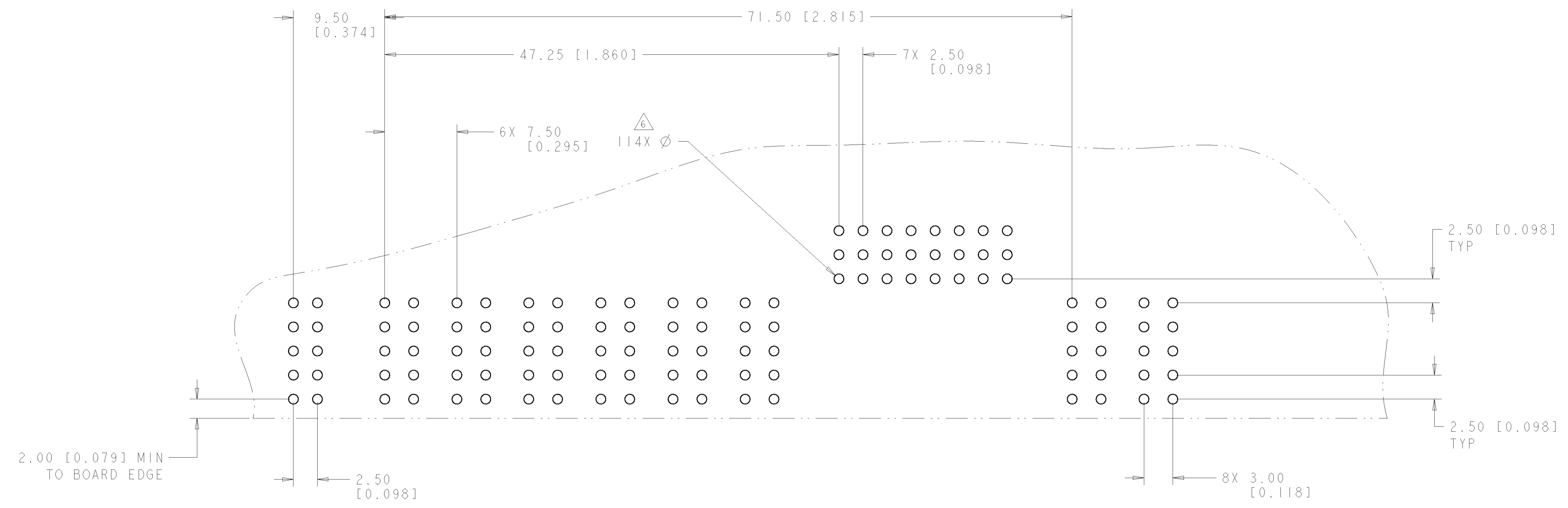


ELCON FLATPAQ

DIMENSIONS:		TOLERANCES UNLESS OTHERWISE SPECIFIED:		DWN: R. GRZYBOWSKI 09JULY07	
mm [INCHES]		0 PLC ±.5 [0.020]		CHK: P. DAMATO 09JULY07	
		1 PLC ±.5 [0.020]		APVD: S. FLICKINGER 09JULY07	
		2 PLC ±.5 [0.020]		NAME: S. FLICKINGER	
		3 PLC ±.5 [0.020]		PRODUCT SPEC:	
		4 PLC ±.5 [0.020]		APPLICATION SPEC:	
		ANGLES ±.5		WEIGHT:	
MATERIAL:		FINISH:		CUSTOMER DRAWING	

AS SHOWN	1766719-1
DESCRIPTION	PART NUMBER
Tyco Electronics Harrisburg, PA 17105-3608	
PIN CONNECTOR ASSEMBLY RIGHT ANGLE SOLDER TAILS	
SIZE: A	CAGE CODE: 1766719
SCALE: 3:1	SHEET 1 OF 3
REV: A	

LOC	DIST	REVISIONS			
P	LTR	DESCRIPTION	DATE	DWN	APVD
-	-	SEE SHEET 1	-	-	-

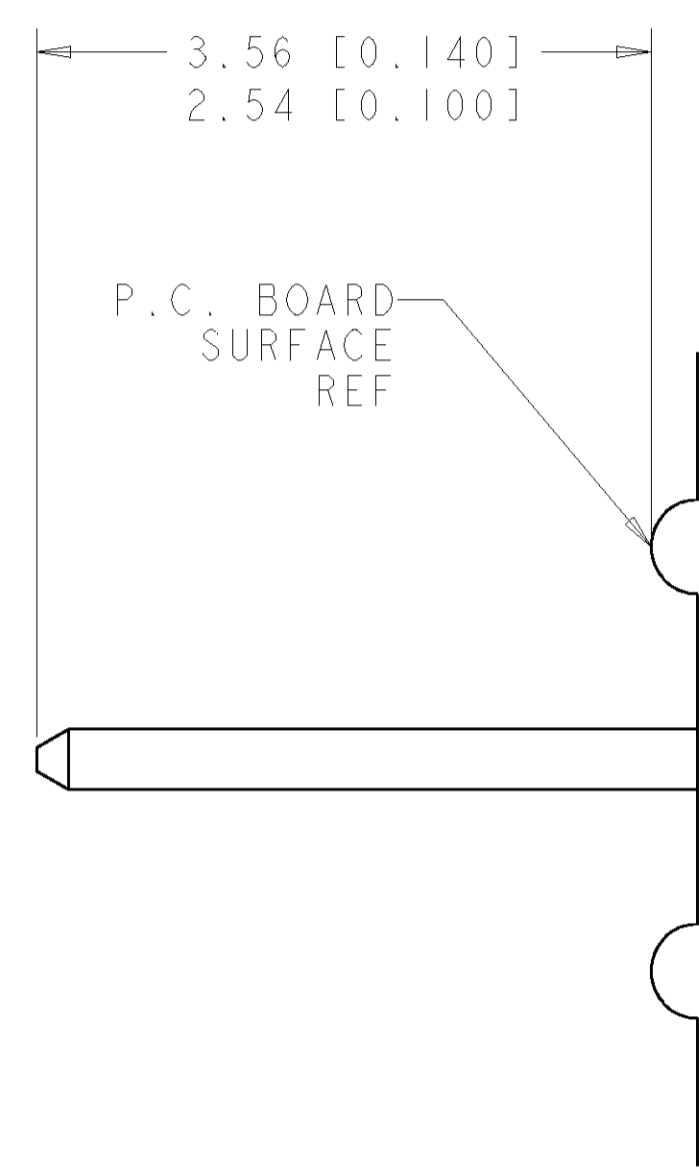


PRINTED CIRCUIT LAYOUT  
 COMPONENT SIDE

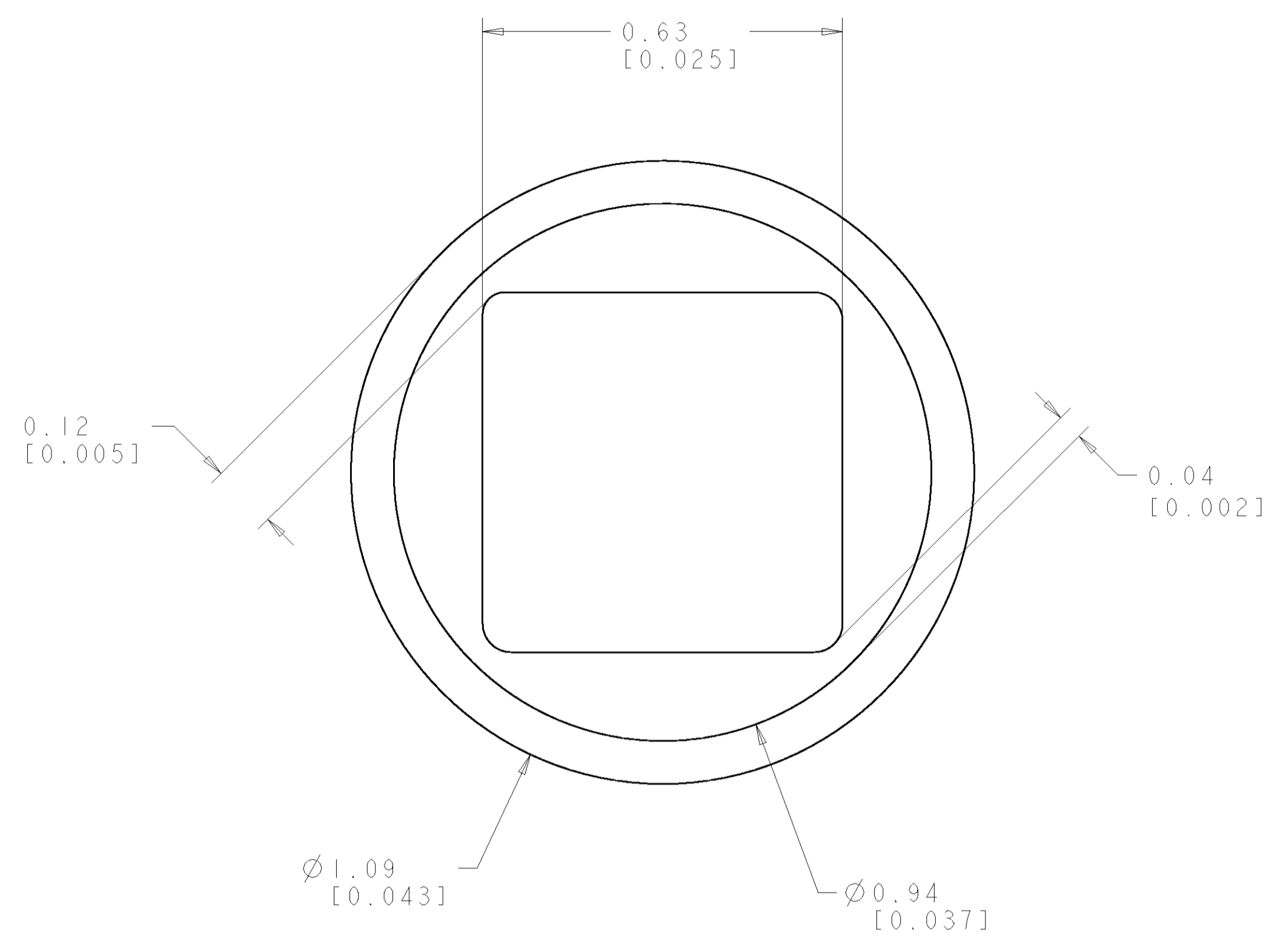
CONNECTOR	CATALOG MODULE #	QTY	SIZE NO.	CONTACT QTY	MATING PIN	MAX. CURRENT (PER CONTACT)	CONTACT SPACING	VOLTAGE RATING
PIN	FP302	1	22	24	.64 [0.025] SQ.	3 amps	2.50 [0.0984]	125
	FP152	3	8	3	1.25 X 7.00 [0.049 X .276]	35 amps	7.50 [0.2953]	250
	FP151	5	8	5	1.25 X 7.00 [0.049 X .276]	35 amps	7.50 [0.2953]	250
	FP516	1	RIGHT ANGLE GUIDE SOCKET					

<small>THIS DRAWING IS UNPUBLISHED. RELEASED FOR PUBLICATION BY TYCO ELECTRONICS CORPORATION. ALL RIGHTS RESERVED.</small> DIMENSIONS: mm [INCHES] TOLERANCES UNLESS OTHERWISE SPECIFIED: 0 PLC ±.5 [0.020] 1 PLC ±.5 [0.020] 2 PLC ±.25 [0.010] 3 PLC ±.25 [0.010] 4 PLC ±.25 [0.010] ANGLES ±.5 FINISH		DWN: B. GRZYBOWSKI 09JULY07 CHK: P. DAMATO 09JULY07 APVD: S. FLICKINGER 09JULY07 PRODUCT SPEC: - APPLICATION SPEC: - WEIGHT: - CUSTOMER DRAWING	Tyco Electronics Harrisburg, PA 17105-3608 NAME: PIN CONNECTOR ASSEMBLY RIGHT ANGLE SOLDER TAILS SIZE: A   00779   C=1766719 SCALE: 3:1 SHEET 2 OF 3 REV A
---	--	---	--

LOC	DIST	REVISIONS					
GP	00	P.	LTR	DESCRIPTION	DATE	DWN	APVD
-	-	-	-	SEE SHEET 1	-	-	-



5. SOLDER PIN DETAIL  
SCALE 10 : 1



6. SOLDER TERMINATION AREA  
 SCALE 40:1  
 RECOMMENDED PRINTED CIRCUIT HOLE  
 FINISHED HOLE: Ø1.02 [0.040] ±.08 [0.003]  
 DRILLED HOLE: Ø1.15 [0.0453] ±.013 [0.0005]  
 COPPER PLATE: .025 [0.0010] MIN (PER SURFACE)  
 TIN PLATE: .008 [0.0003] MIN. (PER SURFACE)

ELCON FLATPAQ

<small>THIS DRAWING IS UNPUBLISHED. RELEASED FOR PUBLICATION. ALL RIGHTS RESERVED. © 2000 BY TYCO ELECTRONICS CORPORATION.</small>		DWN: B. GRZYBOWSKI 09JULY07 CHK: P. DAMATO 09JULY07 APVD: S. FLICKINGER 09JULY07	Tyco Electronics Harrisburg, PA 17105-3608
DIMENSIONS: mm [ INCHES ]	TOLERANCES UNLESS OTHERWISE SPECIFIED: 0 PLC ±. 1 PLC ±.5 [0.020] 2 PLC ±.25 [0.010] 3 PLC ±. 4 PLC ±. ANGLES ±.5	NAME: PIN CONNECTOR ASSEMBLY RIGHT ANGLE SOLDER TAILS	SIZE: A   00779   C=1766719 SCALE: 3:1 SHEET 3 OF 3 REV A
MATERIAL: -	FINISH: -	WEIGHT: -	CUSTOMER DRAWING

单击下面可查看定价，库存，交付和生命周期等信息

[>>TE Connectivity\(泰科\)](#)