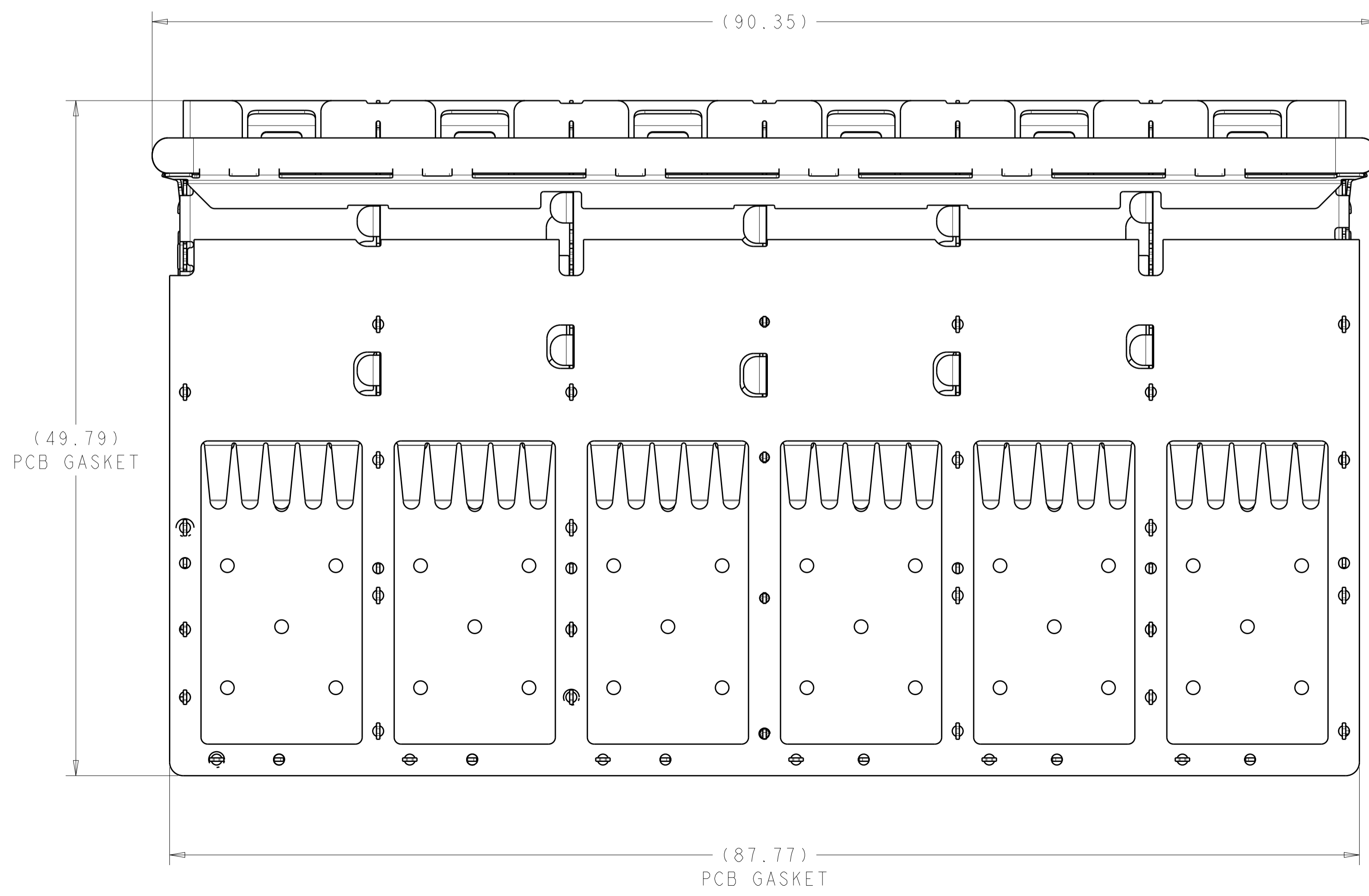
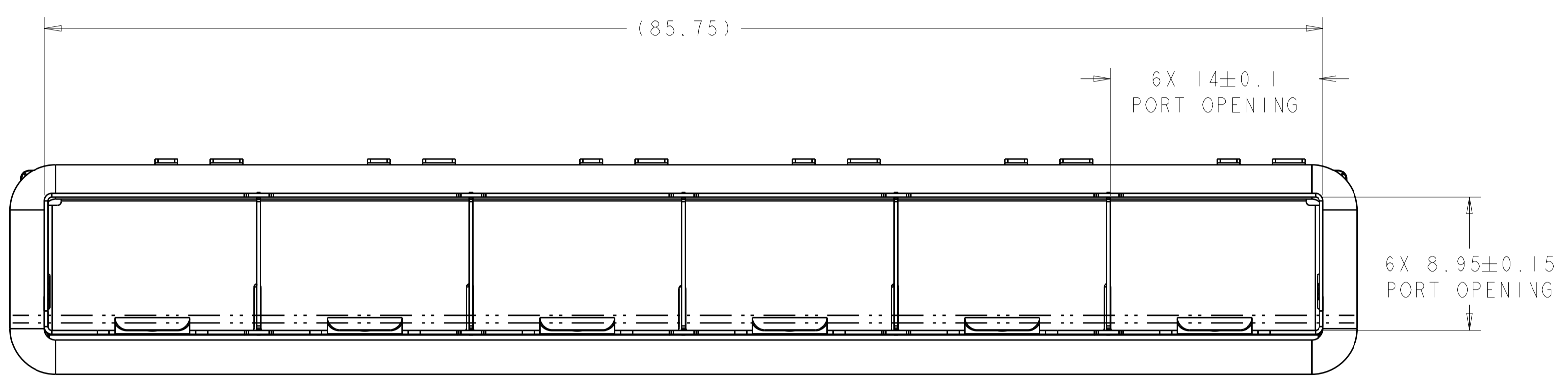
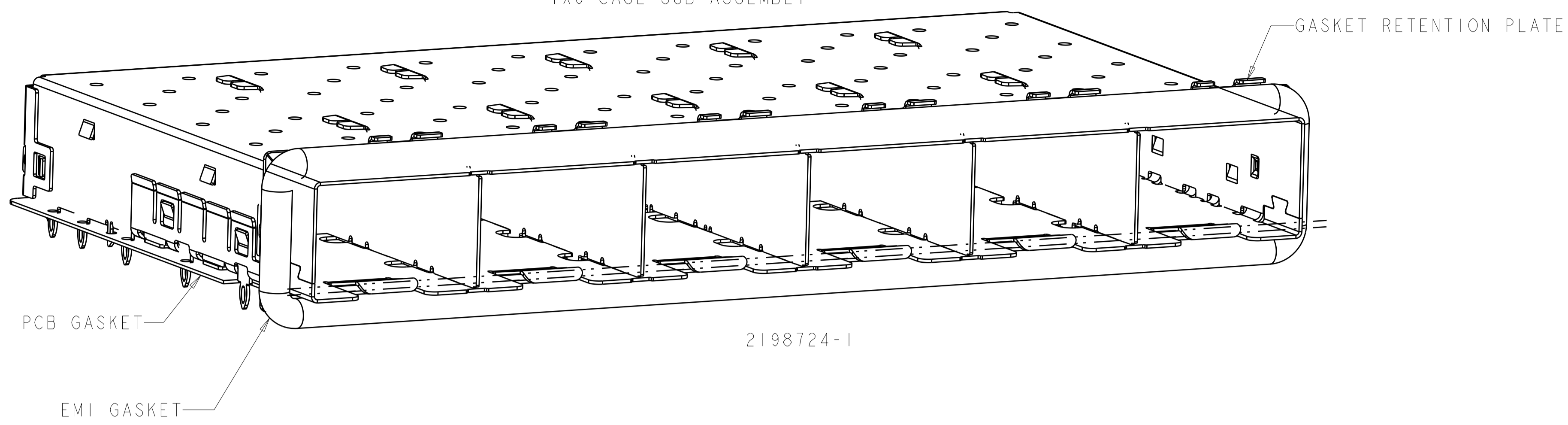
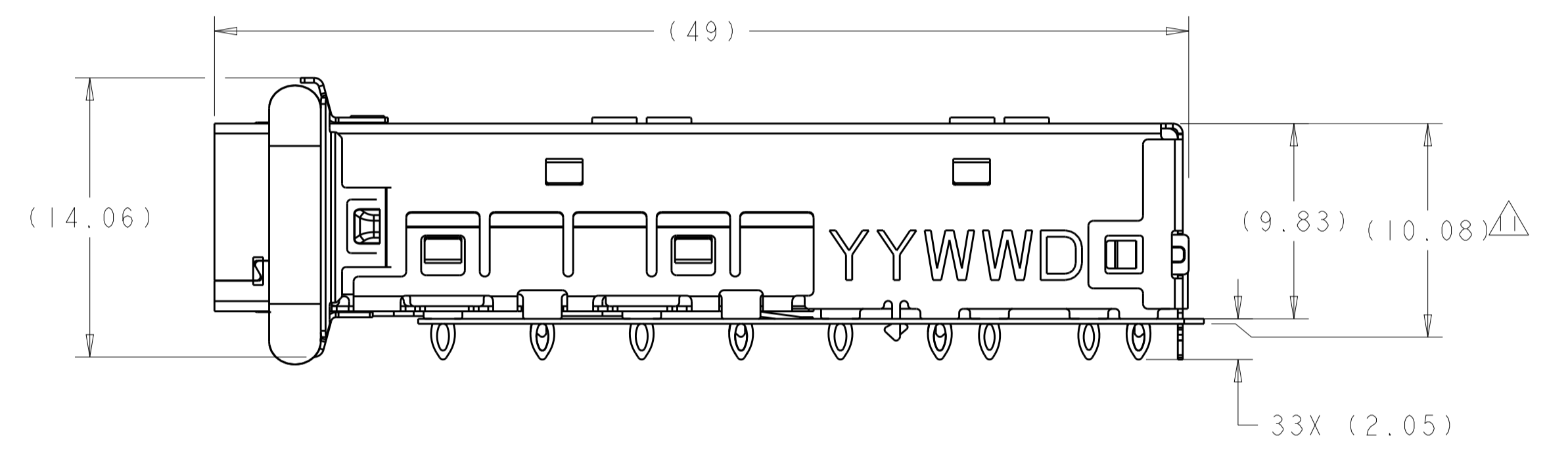


1X6 CAGE SUB-ASSEMBLY



1. MATERIAL:
 CAGE ASSEMBLY: NICKEL SILVER ALLOY
 GASKET RETENTION PLATE: STAINLESS STEEL
 EMI GASKET: PLATED FILLED SILICONE
 PCB GASKET: RF ABSORBER
 2. MINIMUM PC BOARD THICKNESS:
 SINGLE SIDED = 1.45mm
 BELLY TO BELLY = 3mm
 3. PADS AND VIAS CHASSIS GROUND
 4. DATUM AND BASIC DIMENSION ESTABLISHED BY CUSTOMER
 5. MATES WITH SFP MSA COMPLIANT TRANSCEIVERS
 6. INTERPRETATION OF DATUM REFERENCE FRAME IN ACCORDANCE WITH SECT 4.4.1.1 OF ASME Y14.5M-1994
 7. REFERENCE APPLICATION SPEC. 114-13120, HOLE A, FOR RECOMMENDED DRILL HOLE DIAMETER AND PLATING THICKNESS
 8. REFERENCE APPLICATION SPEC. 114-13120, HOLE B, FOR RECOMMENDED DRILL HOLE DIAMETER AND PLATING THICKNESS
 9. HOLE PATTERN REPEATS FOR EACH PORT, SPACING BETWEEN PORTS IS 14.25mm
 10. PRODUCT COMPLIES WITH SPECIFICATION SFF-8433, IMPROVED PLUGGABLE FORM FACTOR FOR SFP+ GANGED CAGES
- CONTACT STANDOFF WILL PIERCE GASKET WHEN PROPERLY PRESSED INTO PCB.

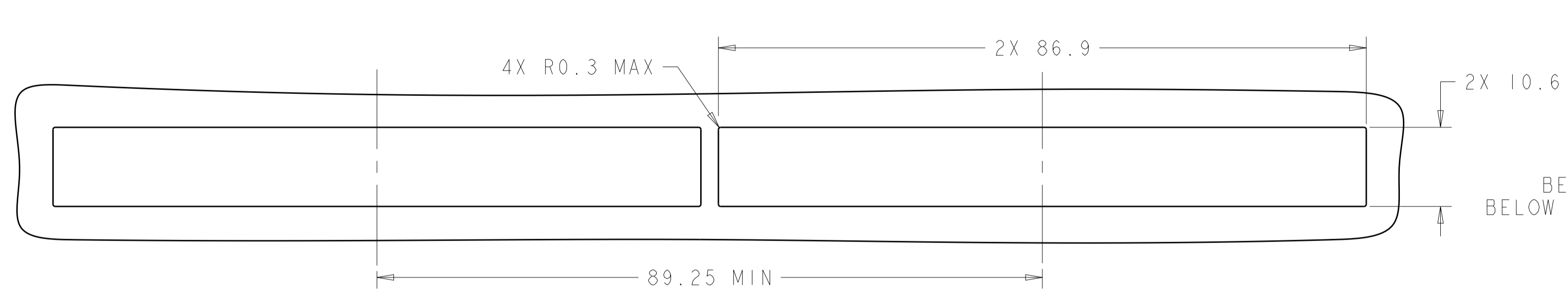


LOC	DIST	REVISIONS					
GP	00	P	LTN	DESCRIPTION	DATE	DWN	APVD
		A		REVISED PER ECO-15-002647	05MAR2015	AP	MS
		B		REVISED PER ECO-16-014593	14FEB2017	JW	SH

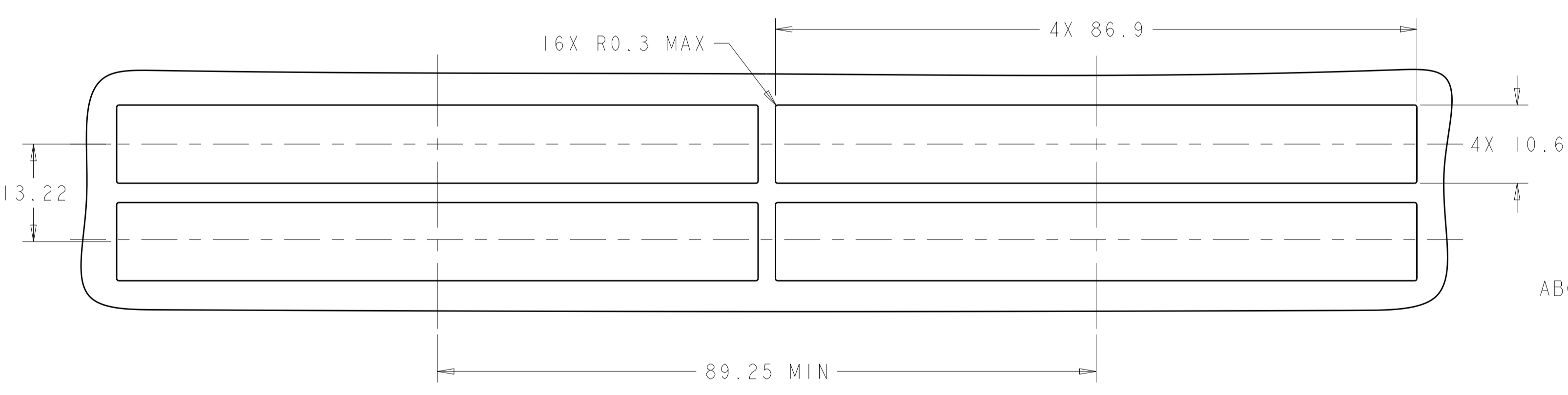
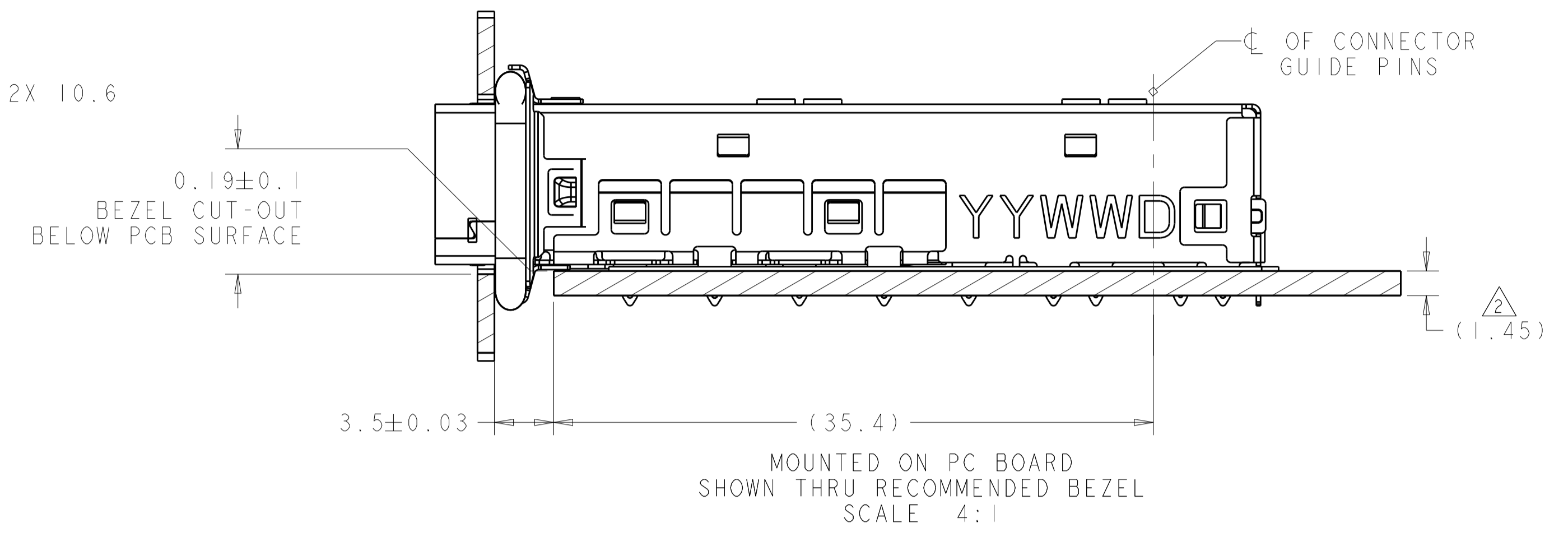
2198724-1
PART NUMBER

THIS DRAWING IS A CONTROLLED DOCUMENT.		DWN: M.E. CONNER 22JAN2013	TE Connectivity	
DIMENSIONS: mm		CHK: M.D. MORRISON 01FEB2013		
TOLERANCES UNLESS OTHERWISE SPECIFIED:		APVD: M.J. PHILLIPS 01FEB2013	NAME: CAGE ASSEMBLY, ENHANCED, PRESS-FIT, 1X6, zSFP+	
0 PLC ±0.1	1 PLC ±0.1	PRODUCT SPEC: 108-2364	SIZE: A1	
2 PLC ±0.08	3 PLC ±0.05	APPLICATION SPEC: 114-13120	CAGE CODE: 100779	
4 PLC ±0.05	ANGLES ±1°	WEIGHT: -	DRAWING NO: C=2198724	
MATERIAL: SEE NOTE 1		FINISH: -	RESTRICTED TO: -	
		Customer Drawing	SCALE: 4:1	SHEET 1 OF 4 REV B

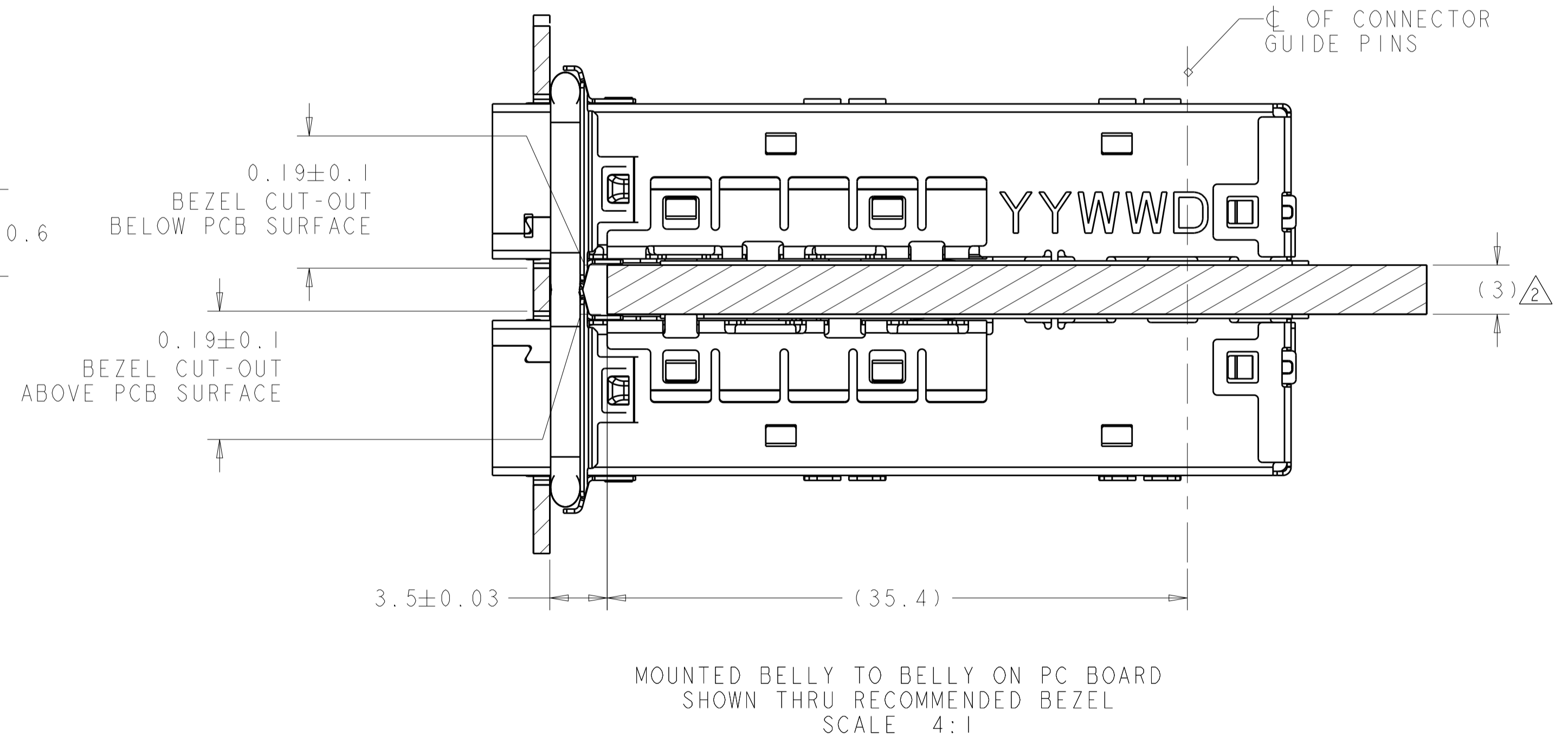
LOC		DIST		REVISIONS			
GP	00	P	LTN	DESCRIPTION	DATE	DMN	APVD
-	-	-	-	SEE SHEET 1	-	-	-



RECOMMENDED BEZEL OPENING
 SINGLE SIDED APPLICATIONS
 SCALE 2:1

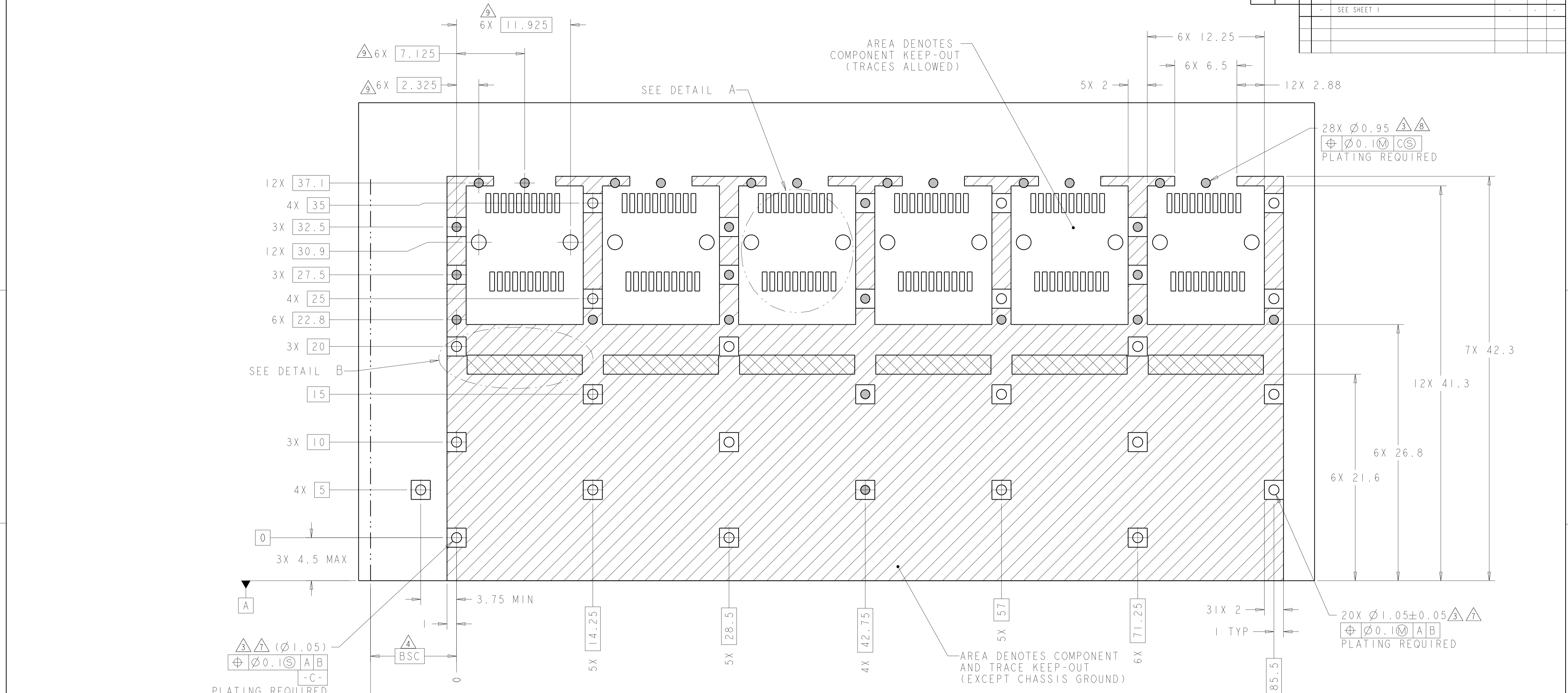


RECOMMENDED BEZEL OPENING
 BELLY TO BELLY APPLICATIONS
 SCALE 2:1

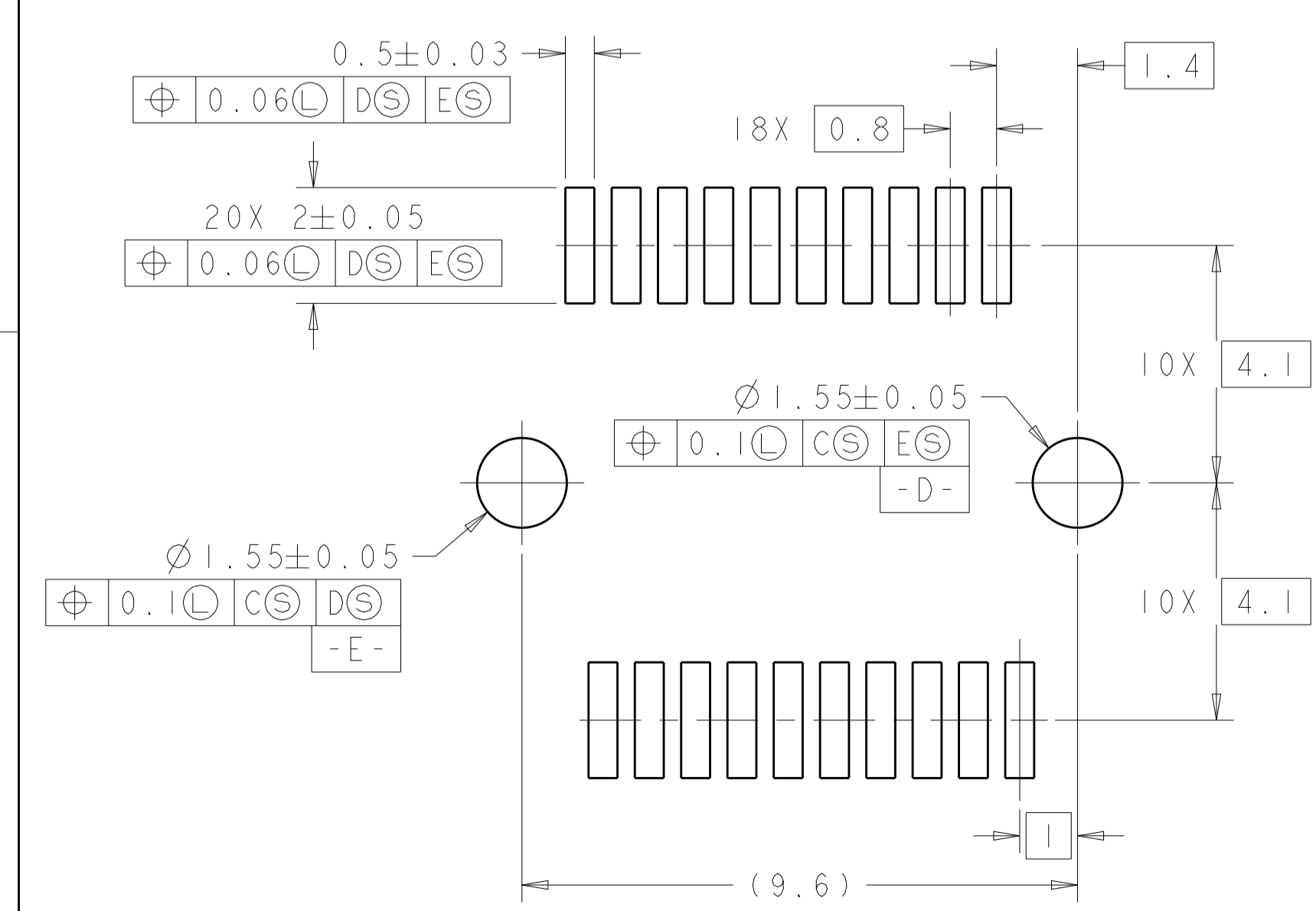


THIS DRAWING IS A CONTROLLED DOCUMENT.		DMN M.E. CONNER 22JAN2013	TE Connectivity
DIMENSIONS: mm		CHK M.D. MORRISON 01FEB2013	
TOLERANCES UNLESS OTHERWISE SPECIFIED:		APVD M.J. PHILLIPS 01FEB2013	NAME CAGE ASSEMBLY, ENHANCED, PRESS-FIT, 1X6, zSFP+
0 PLC ±0.1	1 PLC ±0.1	PRODUCT SPEC 108-2364	SIZE CAGE CODE DRAWING NO RESTRICTED TO
2 PLC ±0.08	3 PLC ±0.05	APPLICATION SPEC 114-13120	A100779C=2198724
4 PLC ±	ANGLES ±°	WEIGHT	SCALE 4:1 SHEET 2 OF 4 REV B
MATERIAL SEE NOTE 1	FINISH	Customer Drawing	

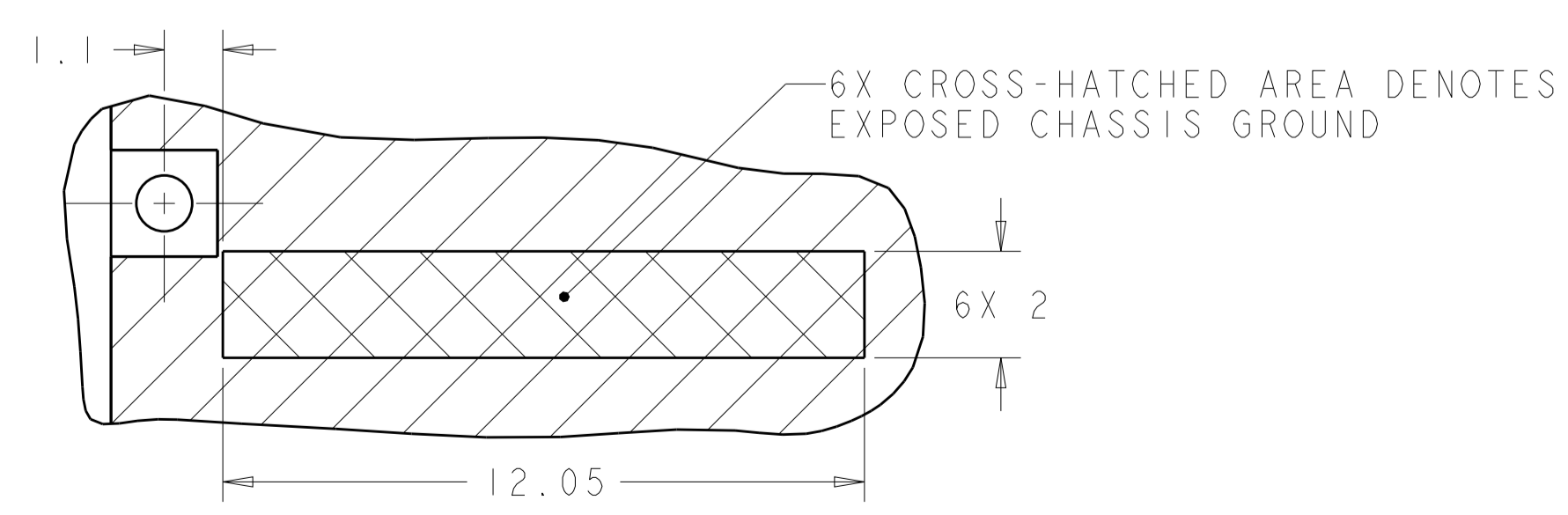
LOC	DIST	REVISIONS					
GP	00	P	LTN	DESCRIPTION	DATE	DMN	APVD
		-	-	SEE SHEET 1	-	-	-



RECOMMENDED PCB CONFIGURATION
 WITH KEEP-OUT AREAS FOR SINGLE SIDED APPLICATIONS
 SCALE 5:1



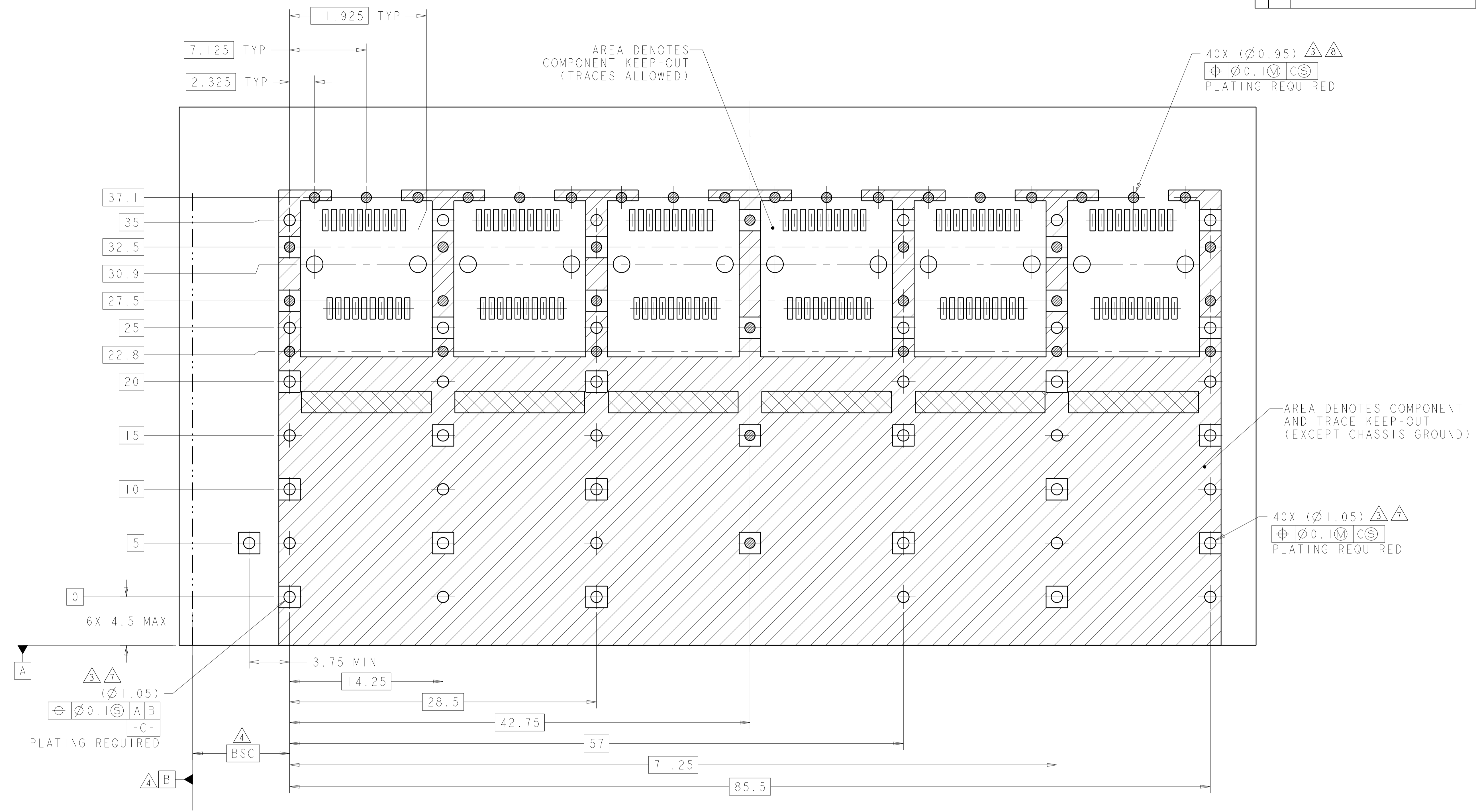
DETAIL A
 RECOMMENDED PT CONNECTO LAYOUT
 SCALE 10:1



DETAIL B
 SCALE 8:1

THIS DRAWING IS A CONTROLLED DOCUMENT.		DMN M.E. CONNER 22JAN2013	TE Connectivity CAGE ASSEMBLY, ENHANCED, PRESS-FIT, 1X6, zSFP+
DIMENSIONS: mm		CHK M.D. MORRISON 01FEB2013	
TOLERANCES UNLESS OTHERWISE SPECIFIED:		APVD M.J. PHILLIPS 01FEB2013	NAME
0 PLC ±0.1	1 PLC ±0.1	PRODUCT SPEC	SIZE
2 PLC ±0.08	3 PLC ±0.05	108-2364	CAGE CODE
4 PLC ±0.05	ANGLES ±1°	APPLICATION SPEC	DRAWING NO
MATERIAL SEE NOTE 1	FINISH	114-13120	RESTRICTED TO
Customer Drawing		WEIGHT	A100779C=2198724
SCALE 4:1		SHEET 3 OF 4	REV B

LOC	DIST	REVISIONS			
P	LTN	DESCRIPTION	DATE	DMN	APVD
-	-	SEE SHEET 1	-	-	-



RECOMMENDED PCB CONFIGURATION
 WITH KEEP-OUT AREAS FOR BELLY TO BELLY APPLICATIONS
 SAME AS SINGLE SIDED APPLICATIONS, EXCEPT AS SHOWN
 SCALE 5:1

THIS DRAWING IS A CONTROLLED DOCUMENT.		DMN: M.E. CONNER 22JAN2013	TE Connectivity
DIMENSIONS: mm		CHK: M.D. MORRISON 01FEB2013	
TOLERANCES UNLESS OTHERWISE SPECIFIED: 0 PLC ±0.1 1 PLC ±0.1 2 PLC ±0.08 3 PLC ±0.05 4 PLC ± ANGLES ±°		APVD: M.J. PHILLIPS 01FEB2013	NAME: CAGE ASSEMBLY, ENHANCED, PRESS-FIT, 1X6, zSFP+
MATERIAL: SEE NOTE 1		PRODUCT SPEC: 108-2364	SIZE: A100779C=2198724
		APPLICATION SPEC: 114-13120	RESTRICTED TO: -
		WEIGHT: -	SCALE: 4:1 SHEET 4 OF 4 REV B
		Customer Drawing	

单击下面可查看定价，库存，交付和生命周期等信息

[>>TE Connectivity\(泰科\)](#)