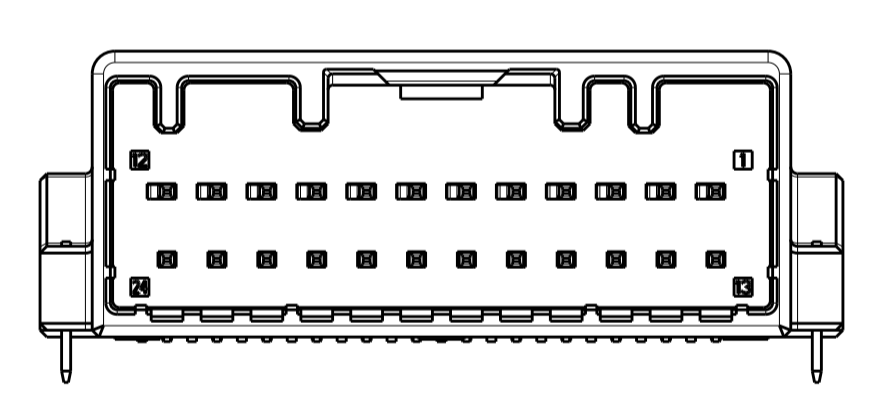
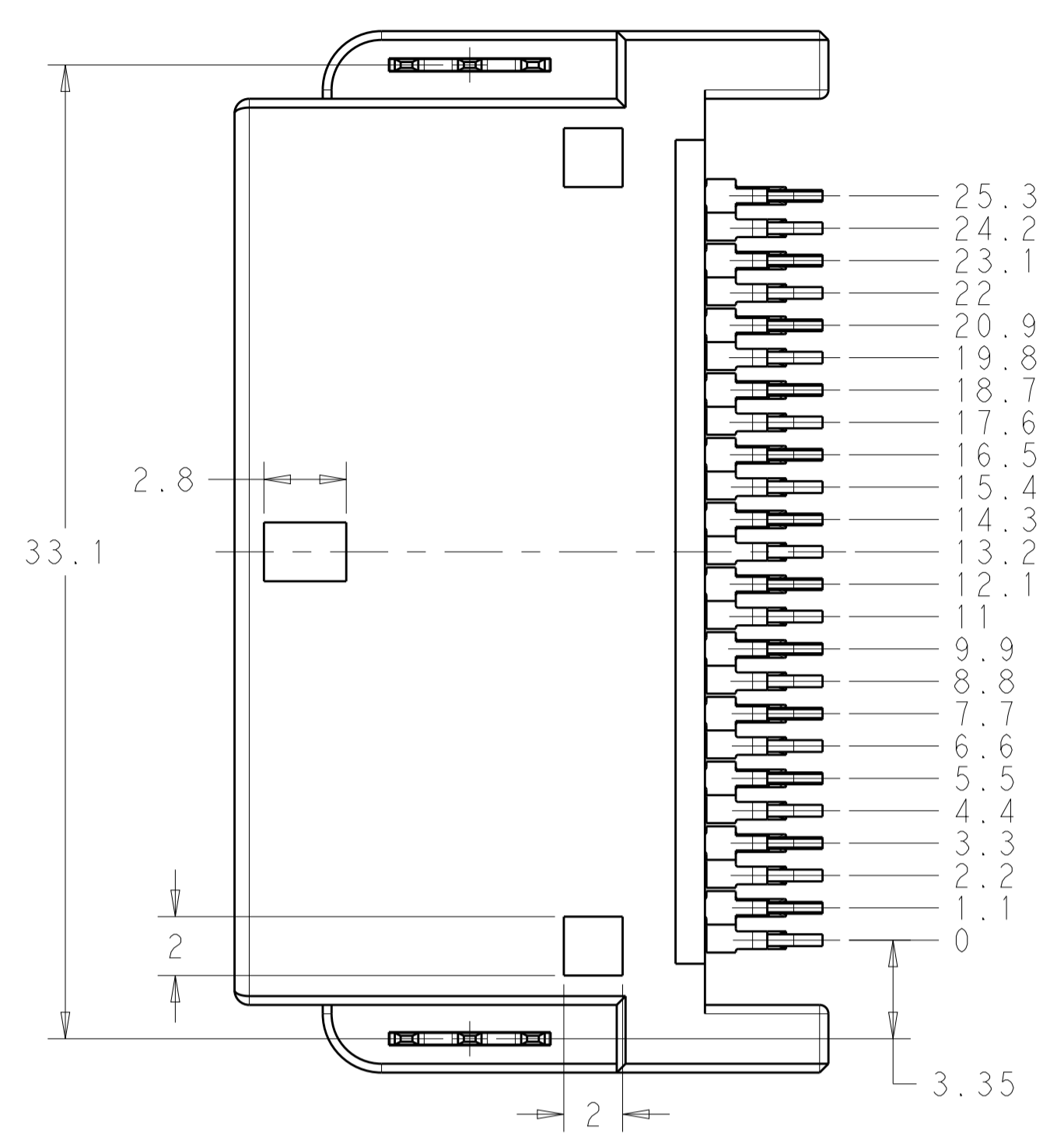
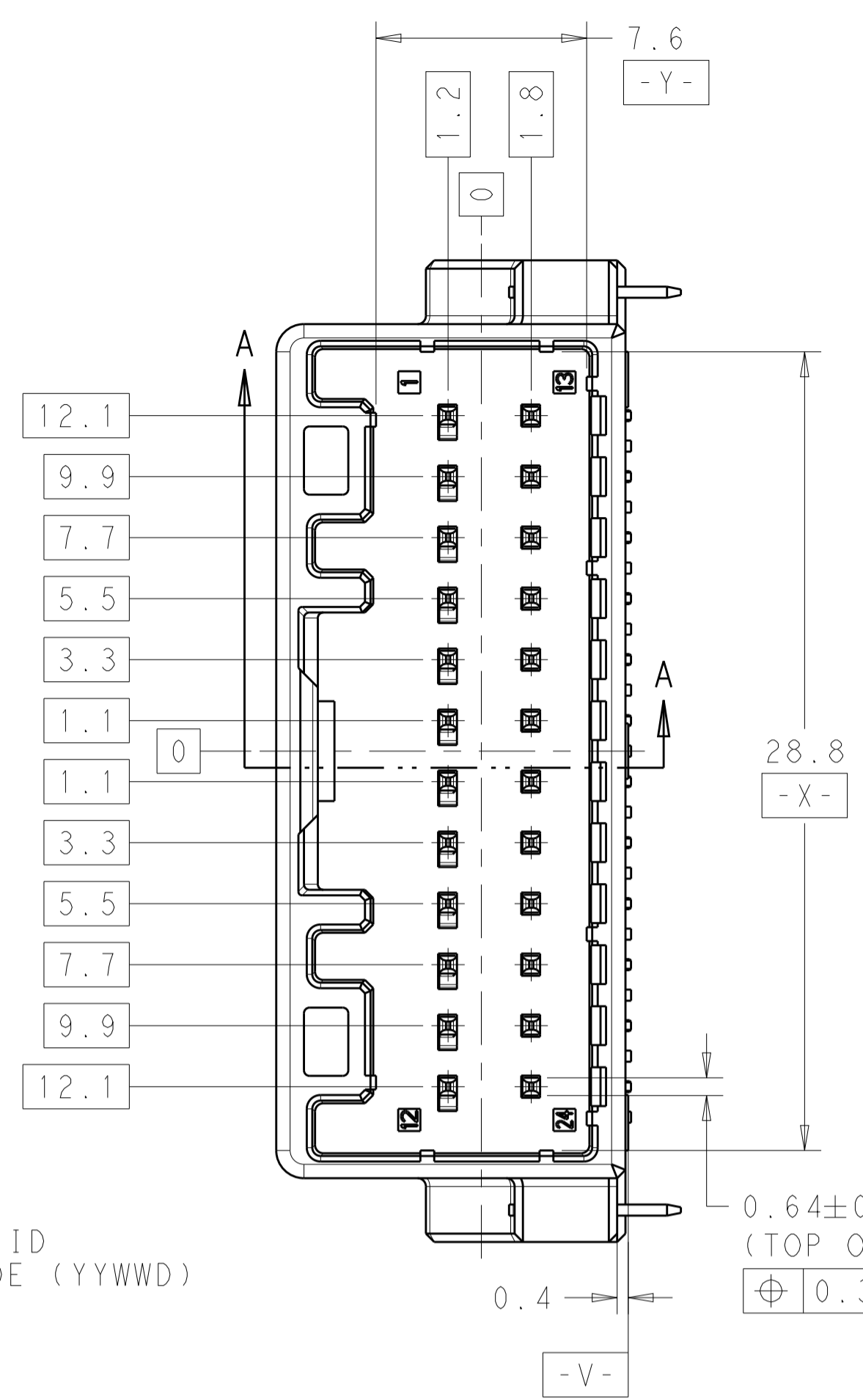
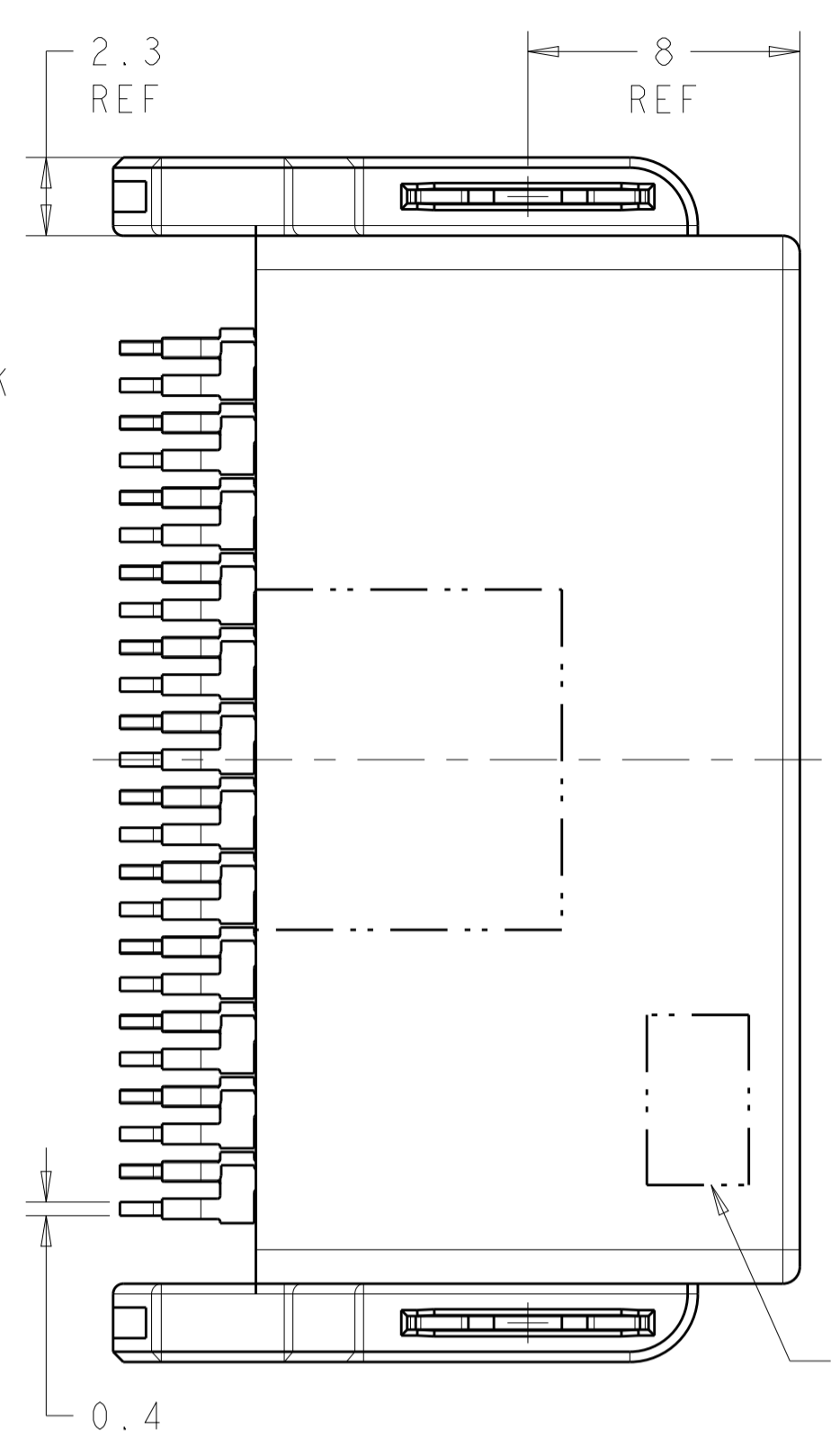
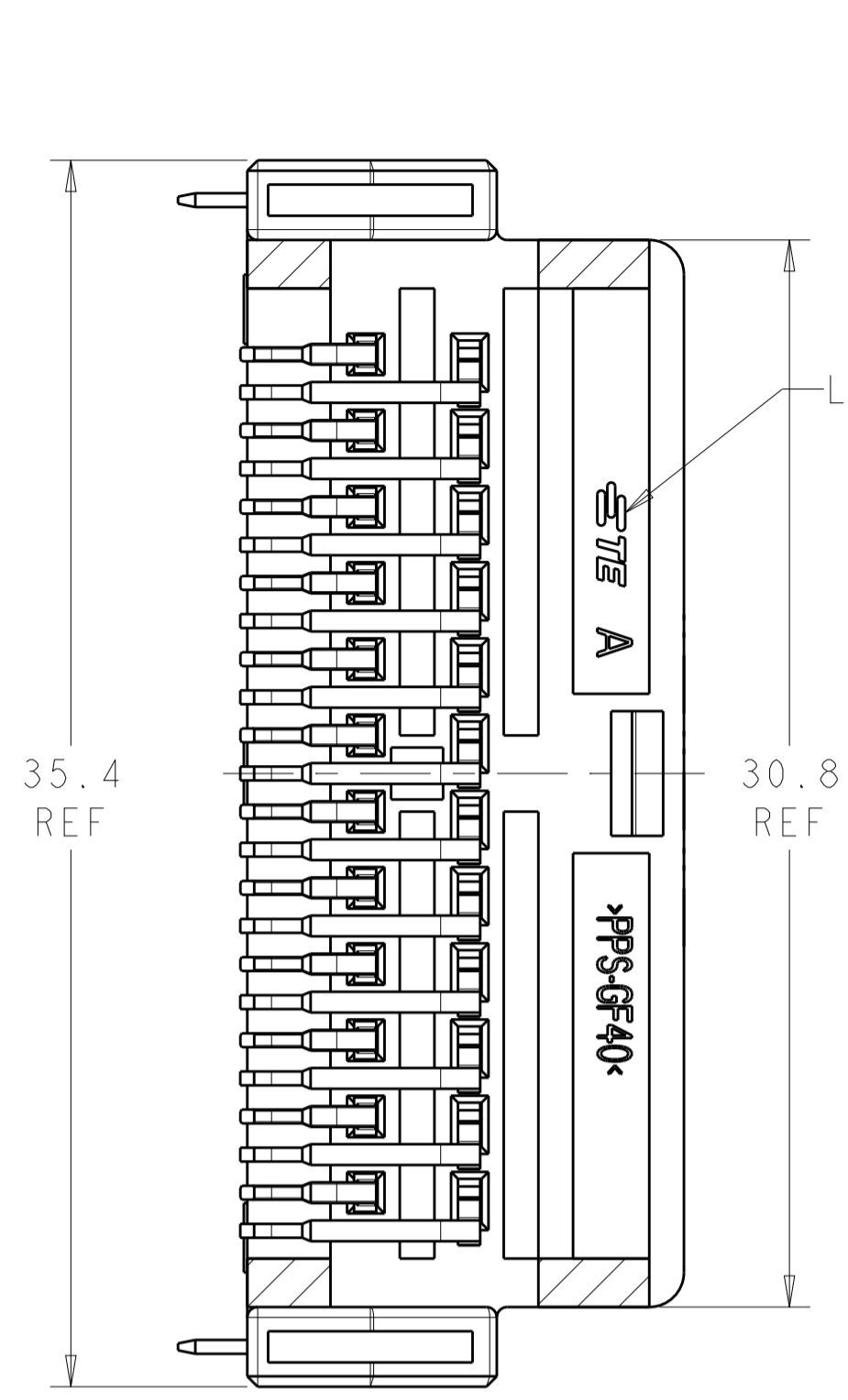
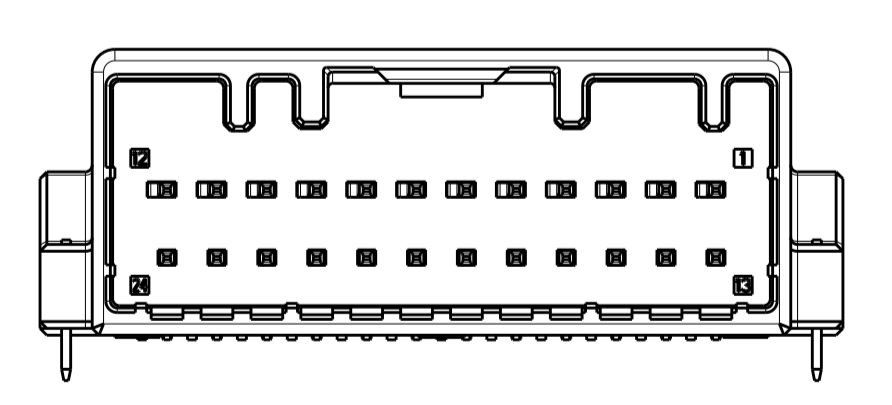


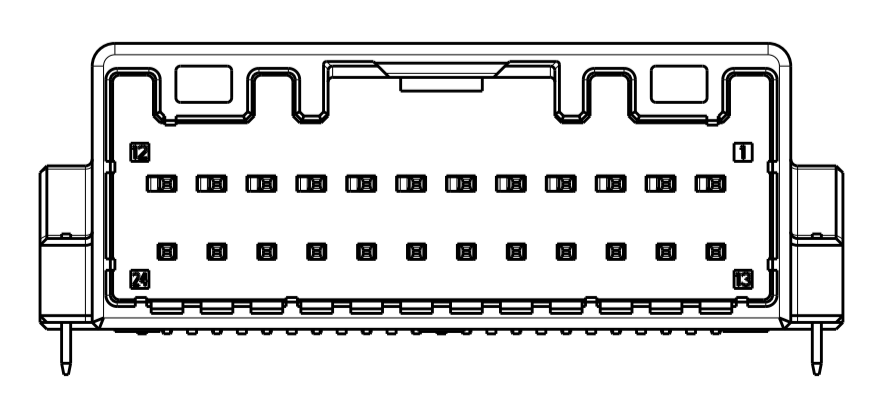
REVISIONS				
REV	LTN	DESCRIPTION	DATE	APP'D
A	NPR ECR-16-010809		21JUL2016	JC JL
A1	REVISED ECR-18-006484		14JUN2018	JC LSF
B	REVISED ECR-18-012315		21NOV2018	JC LSF
B1	REVISED ECR-19-006542		24APR2019	JC TY



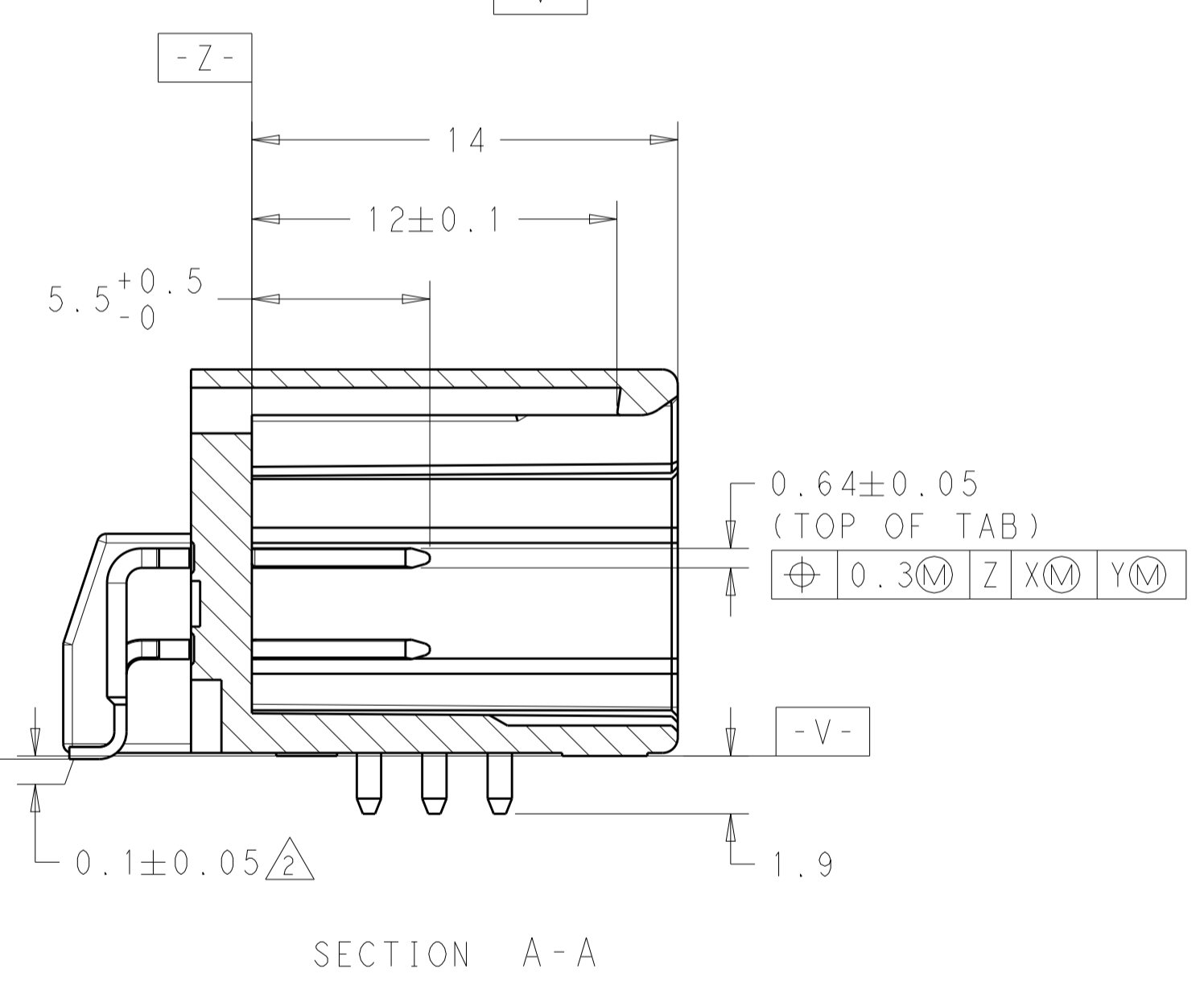
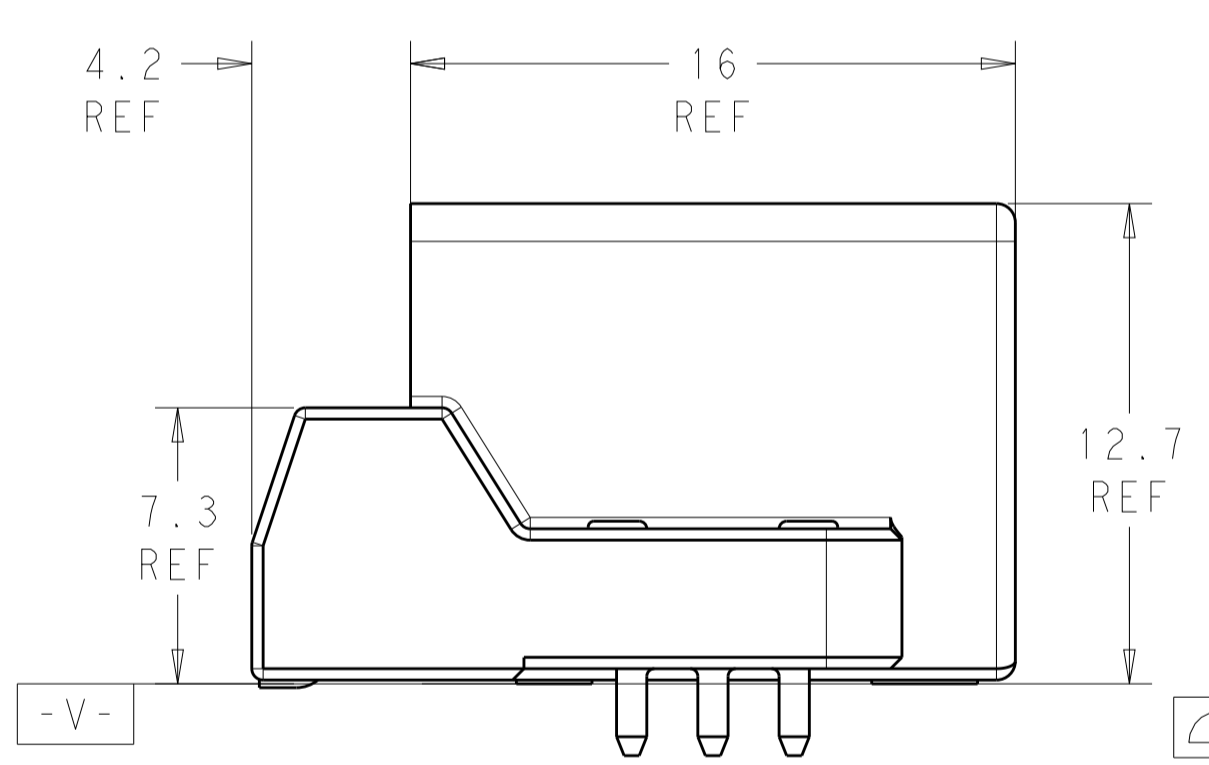
SWS TH24MB-X



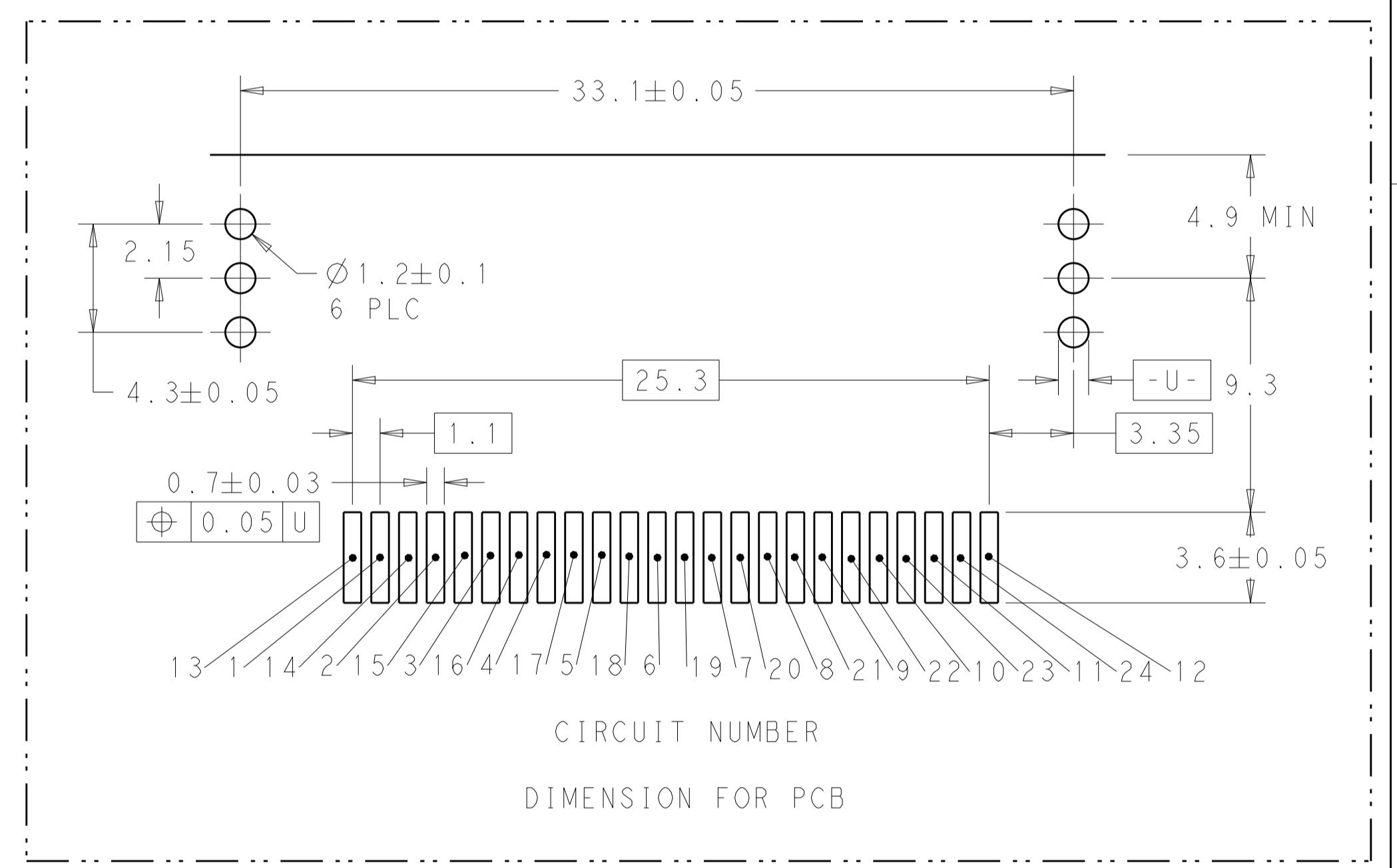
SWS TH24MGY-X



TE KEYING 1



SECTION A-A



CIRCUIT NUMBER  
DIMENSION FOR PCB

NOTE:

- THIS DIMENSION IS MEASURED FROM LOWEST PIN TO HIGHEST PIN ALL PINS TO BE BELOW DATUM V
- DISTANCE OF PIN 1~24 TO DATUM V
- WHEN MOUNTING, THICKNESS OF SOLDER PASTE: 0.15mm MIN
- BLISTER = ANTISTATIC, RESISTANCE 100GΩ MAX  
REEL = SAME AS BLISTER  
BLISTER TAPE = SAME AS BLISTER

B		ANTISTATIC TAPE & REEL	TE KEY 1						BLACK	2237067-5
B			SWS TH24MB-X						NATURAL	2237067-4
B	PAPER BOX	NON-ANTISTATIC TAPE & REEL	SWS TH24MGY-X	BRASS	POST TIN OVER NI	BRASS	POST TIN OVER NI	PPS	GREY	2237067-3
B			TE KEY 1						BLUE	2237067-2
B			TE KEY 1						BLACK	2237067-1
REV	OUTER	INNER	KEYING	MATERIAL	PLATING	MATERIAL	PLATING	MATERIAL	COLOR	PART NUMBER
	PACKAGING			SOLDER PEG		CONTACT		HOUSING		

THIS DRAWING IS A CONTROLLED DOCUMENT.

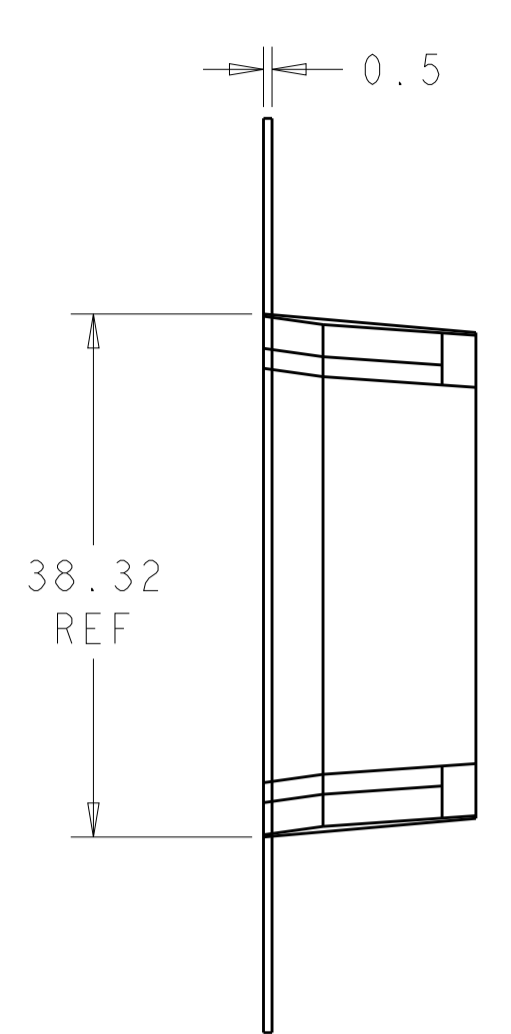
APPROVED: JASON CHOW 21JUL2016  
CHK: JIL LIM 21JUL2016  
APP'D: SE LEONG 21JUL2016

NAME: 24 POSITION CAP ASSEMBLY

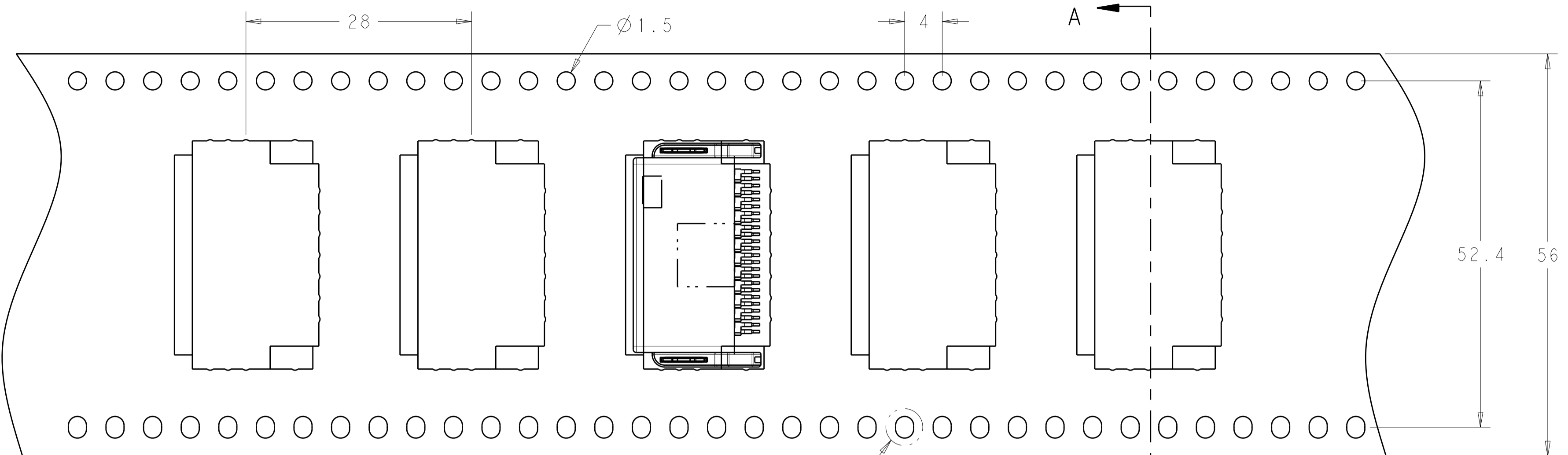
SIZE: A1 CAGE CODE: DRAWING NO: 100779 ©=2237067

SCALE: 5:1 SHEET 1 OF 2 REV B1

REVISIONS				
P.	LTN	DESCRIPTION	DATE	APVD
-	-	SEE SHEET 1	-	-

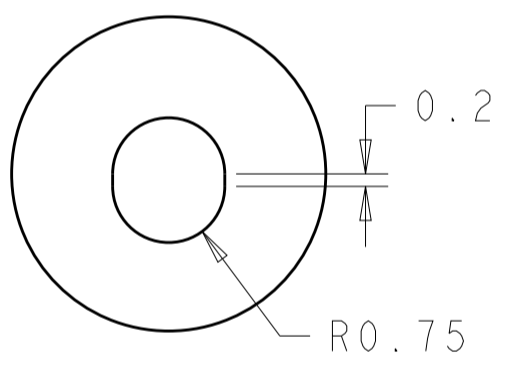
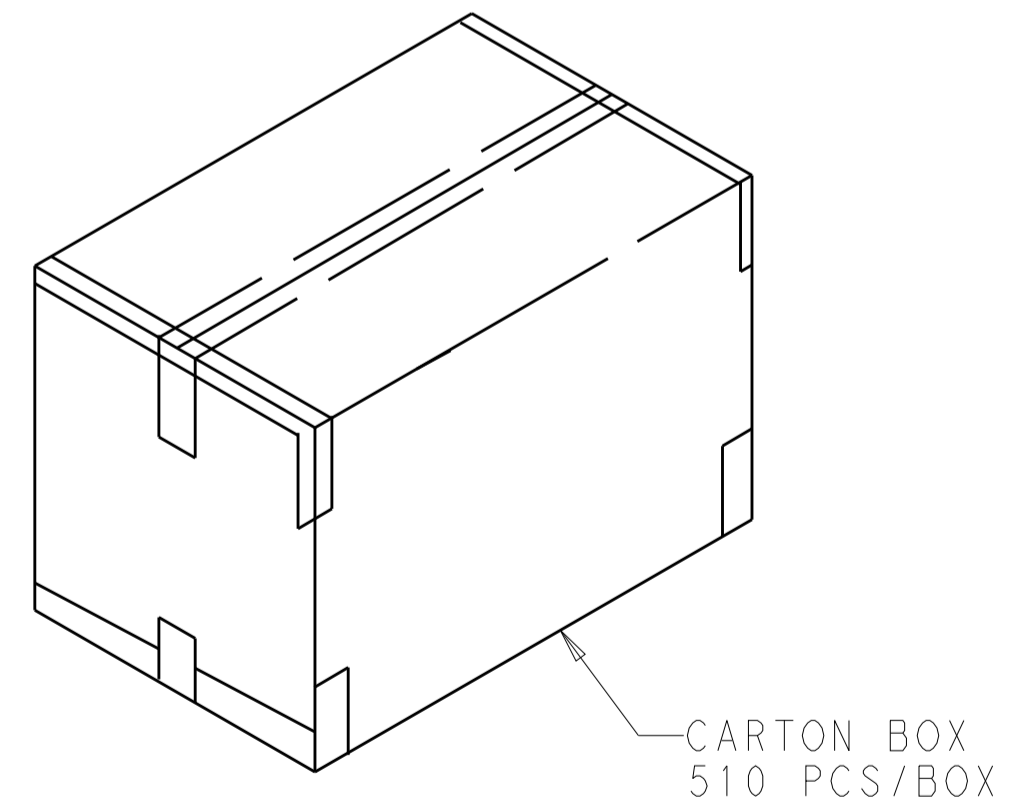
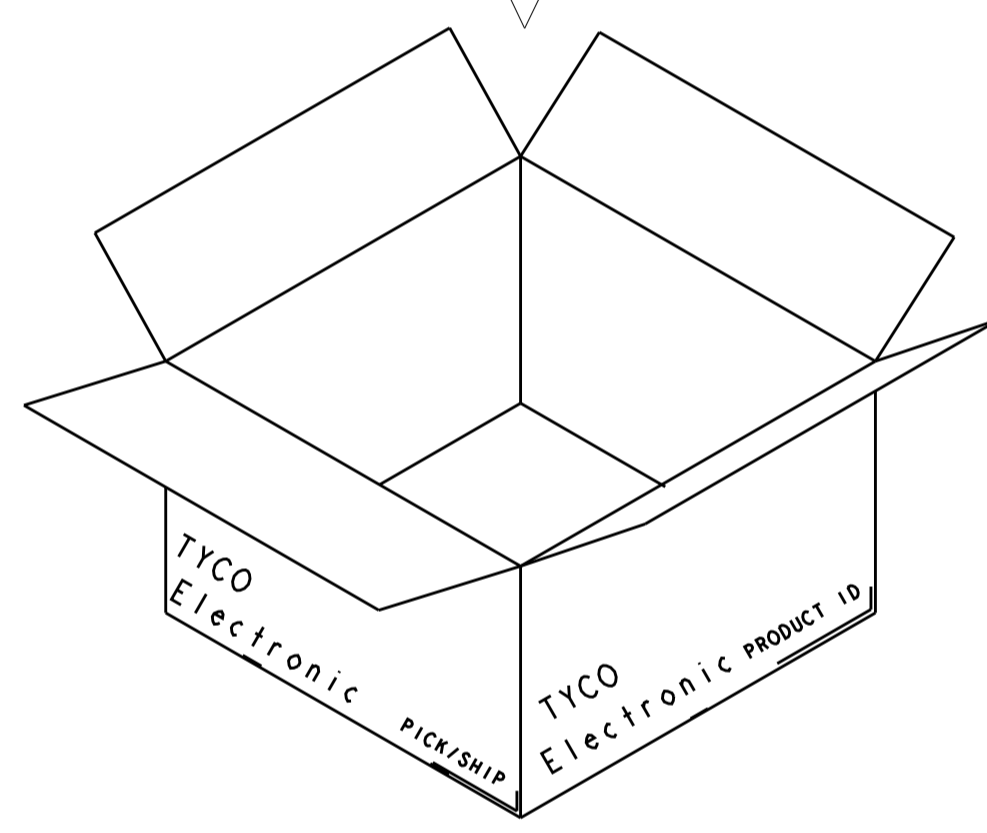
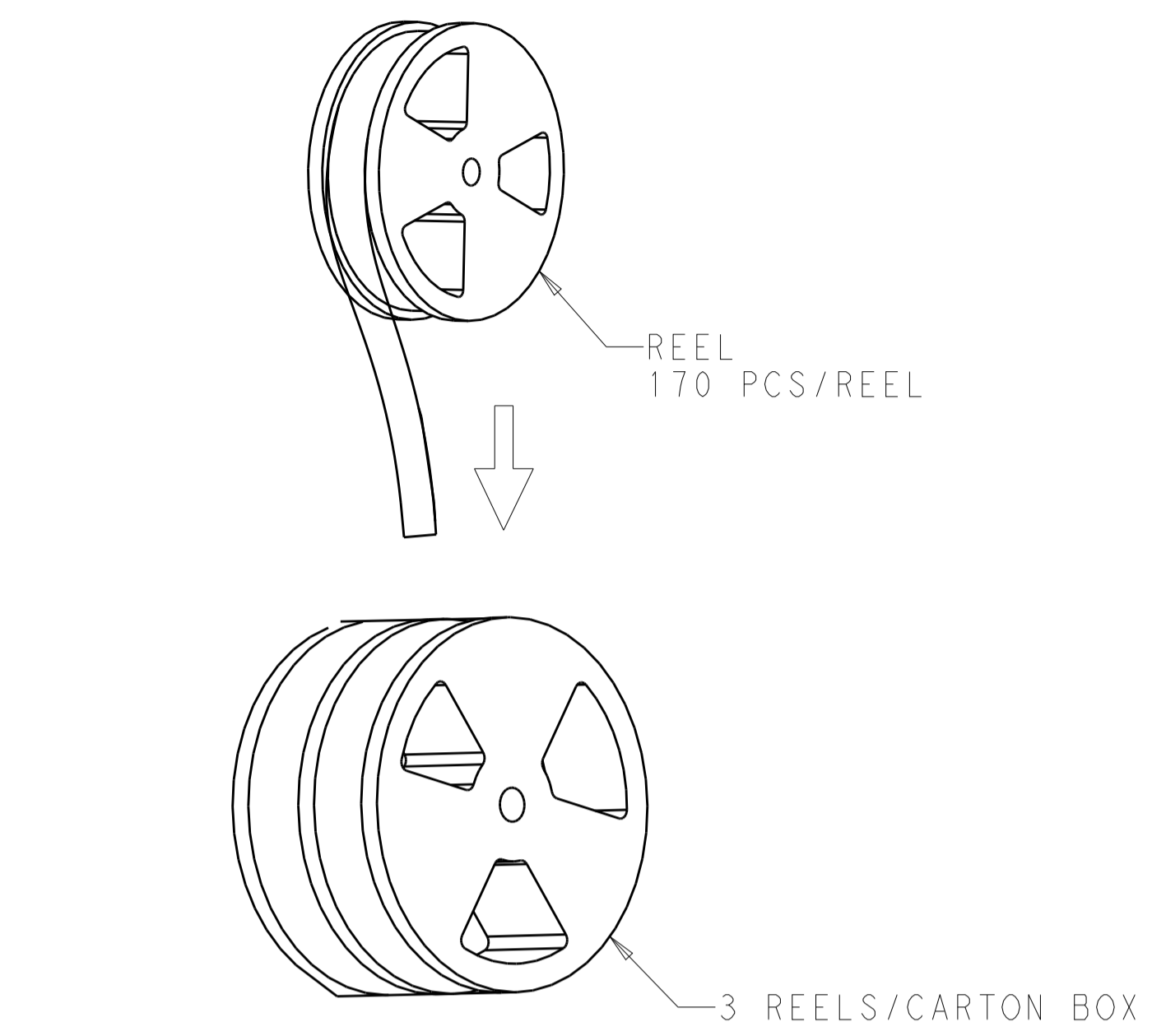
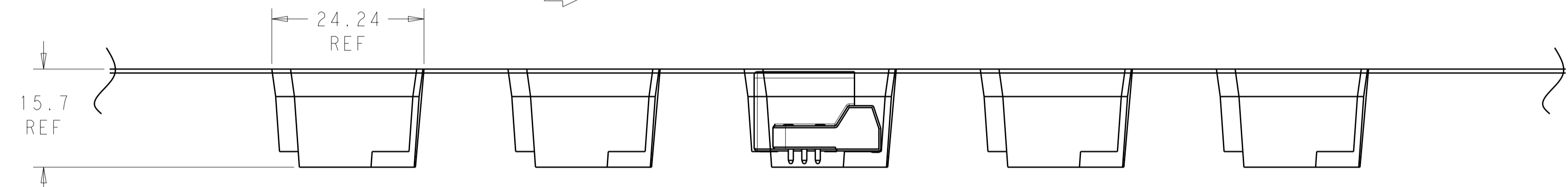


SECTION A-A

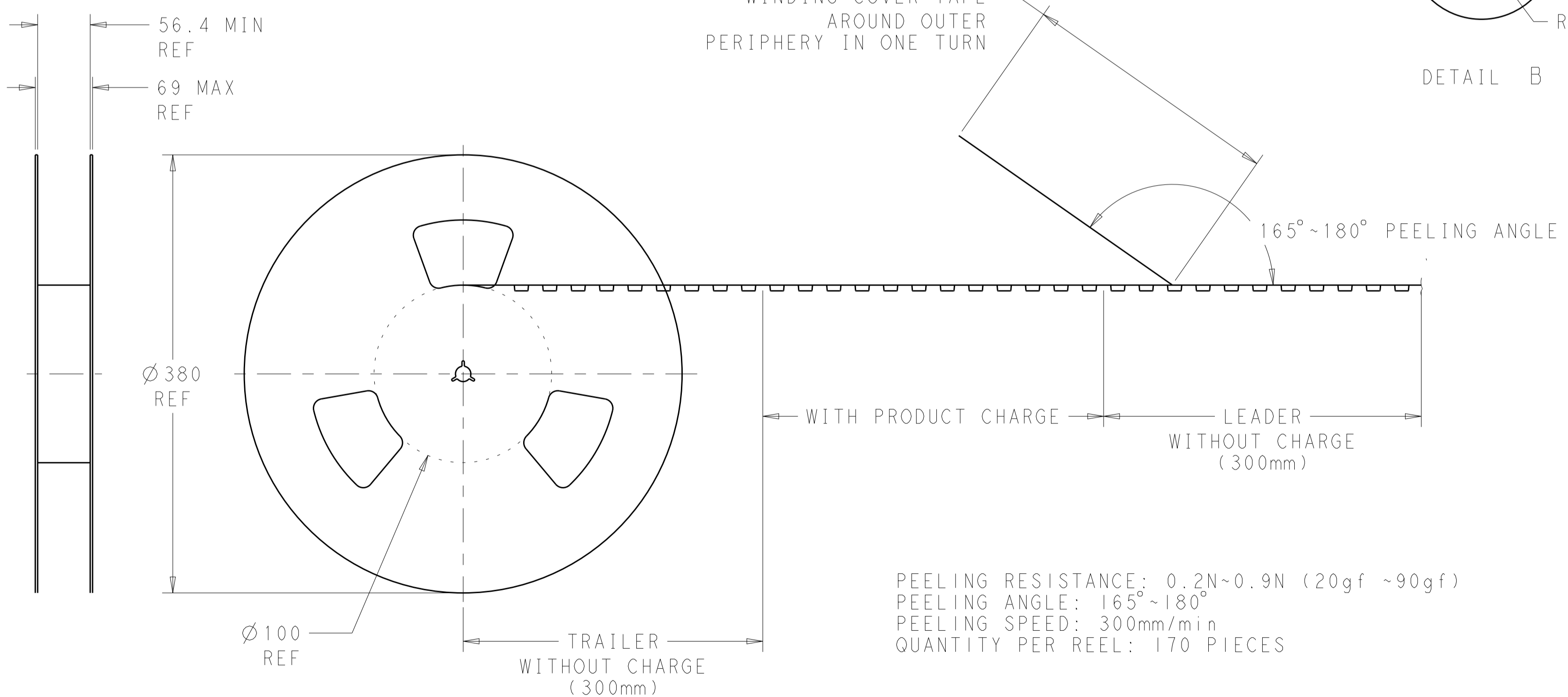


CUSTOMER DE-REEL DIRECTION

SEE DETAIL B



DETAIL B



PEELING RESISTANCE: 0.2N~0.9N (20gf ~90gf)  
 PEELING ANGLE: 165°~180°  
 PEELING SPEED: 300mm/min  
 QUANTITY PER REEL: 170 PIECES

THIS DRAWING IS A CONTROLLED DOCUMENT.		DWN: JASON CHOW 21JUL2016	TE Connectivity
DIMENSIONS: mm		CHK: JIL LIM 21JUL2016	
TOLERANCES UNLESS OTHERWISE SPECIFIED:		APVD: SE LEONG 21JUL2016	NAME: 24 POSITION CAP ASSEMBLY
0 PLC	±0.3	PRODUCT SPEC	SIZE: CAGE CODE DRAWING NO
1 PLC	±0.3	APPLICATION SPEC	RESTRICTED TO
2 PLC	±0.3	WEIGHT	A100779C=2237067
3 PLC	±0.3	CUSTOMER DRAWING	SCALE: NTS SHEET 2 OF 2 REV: B1
4 PLC	±0.3		
ANGLES	±0.3°		
FINISH	±0.3°		

单击下面可查看定价，库存，交付和生命周期等信息

[>>TE Connectivity\(泰科\)](#)