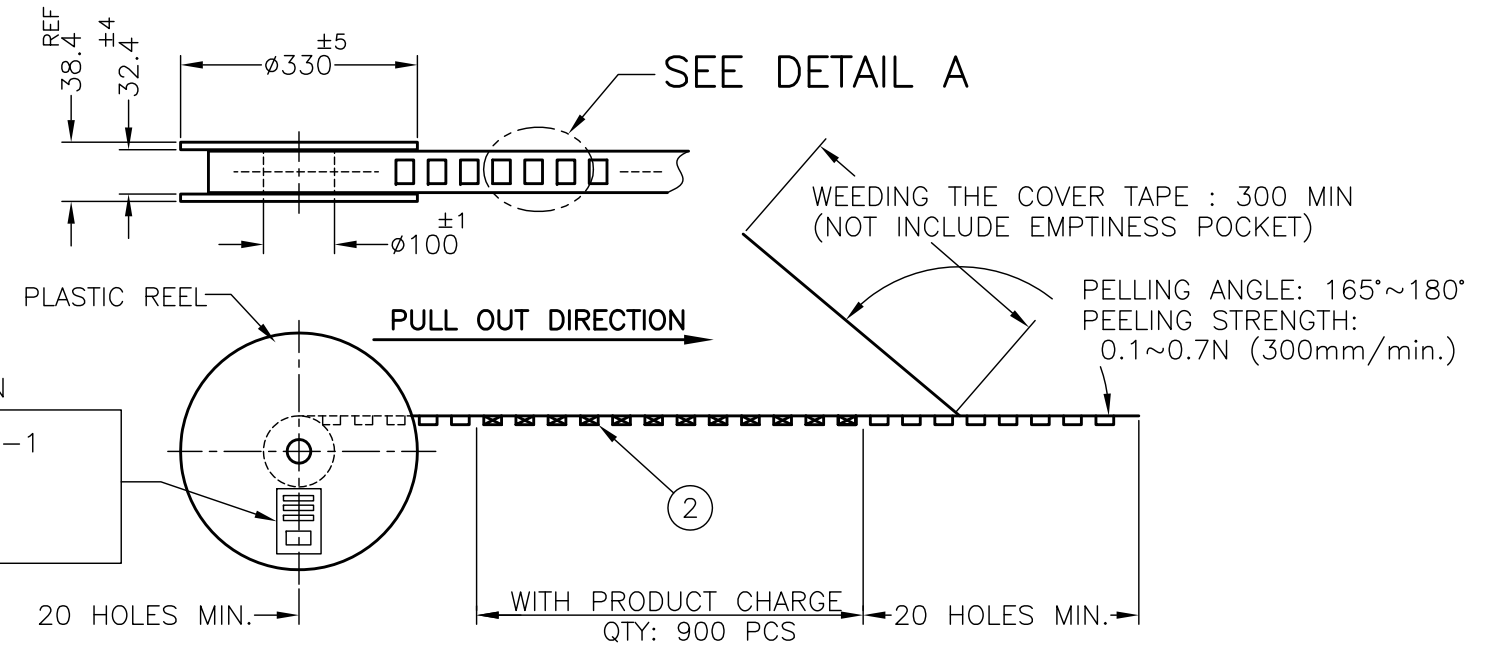
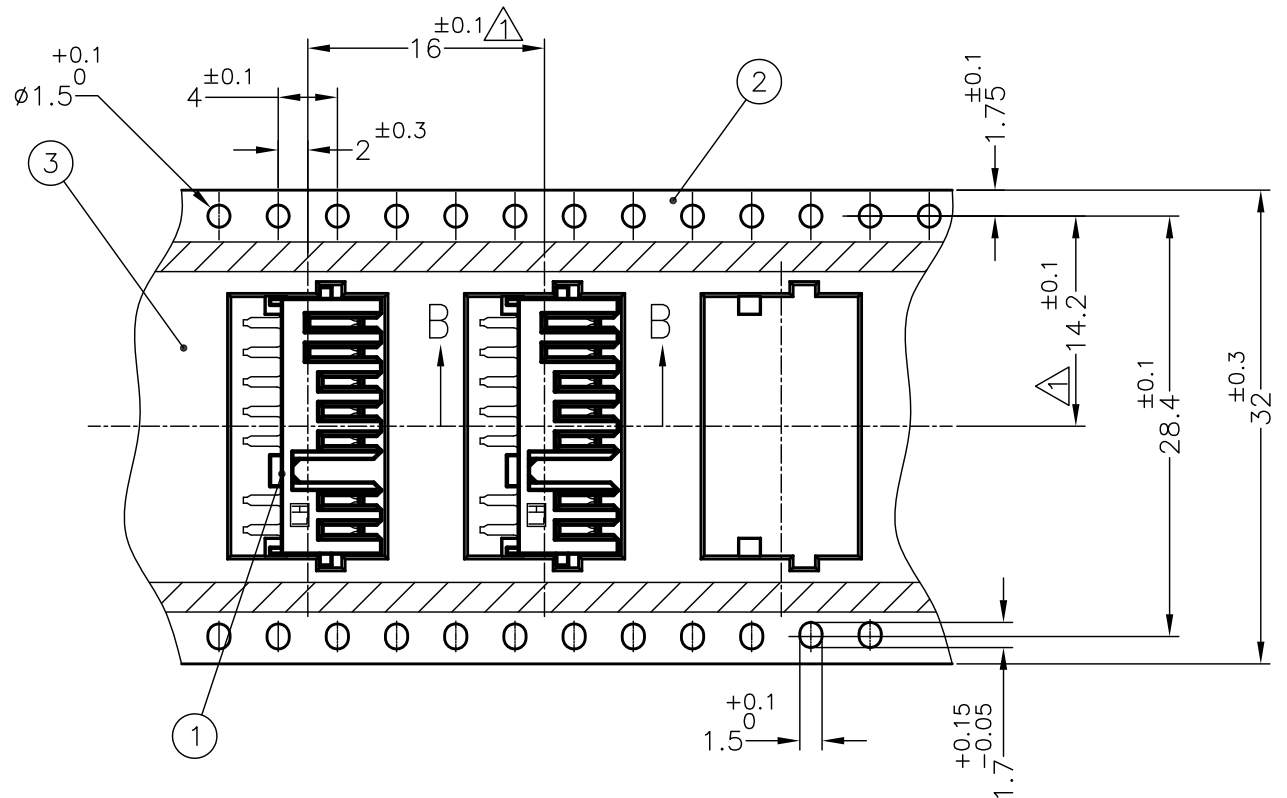


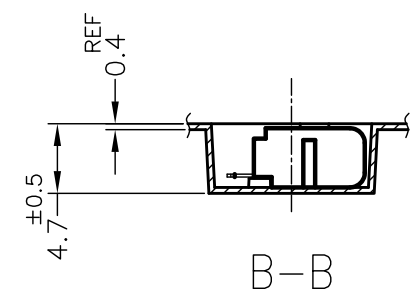
LOC	DIST	REVISIONS					
DW		P	LTR	DESCRIPTION	DATE	DWN	APVD
		B		REVISED (ECR-14-012584)	25AUG2014	S.H	V.P

2229293-1; AS SHOWN

△ THIS DEMENSION MEANS CENTER OF THE POCKET.



DETAIL A
SCALE 2:1



LABEL DESCRIPTION

TE P/N: 2229293-1
QTY: 900 pcs
D/C:
MADE IN CHINA

PART NUMBER		
2229293-1		
1	COVER TAPE	③
1	EMBOSS CARRIER TAPE	②
900	2229294-1	①
QTY REQD PER ASSY	COMPONENT NAME	NO.

THIS DRAWING IS A CONTROLLED DOCUMENT.		DWN	27SEP2012	 TE Connectivity
		CHK	27SEP2012	
		APVD	27SEP2012	
		PRODUCT SPEC	108-78292	
DIMENSIONS: mm 		TOLERANCES UNLESS OTHERWISE SPECIFIED: 0 PLC ± 0.3 1 PLC ± 0.3 2 PLC ± 0.3 3 PLC ± 0.3 4 PLC ± 0.3 ANGLES ± 3°		NAME 2mm PITCH BATTERY REC. ASSEMBLY 7POS. H=4.0 PACKING
MATERIAL		FINISH		SIZE A3
		APPLICATION SPEC CUSTOMER DRAWING		CAGE CODE 00779
		WEIGHT -		DRAWING NO 2229293
		SCALE 2:1		RESTRICTED TO -
		SHEET 1 OF 3		REV B

4

3

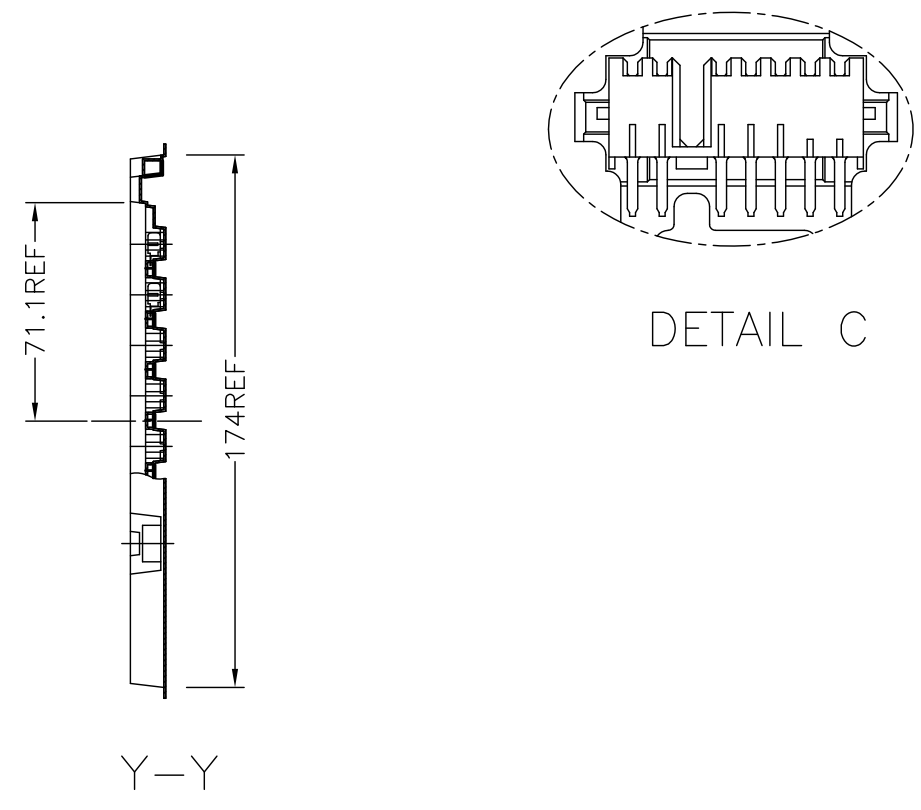
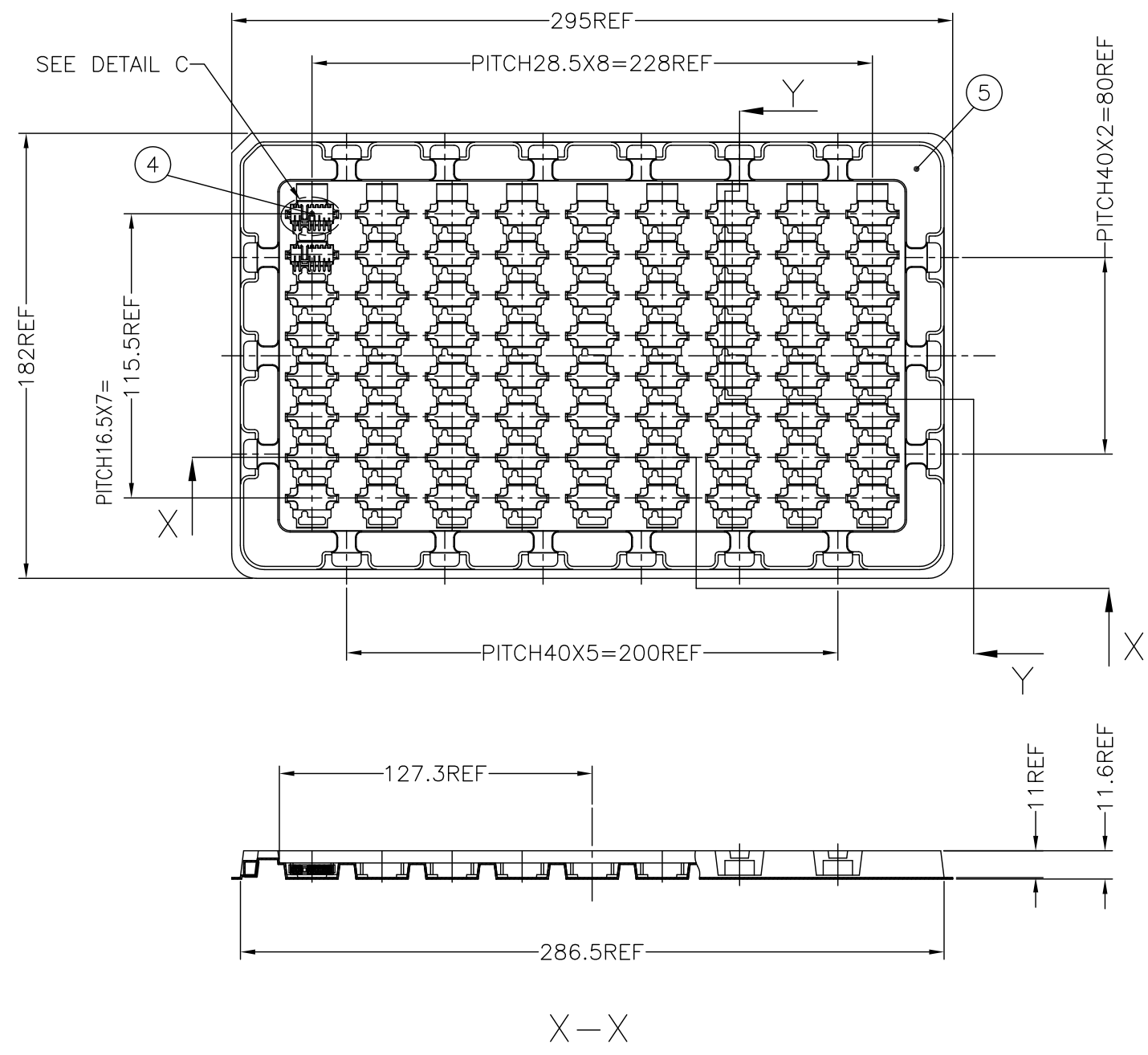
2

1

THIS DRAWING IS UNPUBLISHED. RELEASED FOR PUBLICATION SEP ,2012.
 © COPYRIGHT 2012 By Tyco Electronics Japan G.K. ALL RIGHTS RESERVED.

LOC	DIST	REVISIONS				
P	LTR	DESCRIPTION	DATE	DWN	APVD	
-	-	SEE SHEET 1	-	-	-	

1-2229293-1; AS SHOWN



PART NUMBER		
1-2229293-1		
1	TRAY	⑤
72	1-2229294-1	④
QTY REQD PER ASSY	COMPONENT NAME	NO.

THIS DRAWING IS A CONTROLLED DOCUMENT.		DWN	STE TE Connectivity			
DIMENSIONS: mm		CHK				
TOLERANCES UNLESS OTHERWISE SPECIFIED:		APVD	NAME 2mm PITCH BATTERY REC. ASSEMBLY 7POS. H=4.0 PACKING			
0 PLC ± 0.3		PRODUCT SPEC	SIZE	CAGE CODE	DRAWING NO	RESTRICTED TO
1 PLC ± 0.3		APPLICATION SPEC	A3	00779	2229293	-
2 PLC ± 0.3		WEIGHT	CUSTOMER DRAWING			
3 PLC ± 0.3			SCALE	SHEET	REV	
4 PLC ± 0.3			2:1	2 OF 3	B	
ANGLES ± 3'						
MATERIAL	FINISH					

4

3

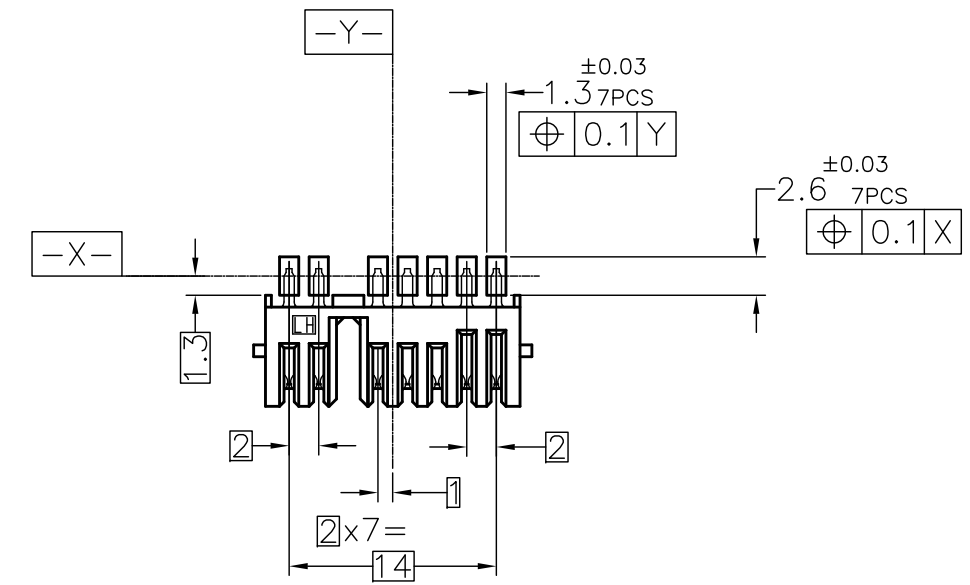
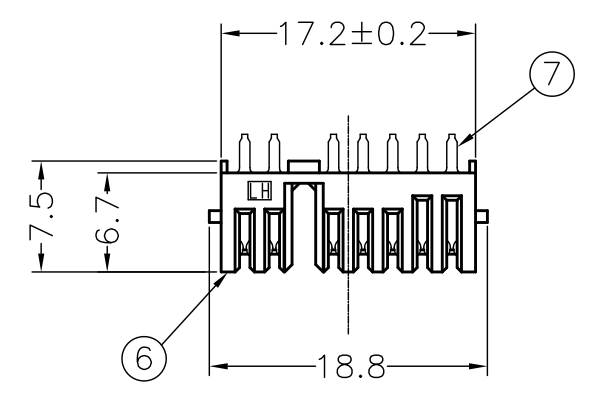
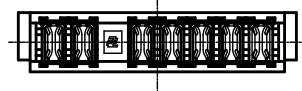
2

1

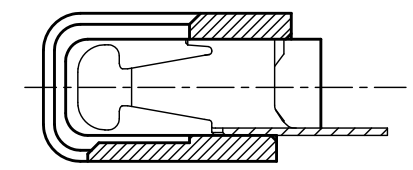
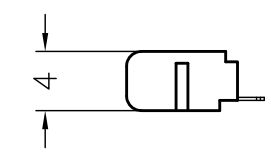
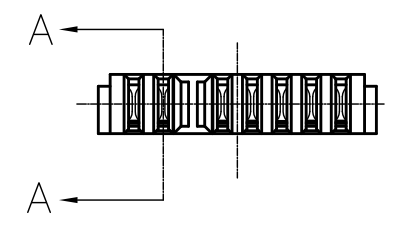
THIS DRAWING IS UNPUBLISHED. RELEASED FOR PUBLICATION SEP ,2012.
 © COPYRIGHT 2012 By Tyco Electronics Japan G.K. ALL RIGHTS RESERVED.

LOC	DIST	REVISIONS			
P	LTR	DESCRIPTION	DATE	DWN	APVD
DW		-	SEE SHEET 1	-	-

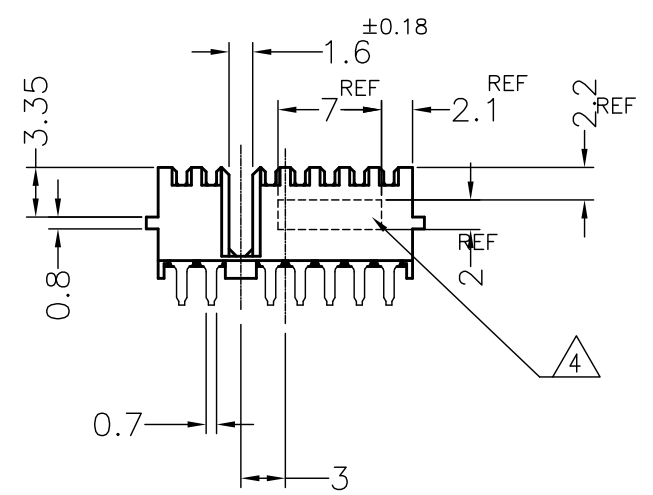
CONNECTOR W/O PACKING CONDITION



REFERENCE P.C.BOARD LAYOUT
 P.C.BOARD THICKNESS : 0.8~1.2
 (VIEW FROM CONNECTOR MOUNTING SIDE)



A-A
 (SCALE 5:1)



PART NUMBER			
1-2229294-1	2229294-1		
7	7	CONTACT	⑦
1	1	HOUSING	⑥
QTY REQD PER ASSY		COMPONENT NAME	NO.

THIS DRAWING IS A CONTROLLED DOCUMENT.		DWN	STE TE Connectivity	
DIMENSIONS: mm		CHK		
TOLERANCES UNLESS OTHERWISE SPECIFIED:		APVD	NAME	
0 PLC ± 0.3		PRODUCT SPEC	2mm PITCH BATTERY REC. ASSEMBLY 7POS. H=4.0	
1 PLC ± 0.3		APPLICATION SPEC	PACKING	
2 PLC ± 0.3		WEIGHT	SIZE	CAGE CODE
3 PLC ± 0.3		0.7g	A3	00779
4 PLC ± 0.3		CUSTOMER DRAWING	DRAWING NO	RESTRICTED TO
ANGLES ± 3'			C-2229293	
FINISH		SCALE	SHEET	REV
②		2:1	3 of 3	B

单击下面可查看定价，库存，交付和生命周期等信息

[>>TE Connectivity\(泰科\)](#)