

4

3

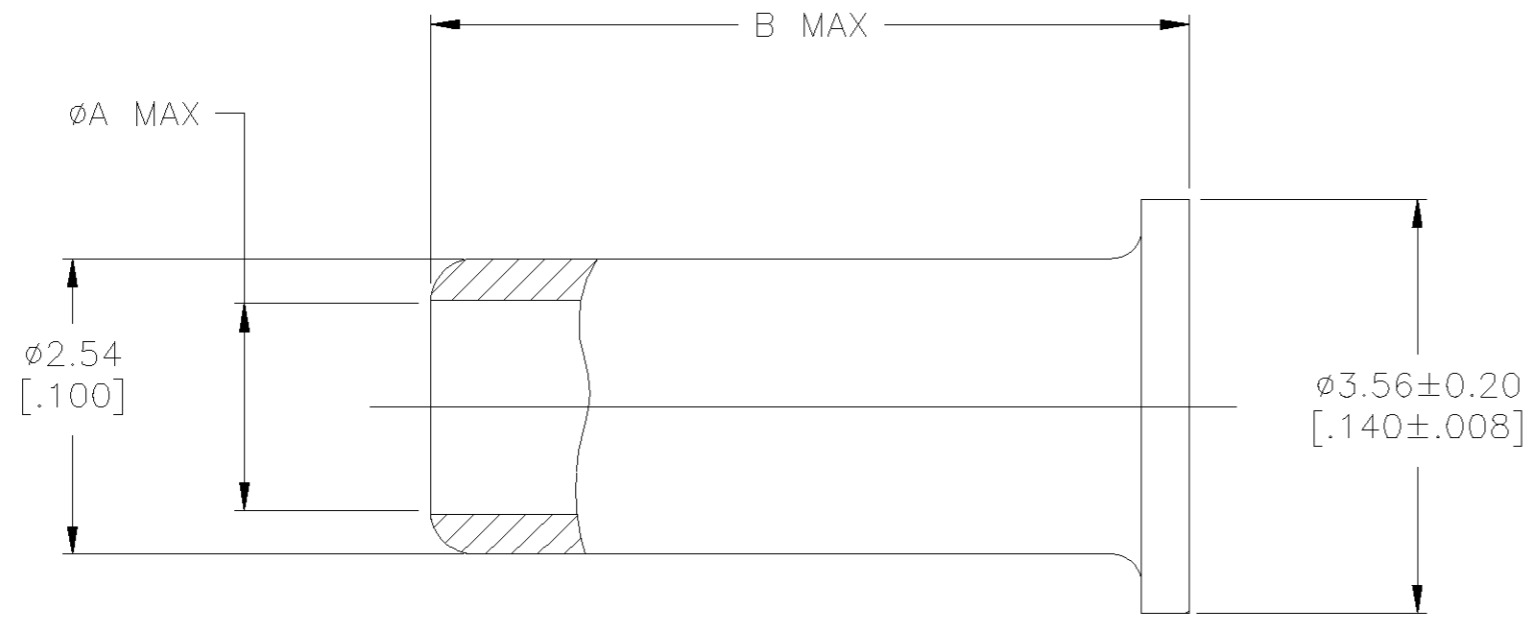
2

1

THIS DRAWING IS UNPUBLISHED. RELEASED FOR PUBLICATION  
 © COPYRIGHT BY TYCO ELECTRONICS CORPORATION. ALL RIGHTS RESERVED.

LOC	DIST	REVISIONS			
P	LTR	DESCRIPTION	DATE	DWN	APVD
AJ	16				
	J	REV PER 0U20-0164-01	26MAR01	MO	BM

△ BRASS PER ASTM-B-16 OR  
 BRASS PER ASTM-B-36  
 △ NICKEL PLATE PER QQ-N-290,  
 2.54µm [.000100] MIN THICKNESS



11.48 [.452]	0.91 [.036]	1-222001-8
10.03 [.395]	2.08 [.082]	1-222001-6
11.23 [.442]	1.88 [.074]	1-222001-4
18.97 [.747]	1.88 [.074]	1-222001-2
7.11 [.280]	1.88 [.074]	1-222001-0
10.03 [.395]	1.88 [.074]	222001-8
14.02 [.552]	1.88 [.074]	222001-6
7.42 [.292]	1.88 [.074]	222001-4
6.78 [.267]	1.88 [.074]	222001-2
B	A	PART NUMBER

THIS DRAWING IS A CONTROLLED DOCUMENT.		DWN D.LAMAN 27MAR01	Tyco Electronics Corporation Harrisburg, Pa	
DIMENSIONS: MM (INCHES)		CHK R.E.RUTH 4/26/90	NAME TUBING	
TOLERANCES UNLESS OTHERWISE SPECIFIED: 0 PLC ± - 1 PLC ± - 2 PLC ± 0.13 [.005] 3 PLC ± - 4 PLC ± - ANGLES ± - FINISH		APVD M. PHILLIPS 4/26/90	PRODUCT SPEC APPLICATION SPEC RESTRICTED TO	
MATERIAL -△		WEIGHT -	SIZE A2	CAGE CODE 00779
		DRAWING NO C=222001		SCALE 10:1
		CUSTOMER DRAWING		SHEET 1 OF 1

222001

单击下面可查看定价，库存，交付和生命周期等信息

[>>TE Connectivity\(泰科\)](#)