

THIS DRAWING IS UNPUBLISHED.

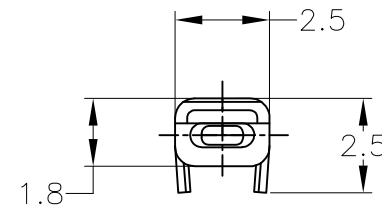
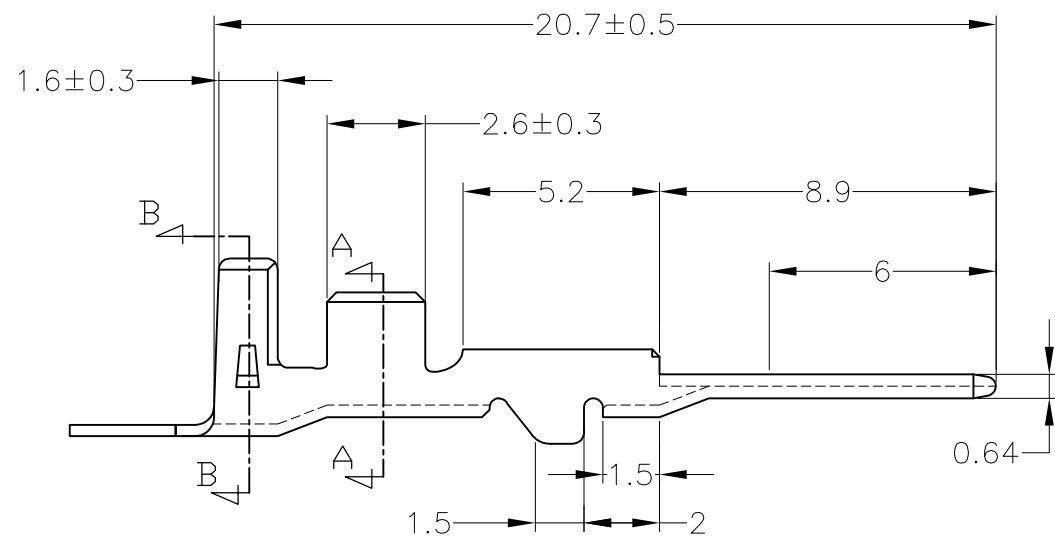
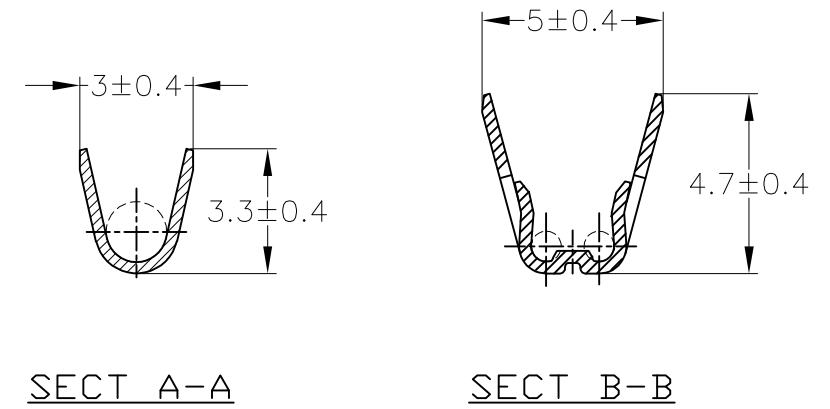
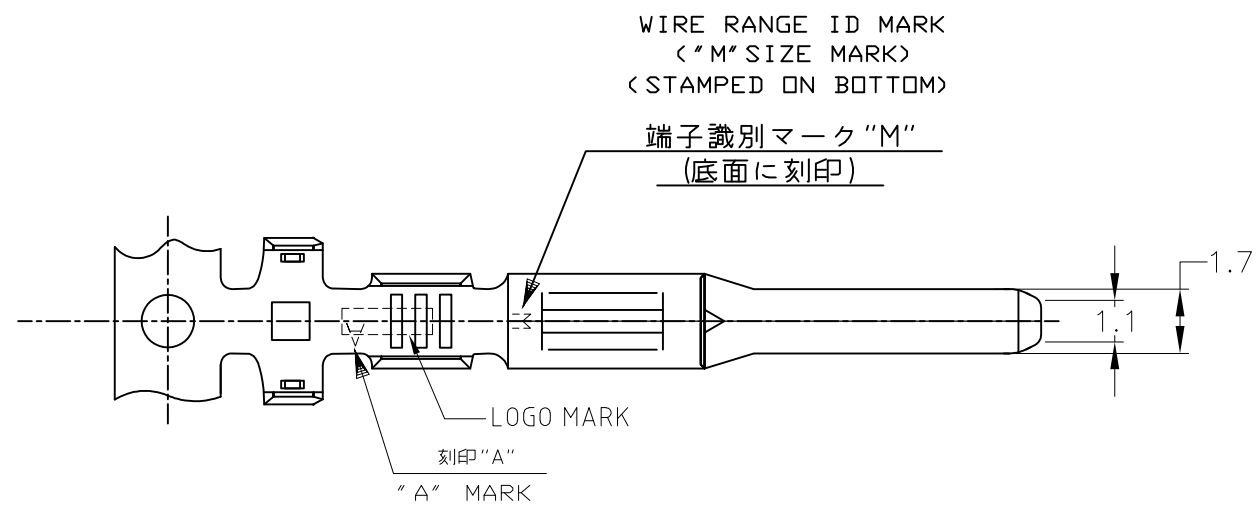
RELEASED FOR PUBLICATION JAN , 2018.

© COPYRIGHT 2018 TE Connectivity

ALL RIGHTS RESERVED.

REVISIONS


P	LTR	DESCRIPTION	DATE	DWN	APVD
	B	REVISED	25JAN2018	YN	TK



1. 製品規格; 108-5264

1. SPEC:108-5264

錫めっき済 PRE-TINNED	黄銅 板厚0.32 BRASS t0.32	175189-1
仕上 FINISH	材料 MATERIAL	型番 PART NUMBER

THIS DRAWING IS A CONTROLLED DOCUMENT.		DWN N.OJIMA 08JAN1990	 TE Connectivity Ltd.					
DIMENSIONS: mm		CHK M.OSHIMA 08JAN1990				NAME		
TOLERANCES UNLESS OTHERWISE SPECIFIED:		APVD M.NOGUCHI 08JAN1990				070 SERIES TAB CONTACT		
0 PLC ± - 1 PLC ± - 2 PLC ± - 3 PLC ± - 4 PLC ± - ANGLES ± -		PRODUCT SPEC				SIZE	CAGE CODE	DRAWING NO
MATERIAL SEE TABLE		FINISH SEE TABLE	RESTRICTED TO					
WIRE RANGE AVS 0.5~1.25mm ² (AWG #20-#16)		INSULATION DIA 2~2.6mmφ	A300779					
TOLERANCES UNLESS OTHERWISE SPECIFIED: 一般公差 0 < x < 10: ±0.2 10 < x < 30: ±0.25 30 < x < 100: ±0.3 ANGLE: ±3°		C=175189			SCALE 5:1			
CUSTOMER DRAWING		SHEET 1 OF 1			REV B			

单击下面可查看定价，库存，交付和生命周期等信息

[>>TE Connectivity\(泰科\)](#)