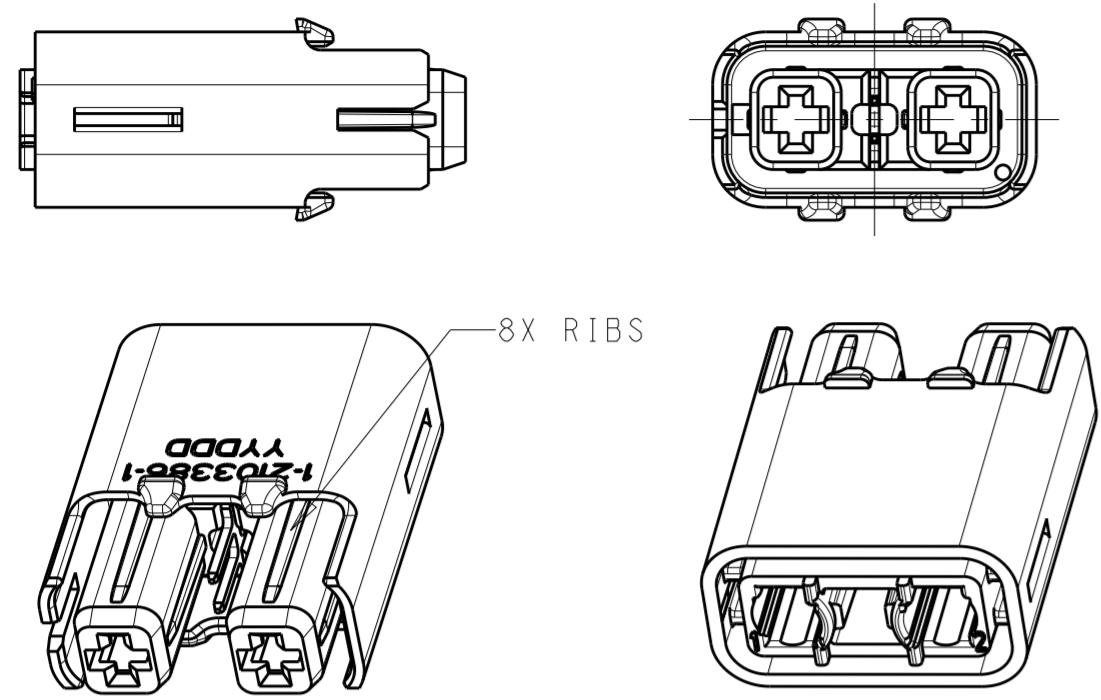
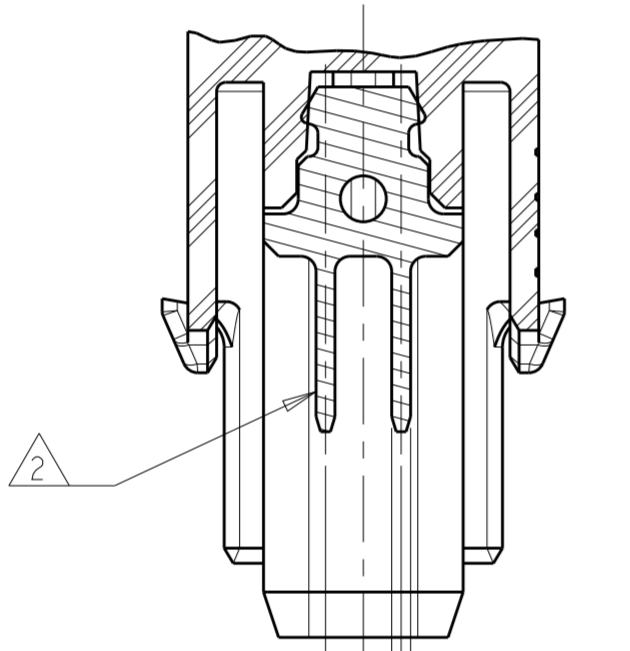
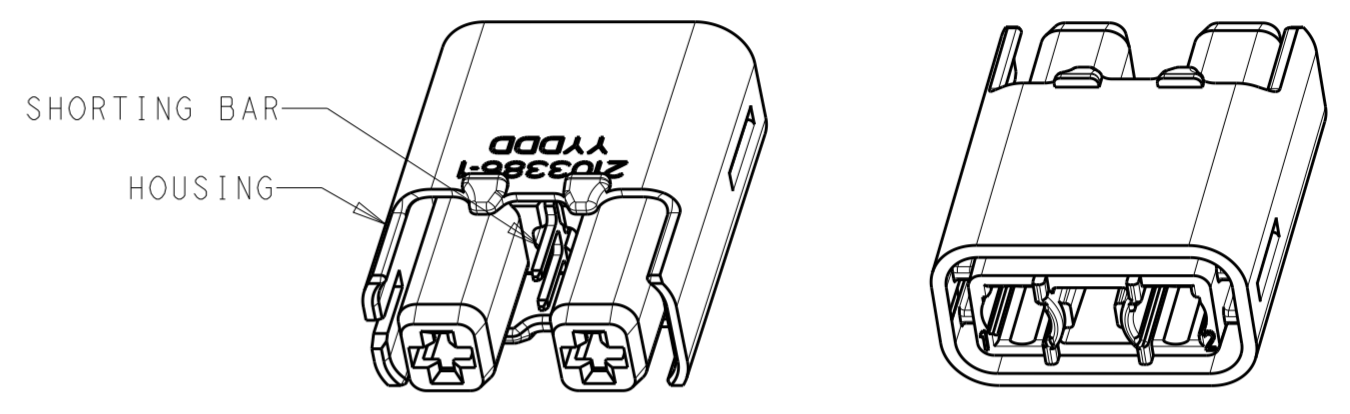
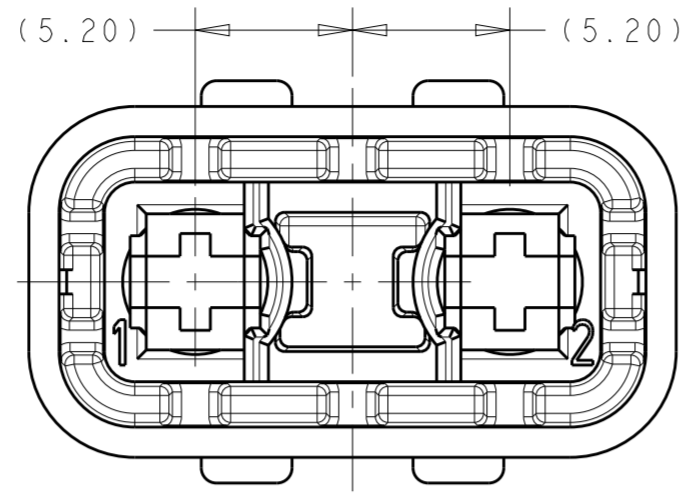


THIS DRAWING IS UNPUBLISHED. RELEASED FOR PUBLICATION 20
 © COPYRIGHT 20 BY TYCO ELECTRONICS CORPORATION ALL RIGHTS RESERVED.

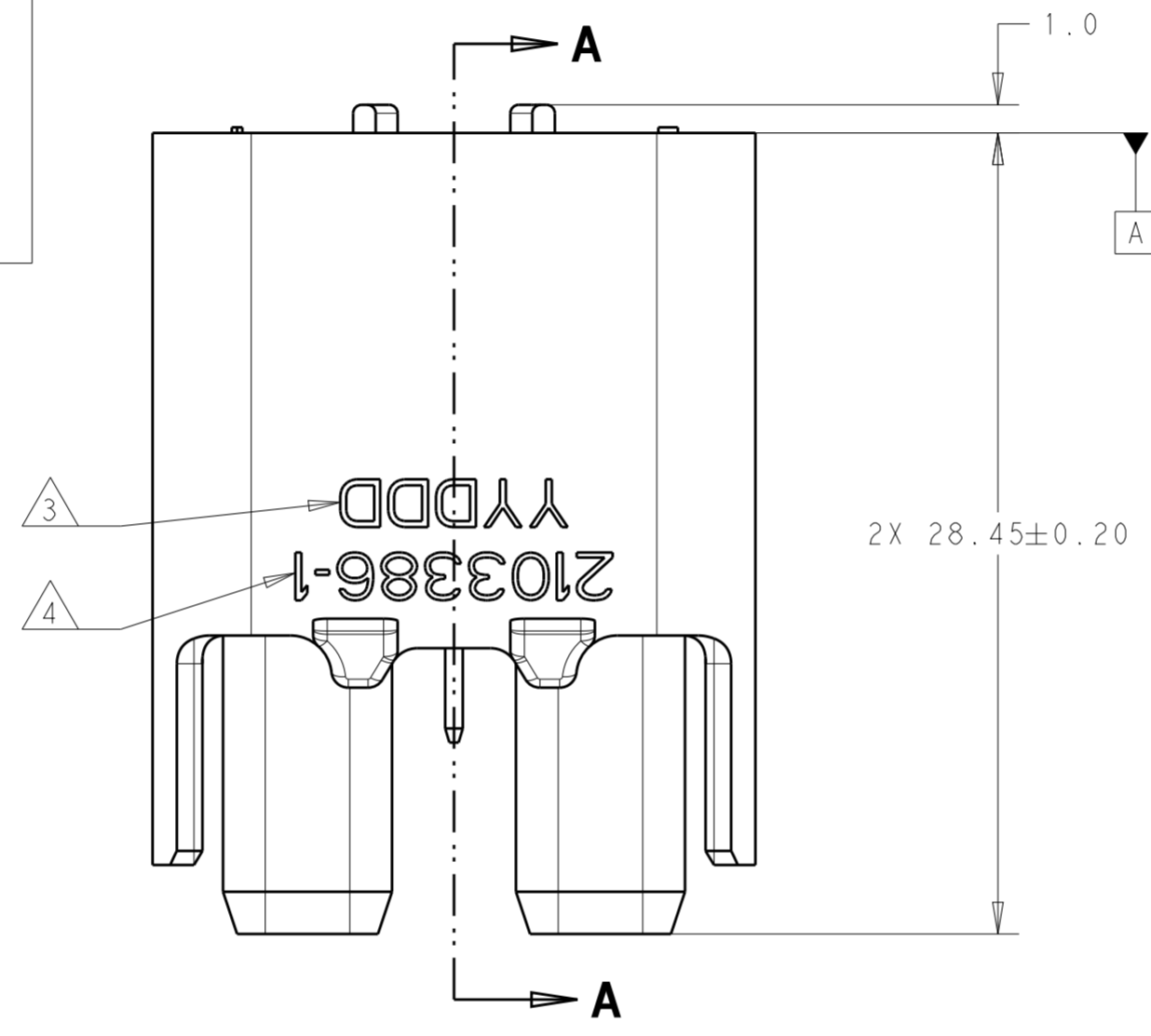
LOC		DIST		REVISIONS			
P	LTR	DESCRIPTION	DATE	DWN	APVD		
	A	ECO-13-017852	13NOV2013	DR	DR		
	A1	ECO-14-000545	13JAN2014	DR	DR		
	A2	ECO-14-001314	27JAN2014	DR	DR		



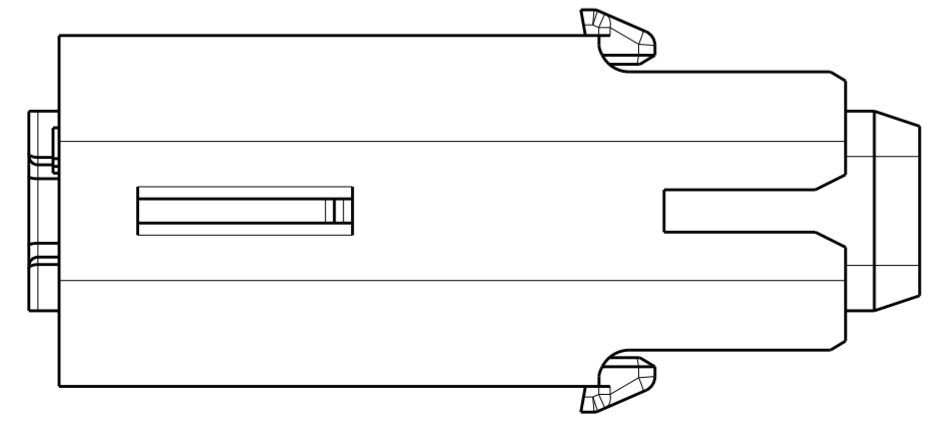
6 5 1-2103386-1
 SAME AS 2103386-1 EXCEPT AS SHOWN
 SCALE 2:1



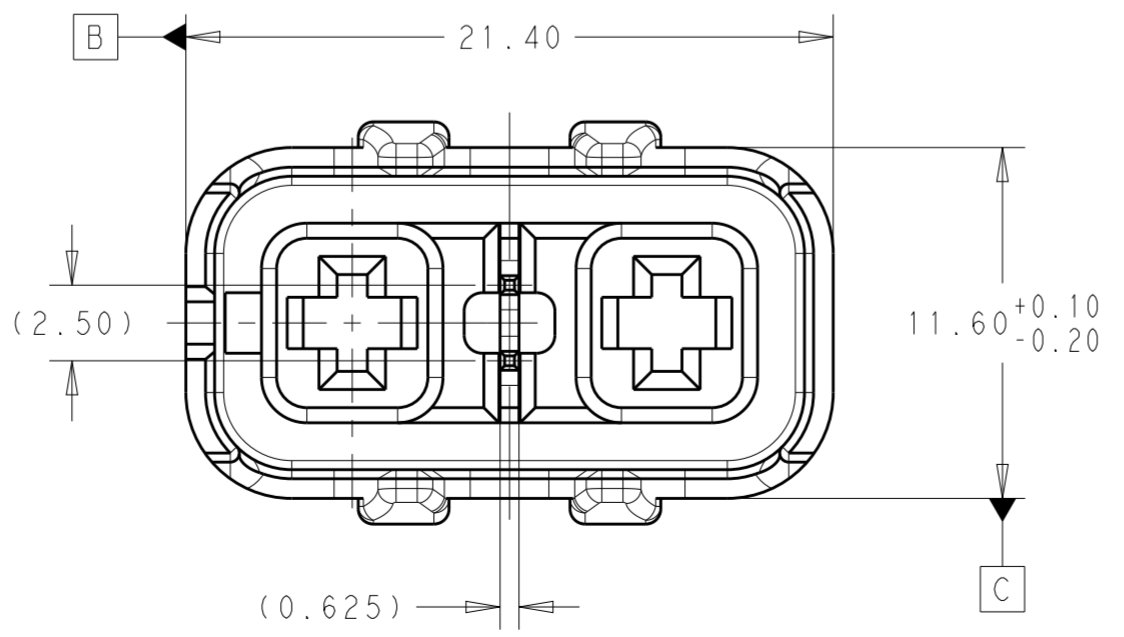
SECTION A-A



- 1 MATERIAL:
 HOUSING: PA66 33%GF
 SHORTING BAR: Ag PLATED COPPER ALLOY
- 2 SHORTING BAR INSTALLED AS SHOWN
- 3 JULIAN DATE CODE IN THIS LOCATION AT ASSEMBLY
- 4 TE PART NUMBER IN THIS LOCATION AT ASSEMBLY
- 5 PRELIMINARY PART - NOT RELEASED FOR PRODUCTION
- 6 THIS PART HAS NOT COMPLETED VALIDATION TESTING



2103386-1 SHOWN



4.00 g	ORANGE	INNER HSG SUB-ASSY, HVA280-2PHM, VIB	2	6 5 1-2103386-1
4.00 g	BLACK	INNER HSG SUB-ASSY, HVA280-2PHM	A	2103386-1
WEIGHT	COLOR	DESCRIPTION	REV	PART NUMBER

THIS DRAWING IS A CONTROLLED DOCUMENT.		DWN D. RHEIN 08JAN2013	TE Connectivity	
DIMENSIONS: mm		CHK D. RHEIN 08JAN2013		
TOLERANCES UNLESS OTHERWISE SPECIFIED:		APVD A. GUANCO 08JAN2013	NAME INNER HOUSING SUB-ASSY HVA280-2PHM	
0 PLC ± 1 PLC ±0.2 2 PLC ±0.10 3 PLC ± 4 PLC ± ANGLES ±1° FINISH		PRODUCT SPEC	SIZE CAGE CODE DRAWING NO RESTRICTED TO	
MATERIAL 1		APPLICATION SPEC	A200779 C-2103386	
Customer Drawing		WEIGHT SEE TABLE	SCALE 4:1 SHEET 1 OF 1 REV A2	

单击下面可查看定价，库存，交付和生命周期等信息

[>>TE Connectivity\(泰科\)](#)