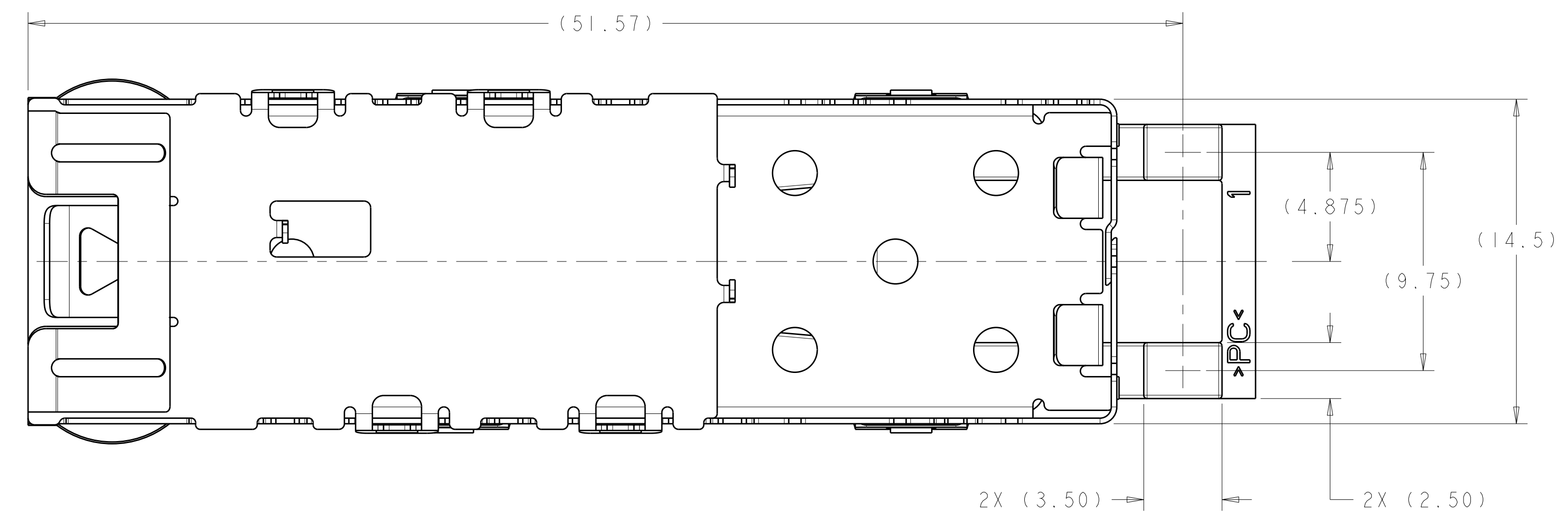
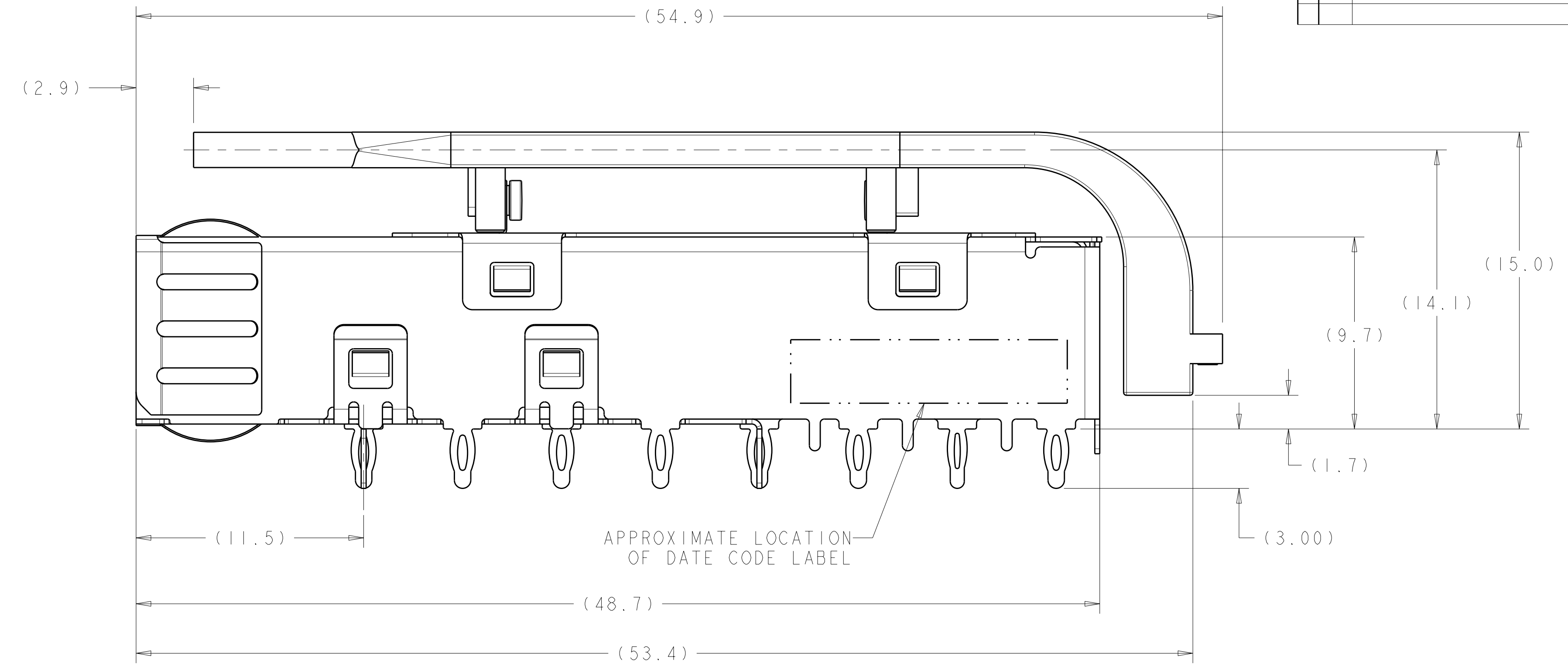
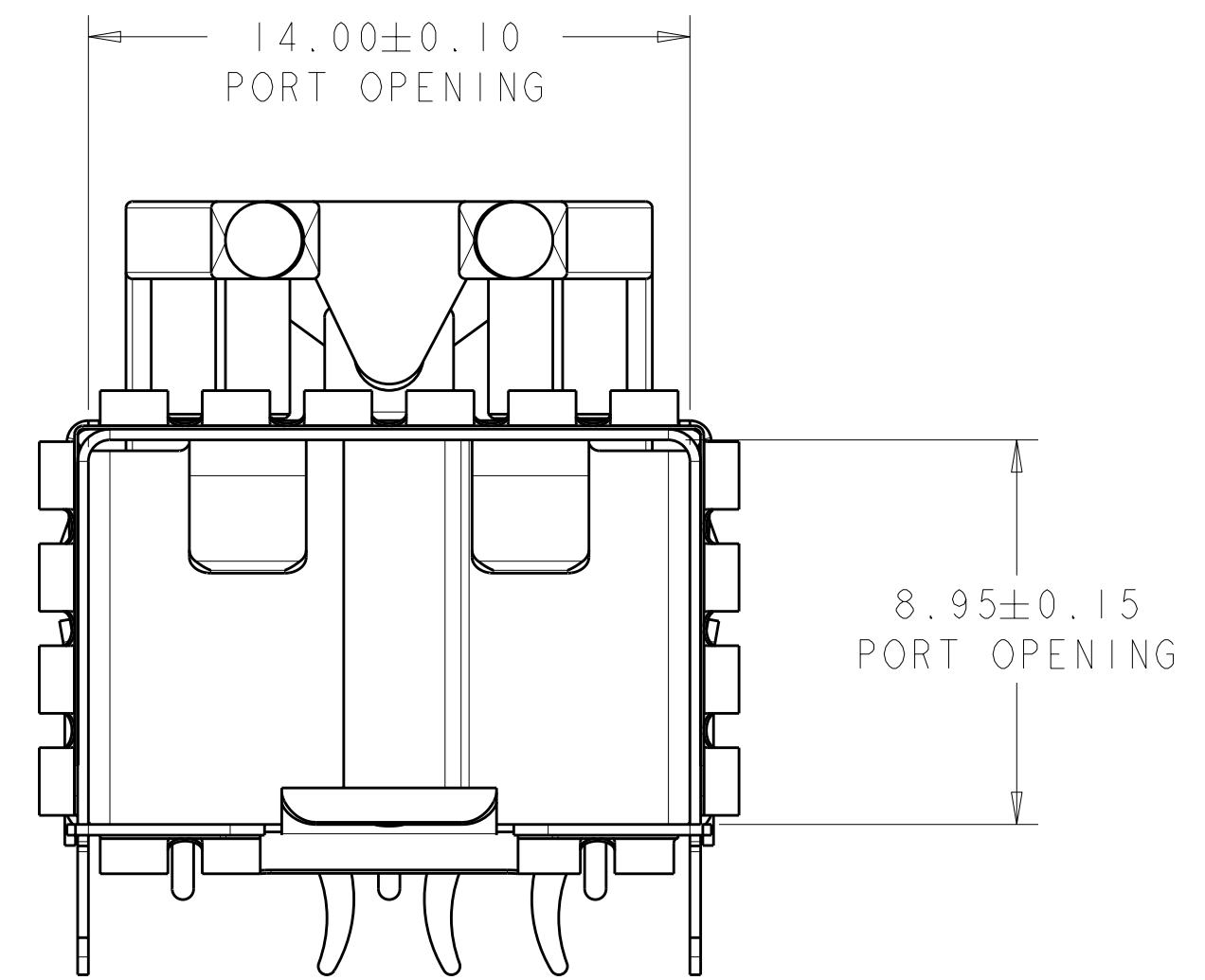
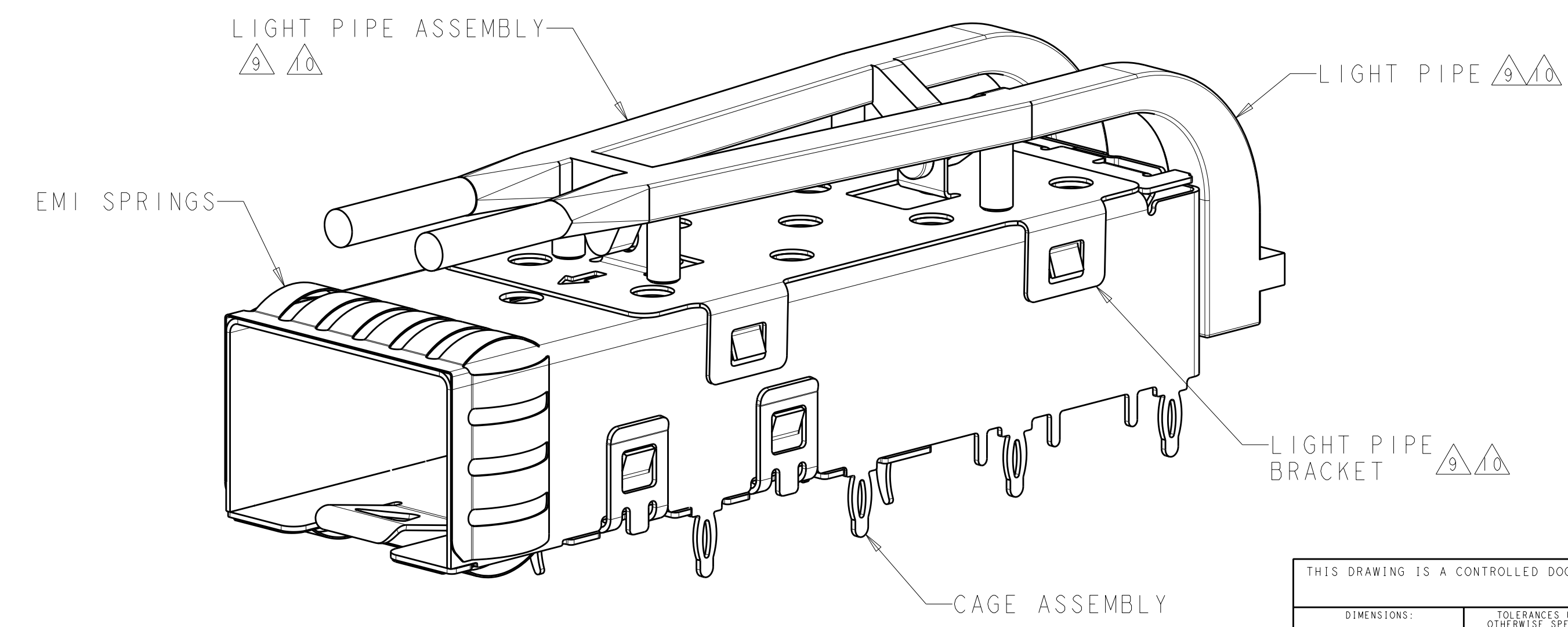


LOC	DIST	REVISIONS			
P	LTR	DESCRIPTION	DATE	DWN	APVD
GP	00	A	INITIAL RELEASE	20MAY2011	TX CW
		B	REVISED PER ECO-11-019224	30JAN2012	TX AC



- ⚠ MATERIAL:  
 CAGE ASSEMBLY - 0.25 THICK NICKEL-SILVER ALLOY.  
 EMI SPRINGS - COPPER ALLOY.  
 LIGHT PIPE - POLYCARBONATE, CLEAR.  
 LIGHT PIPE BRACKET - STAINLESS STEEL.
- ⚠ FINISH:  
 EMI SPRINGS - 0.8µm MIN MATTE TIN OVER 0.8µm MIN NICKEL  
 NON-PLATED EDGES PERMISSIBLE.
- 3. MATES WITH SFP MSA COMPLIANT TRANSCEIVERS.
- ⚠ PADS AND VIAS CHASSIS GROUND.
- ⚠ DATUM AND BASIC DIMENSION ESTABLISHED BY CUSTOMER.
- 6. MINIMUM PC BOARD THICKNESS:  
 SINGLE SIDED: 1.50mm  
 DOUBLE SIDED: 3.00mm
- ⚠ REFERENCE APPLICATION SPEC. 114-13120, HOLE A, FOR  
 RECOMMENDED DRILL HOLE DIAMETER AND PLATING THICKNESS.
- ⚠ REFERENCE APPLICATION SPEC. 114-13120, HOLE C, FOR  
 RECOMMENDED DRILL HOLE DIAMETER AND PLATING THICKNESS.  
 INTO PCB PRIOR TO ATTACHING THE LIGHTPIPE ASSEMBLY  
 TO THE CAGE.
- ⚠ LIGHT PIPE ASSEMBLY SHIPPED UNASSEMBLED TO CAGE ASSEMBLY.  
 CAGE ASSEMBLY TO BE PRESSED INTO PCB PRIOR TO ATTACHING  
 THE LIGHT PIPE ASSEMBLY TO THE CAGE.
- ⚠ LIGHT PIPE AND LIGHT PIPE BRACKET SHIPPED ASSEMBLED.



2110929-1  
 SCALE 5:1

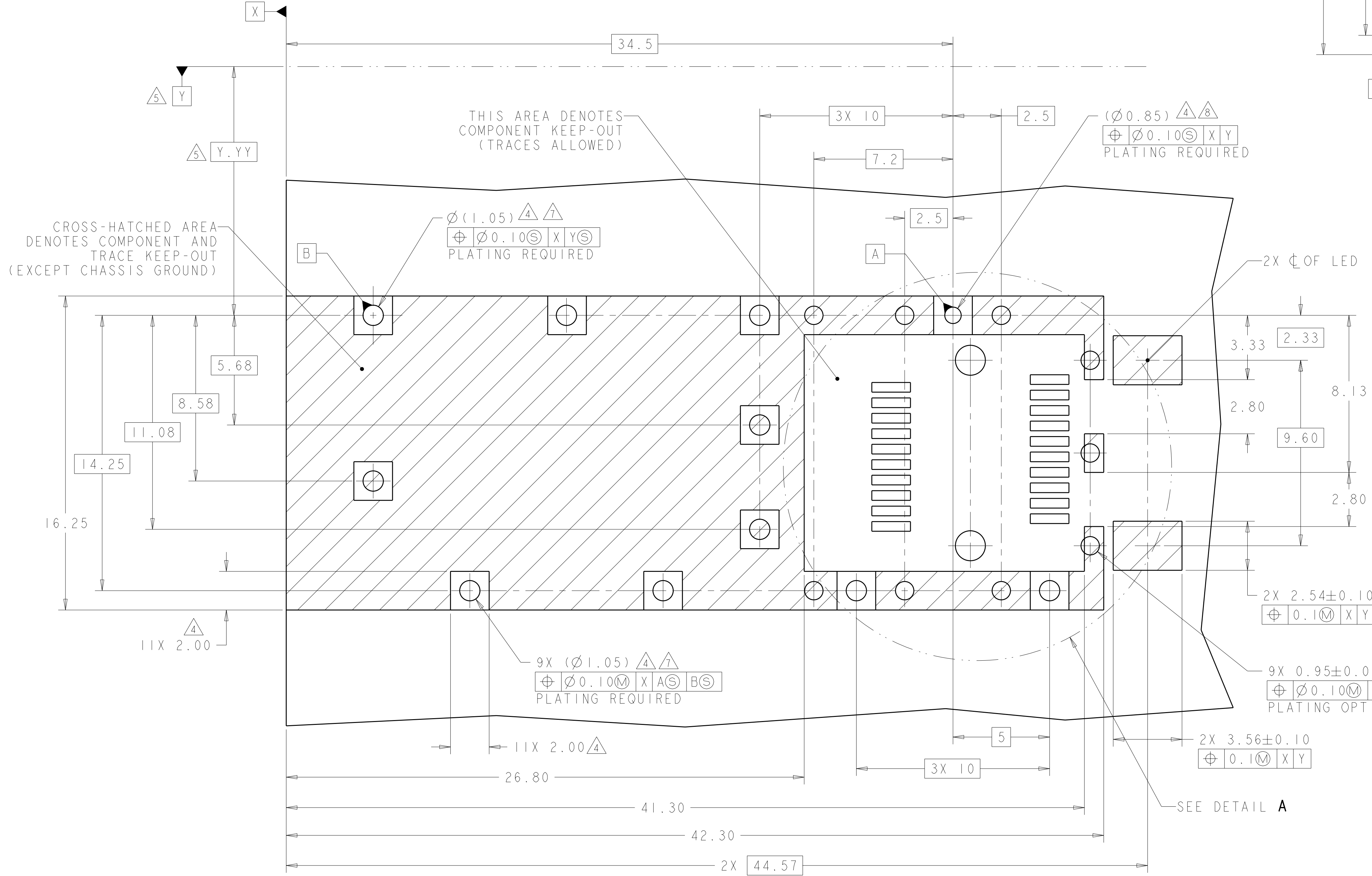
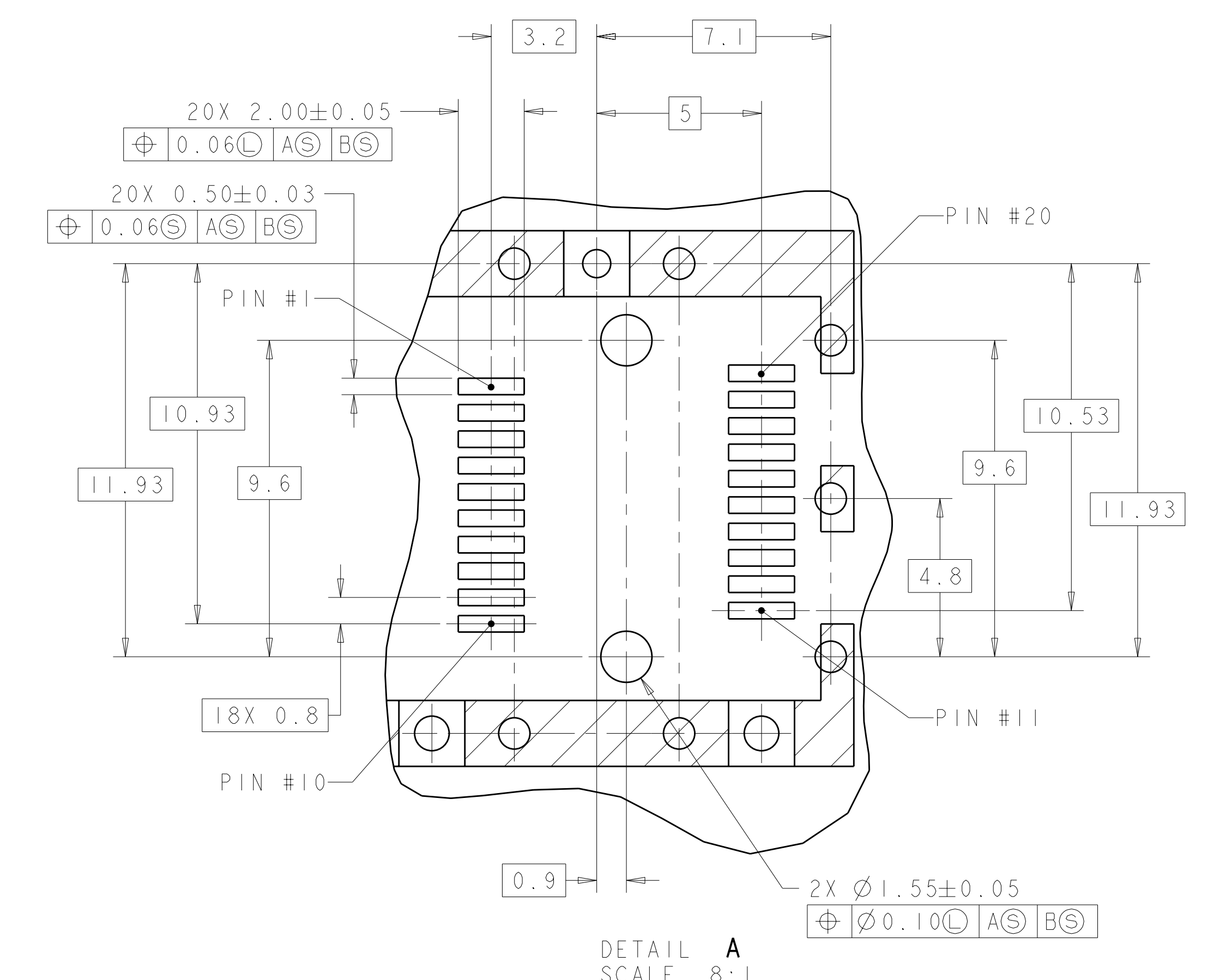
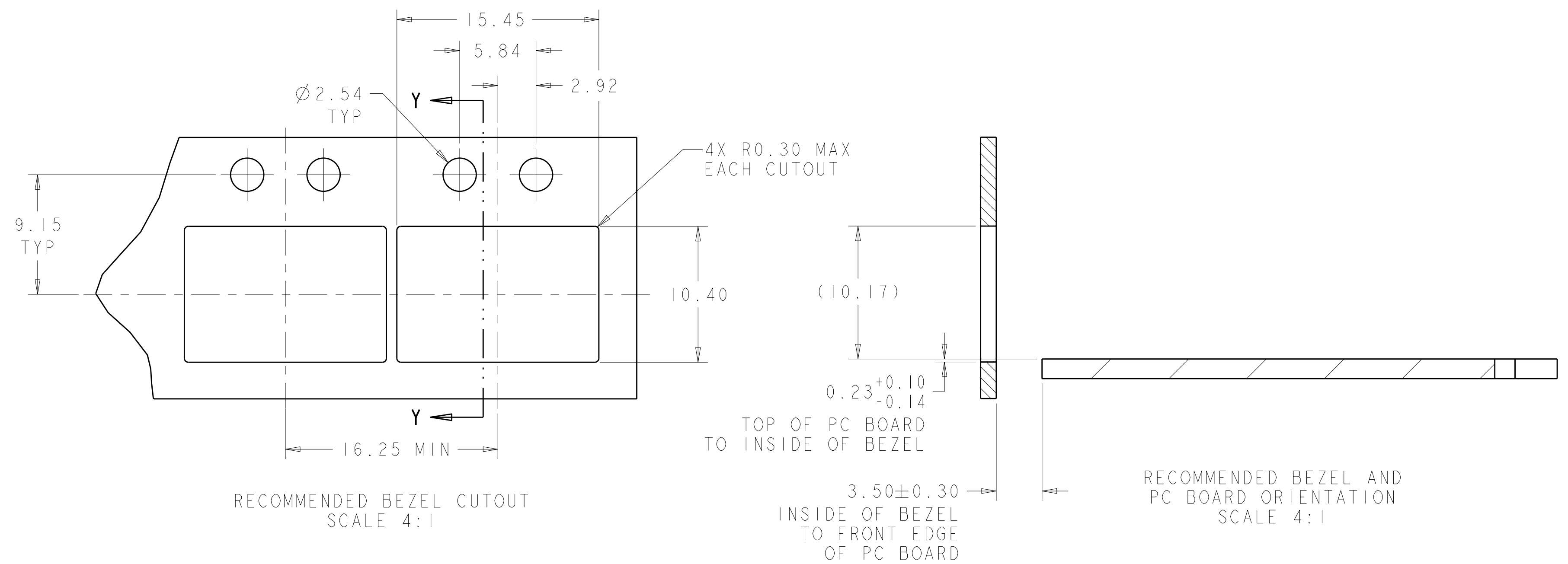
2110929-1  
 PART  
 NUMBER

THIS DRAWING IS A CONTROLLED DOCUMENT.		DWN Z. M. BEAM 31AUG2009	TE Connectivity	
DIMENSIONS: mm		CHK M. R. SCHMITT 31AUG2009	NAME SFP+ 1X1 CAGE ASSEMBLY PRESS-FIT, EXTERNAL EMI SPRINGS, WITH REDUCED LENGTH LIGHT PIPES	
TOLERANCES UNLESS OTHERWISE SPECIFIED:		APVD P. H. WERTZ 31AUG2009	PRODUCT SPEC 108-2364	
9 PLC ±0.1		APPLICATION SPEC 114-13120		
3 PLC ±0.1		SIZE CAGE CODE DRAWING NO A1100779C=2110929		
5 PLC ±0.1		RESTRICTED TO		
4 PLC ±0.05		WEIGHT		
ANGLES ±0.05		CUSTOMER DRAWING		
MATERIAL		SCALE 6:1 SHEET 1 OF 2 REV B		
FINISH				

LOC	DIST	REV	DATE	BY	APPD
GP	00				

REVISIONS		DATE	BY	APPD
1	SEE SHEET 1			



RECOMMENDED PCB LAYOUT  
SCALE 8:1

THIS DRAWING IS A CONTROLLED DOCUMENT.		DWN: Z.M.BEAM 31AUG2009	 TE Connectivity
DIMENSIONS: mm		CHK: M.R.SCHMITT 31AUG2009	
TOLERANCES UNLESS OTHERWISE SPECIFIED: 9 PLC ±0.1 5 PLC ±0.1 4 PLC ±0.05 ANGLES ±0.05		APVD: R.H.WERTZ 31AUG2009 PRODUCT SPEC: 108-2364 APPLICATION SPEC: 114-13120 WEIGHT: - CUSTOMER DRAWING	
MATERIAL: -		NAME: SFP+ IXL CAGE ASSEMBLY PRESS-FIT, EXTERNAL EMI SPRINGS, WITH REDUCED LENGTH LIGHT PIPES SIZE: CAGE CODE DRAWING NO: A100779C=2110929 RESTRICTED TO: - SCALE: 6:1 SHEET 2 OF 2 REV B	

单击下面可查看定价，库存，交付和生命周期等信息

[>>TE Connectivity\(泰科\)](#)