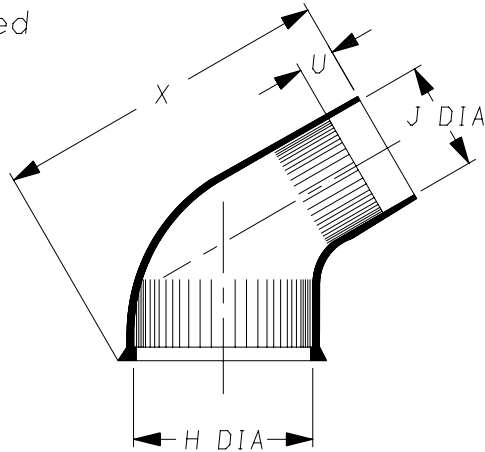
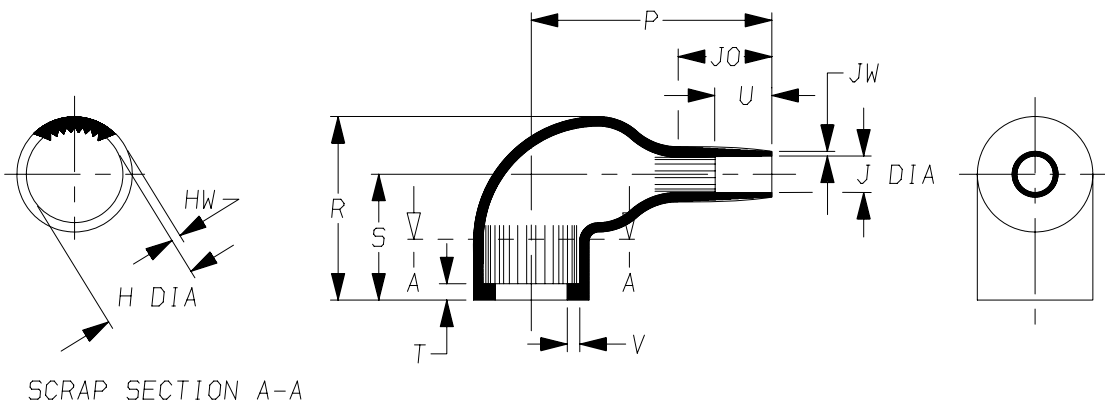


a) Part as supplied

222S1\*\*-100S



b) Part as supplied



**DIMENSIONS** in millimetres  
(in inches, for reference)

Part No.	H		J		P Ref	R ±10%	S Ref	T Ref	U		V Ref	JO Ref	X ±5%	HW ±30%	JW ±30%
	Min a	Max b	Min a	Max b					Min a	±20% b					
222S121-100S	14 {0.55}	10.4 {0.41}	10 {0.39}	5.0 {0.20}	30 {1.18}	25 {0.98}	19 {0.75}	3.0 {0.12}	5.0 {0.20}	10 {0.39}	1.0 {0.04}	15 {0.59}	47 {1.85}	1.5 {0.06}	1.0 {0.04}
222S132-100S	20 {0.79}	14.2 {0.56}	12 {0.47}	6.0 {0.24}	38 {1.50}	28 {1.10}	20 {0.79}	3.0 {0.12}	5.0 {0.20}	10 {0.39}	1.0 {0.04}	17 {0.67}	57 {2.24}	1.5 {0.06}	1.0 {0.04}
222S142-100S	26 {1.02}	18.0 {0.71}	14 {0.55}	7.2 {0.28}	42 {1.65}	31 {1.22}	21 {0.83}	3.0 {0.12}	6.0 {0.24}	10 {0.39}	1.0 {0.04}	18 {0.71}	64 {2.52}	2.0 {0.08}	1.0 {0.04}
222S152-100S	31 {1.22}	22.4 {0.88}	20 {0.79}	8.5 {0.33}	51 {2.01}	38 {1.50}	26 {1.02}	3.0 {0.12}	7.0 {0.28}	12 {0.47}	1.0 {0.04}	20 {0.79}	76 {2.99}	2.0 {0.08}	1.0 {0.04}
222S163-100S	38 {1.50}	28.2 {1.11}	24 {0.94}	10.0 {0.39}	67 {2.64}	45 {1.77}	30 {1.18}	3.0 {0.12}	12 {0.47}	20 {0.79}	1.7 {0.07}	28 {1.10}	92 {3.62}	2.2 {0.09}	1.5 {0.06}
222S174-100S	41 {1.61}	35.1 {1.38}	32 {1.26}	15.8 {0.62}	80 {3.15}	54 {2.13}	36 {1.42}	3.0 {0.12}	12 {0.47}	20 {0.79}	1.7 {0.07}	31 {1.22}	111 {4.37}	3.0 {0.12}	1.5 {0.06}

**Copyright (!)**

The copyright in this drawing is the property of Tyco Electronics UK Ltd. The drawing is issued on the condition that it is not copied, reproduced or disclosed to a third party, either in whole or in part without the prior written consent of Tyco Electronics UK Ltd.

Drawn A.LILLEY. Checked

Issue 5

Date March 2008

Conforms to ISO Recommendations

Approval

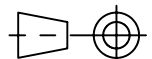
3rd Angle Projection

Design

MKTG.

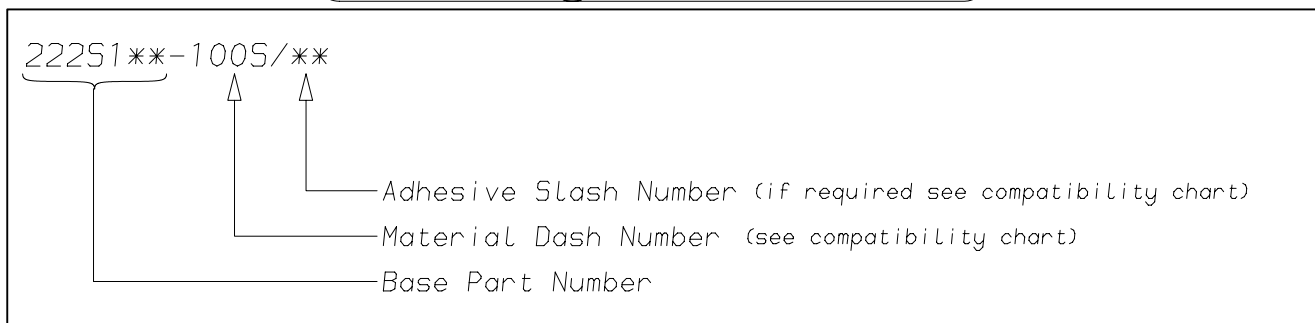
Tech.

Not to Scale



<b>Raychem</b>		<b>Specification Control Drawing</b>	Part Number 222S1**-100S Issue 5
Iss.	Date	E.C.R. No.	Details of Change
3	June 1988	4668	Xa changed
4	December 2006	CR06-HM-012	Imperial dimensions added
5	March 2008	CR08-HM-005	Note 2 (RW spec) added

### (Ordering Information)



### (COMPATIBILITY CHART)

Material Dash Number	Material Description	SPEC Number	Coating Slash Number
-1005	ZEROHALOGEN/COPPER COMPOSITE	RW-2078	/86

#### NOTES

- ① As supplied dimensions are for uncoated parts, when coating is added entry diameters will reduce by 1.5mm Max.
- ② For method of measuring recovered diameter, see appropriate RW specification (SPEC Number), section 2.2,

Tyco Electronics UK Ltd. Faraday Road, Swindon, Wiltshire, SN3 5HH England Telephone: (01793) 528171 Fax: 572516	Tyco Electronics Corporation 300, Constitution Drive, Menlo Park, CA 94025 USA Telephone (650) 361-3860 Fax: (650) 361-5579
Cage Code K1010	Cage Code 06090

单击下面可查看定价，库存，交付和生命周期等信息

[>>TE Connectivity\(泰科\)](#)