

THIS DRAWING IS UNPUBLISHED.

RELEASED FOR PUBLICATION JAN , 2007.

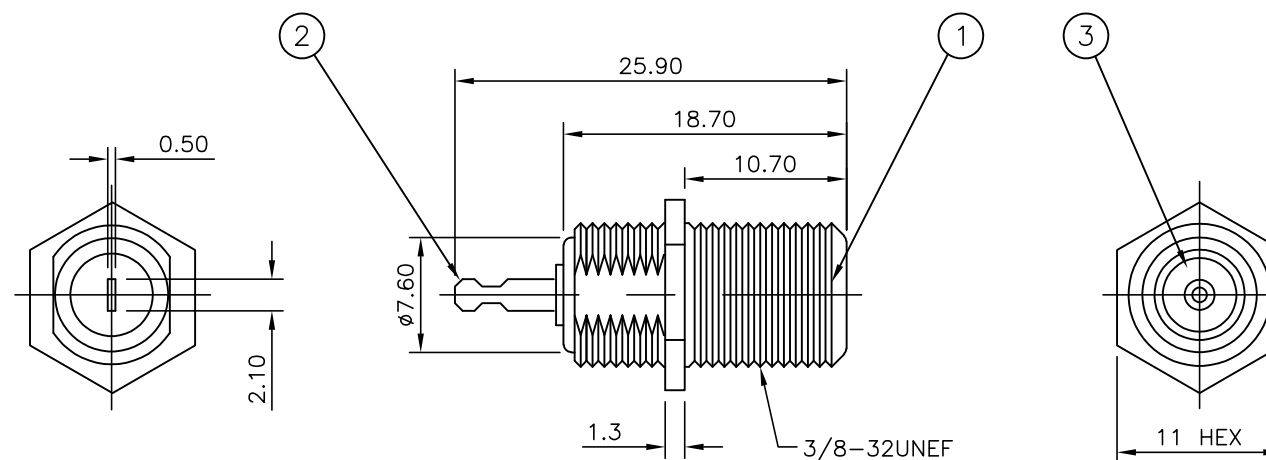
© COPYRIGHT 2007 By -

ALL RIGHTS RESERVED.

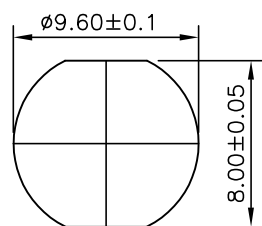
LOC	DIST	REVISIONS			
P	LTR	DESCRIPTION	DATE	DWN	APVD
E	B	C1	REVISED PER ECO-11-005033	01APR11	RK HMR
		D	REVISED PER ECO-11-021675	02NOV11	TITAN MARTIN

NOTES

- 1 SINGLE PACK IN ACCORDANCE WITH AMP SPEC 107-3275
- 2 50 TRAY PACK IN ACCORDANCE WITH AMP SPEC 107-3275
- 3 NICKEL PLATING
- 4 TIN PLATING
- 5 FOR TECHNICAL DATA REFER TO YOUR LOCAL TE CONNECTIVITY SALES OFFICE
- 6 ALL DIMENSIONS ARE NOMINAL FOR REFERENCE ONLY UNLESS OTHERWISE STATED



RECOMMENDED MOUNTING HOLE



QTY	QTY PER ASSY	DESCRIPTION	ITEM
1	1	POLYPROPYLENE INSULATOR	3
1	1	PHOSPHOS BRONZE CONTACT	2
1	1	ZINC ALLOY BODY	1
5	15	MATERIAL	0

THIS DRAWING IS A CONTROLLED DOCUMENT.		DWN ANSON MA 14FEB09	STE TE Connectivity	
DIMENSIONS: mm		CHK RITA ZUO 14FEB09		
TOLERANCES UNLESS OTHERWISE SPECIFIED:		APVD BOB ZHAO 14FEB09	NAME	
0 PLC ± -		F TYPE BULKHEAD SOCKET		
1 PLC ± -		75 OHMS		
2 PLC ± -		108-112000		
3 PLC ± -		APPLICATION SPEC		
4 PLC ± -		SIZE CAGE CODE DRAWING NO RESTRICTED TO		
ANGLES ± -		A3 00779 C-1814823		
FINISH		SCALE NTS SHEET 1 OF 1 REV D		
MATERIAL		CUSTOMER DRAWING		

单击下面可查看定价，库存，交付和生命周期等信息

[>>TE Connectivity\(泰科\)](#)