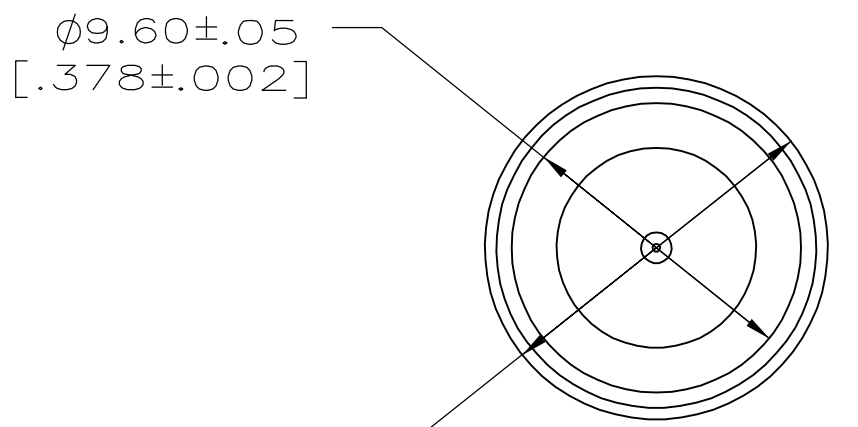
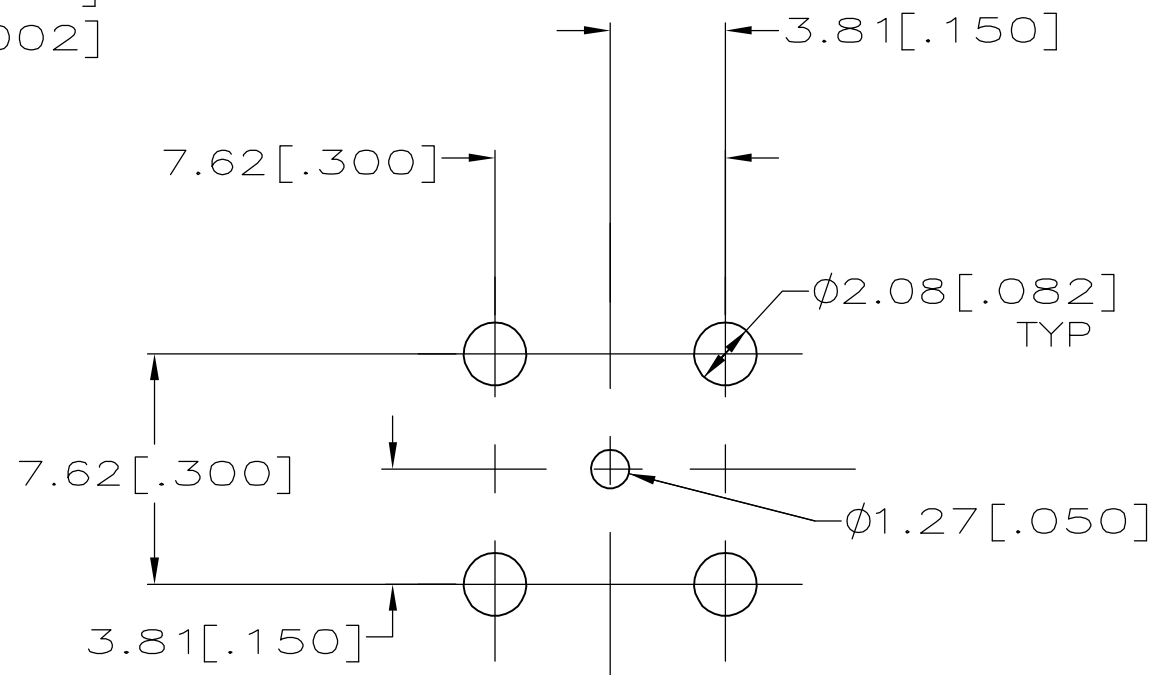
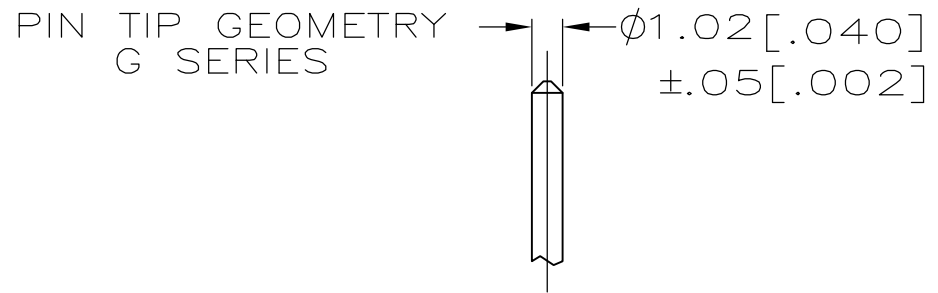
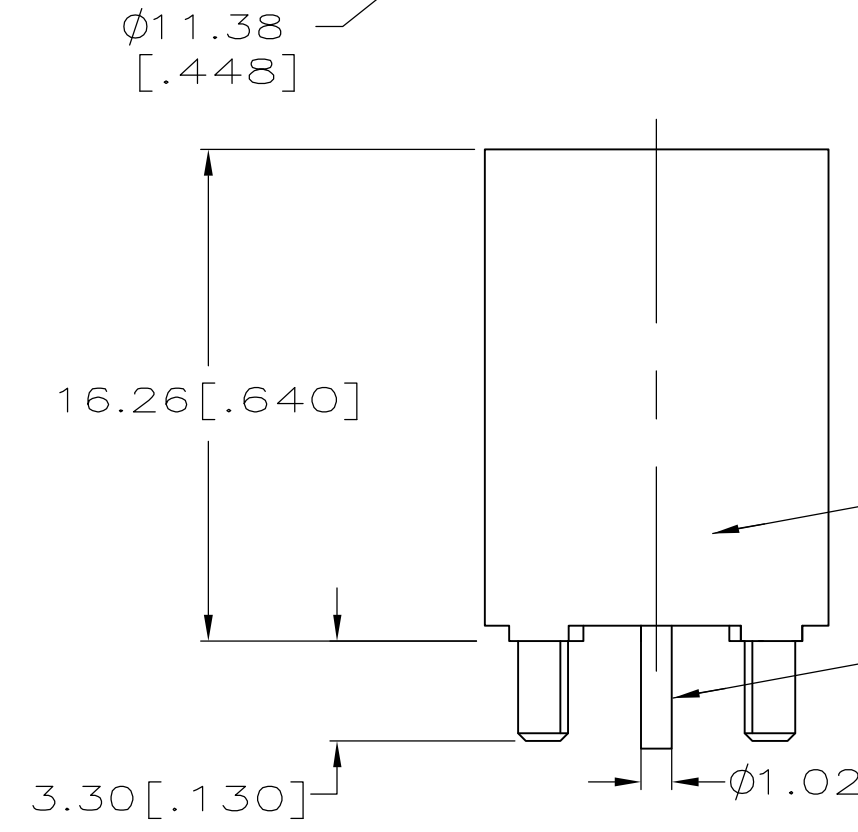


THIS DRAWING IS UNPUBLISHED. RELEASED FOR PUBLICATION  
 © COPYRIGHT - BY TYCO ELECTRONICS CORPORATION. ALL RIGHTS RESERVED.

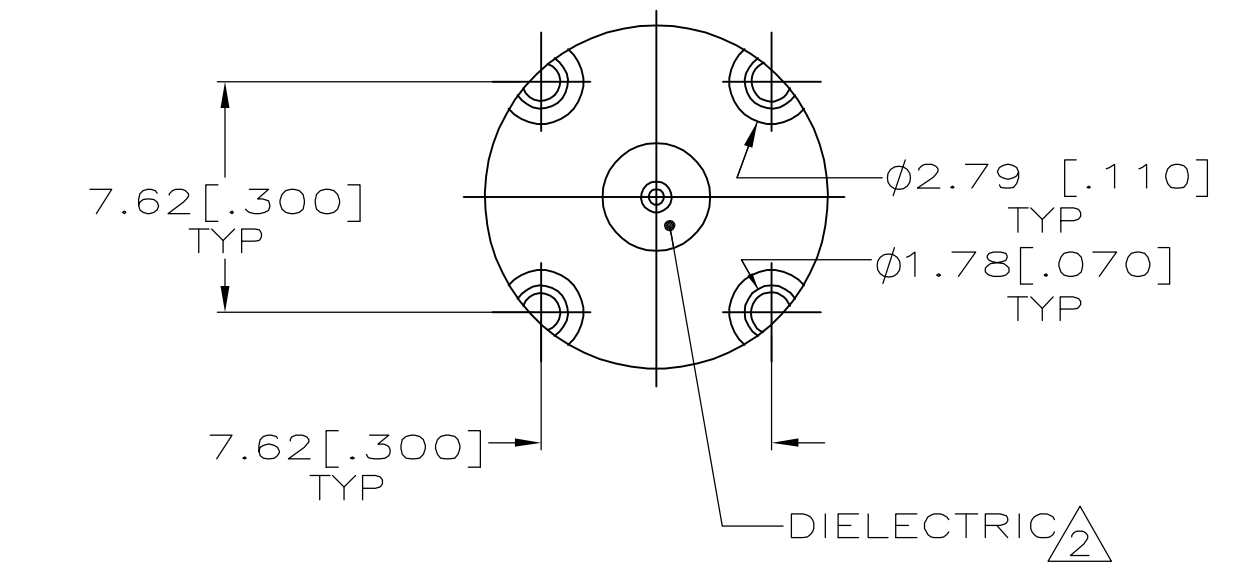
LOC	DIST	REVISIONS					
AJ	16	P	LTR	DESCRIPTION	DATE	DWN	APVD
		0		REV PER EC-0S14-0496-04	02FEB2005	LV	KW



- ① ZINC PER QQ-Z-363.
- ② ACETAL, GENERAL PURPOSE.
- ③ TIN PLATE PER ASTM-B-545  
3.81 $\mu$ m [.000150] MINIMUM THICK.
- 4. CONNECTOR DESIGNED FOR 75 OHM CHARACTERISTIC IMPEDANCE.
- 5. CONNECTOR DESIGNED FOR 22 DB MINIMUM RETURN LOSS FROM 5 TO 400 MHZ.
- ⑥ BRASS PER ASTM-B-16.



PCB CONFIGURATION  
TOLERANCE: ±.07 [.003]



6274045-1  
PART NUMBER

THIS DRAWING IS A CONTROLLED DOCUMENT.		DWN L. VARELA - DOCK5	20FEB2005			Tyco Electronics Corporation	
		CHK J. HAVENER	02FEB2005			Harrisburg, Pa 17105-3608	
		APVD K. WEIDNER	02FEB2005		NAME		
		PRODUCT SPEC			PLUG, VERTICAL, PCB, G SERIES		
		APPLICATION SPEC			RESTRICTED TO		
DIMENSIONS: mm [INCHES]		TOLERANCES UNLESS OTHERWISE SPECIFIED:		SIZE		CAGE CODE	DRAWING NO
		0 PLC ± - 1 PLC ± - 2 PLC ± - 3 PLC ± .020 [.005] 4 PLC ± - ANGLES ± -		A3		00779	C-6274045
MATERIAL		FINISH		WEIGHT		SCALE	
-		-		-		4:1	
CUSTOMER DRAWING				SHEET		REV	
				1 OF 1		0	

单击下面可查看定价，库存，交付和生命周期等信息

[>>TE Connectivity\(泰科\)](#)