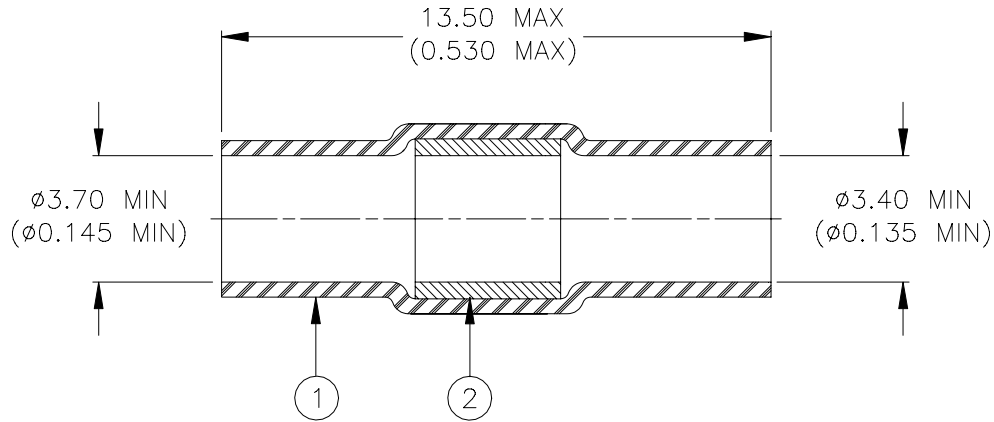


## SPECIFICATION CONTROL DRAWING



### MATERIALS

1. INSULATION SLEEVE: Heat-shrinkable, transparent blue, radiation cross-linked polyvinylidene fluoride.
2. SOLDER PREFORM WITH FLUX:
  - SOLDER: TYPE Sn63 Pb37 per ANSI/J-STD-006.
  - FLUX: TYPE ROM1 per ANSI/J-STD-004.

### APPLICATION

1. This part is designed for use in attaching a wire onto a post. They may be used on cables rated for at least  $125^{\circ}\text{C}$ .
2. Parts will meet the requirements of Raychem Specification RT-1404 when installed properly.
3. Temperature Rating:  $-55^{\circ}\text{C}$  to  $+125^{\circ}\text{C}$ .

<b>tyco</b> <b>Electronics</b>		<b>Raychem Products</b> 305 Constitution Drive Menlo Park, CA 94025, USA		TITLE :  <b>SOLDERSLEEVE DEVICE</b>			
Unless otherwise specified dimensions are in millimeters. Inches dimensions are in between brackets.				DOCUMENT NO.: <b>D-110-0056</b>			
TOLERANCES: 0.00 N/A 0.0 N/A 0 N/A	ANGLES: N/A  ROUGHNESS IN MICRON	Tyco Electronics reserves the right to amend this drawing at any time. Users should evaluate the suitability of the product for their application.		DCR NUMBER: <b>D020228</b>	REPLACES: <b>D980609</b>		
DRAWN BY: <b>mforonda</b>	DATE: <b>08-July-02</b>	PROD. REV. <b>C</b>	DOC ISSUE: <b>2</b>	SCALE: <b>None</b>	SIZE: <b>A</b>	SHEET: <b>1 of 1</b>	

If this document is printed it becomes uncontrolled. Check for the latest revision.

单击下面可查看定价，库存，交付和生命周期等信息

[>>TE Connectivity\(泰科\)](#)