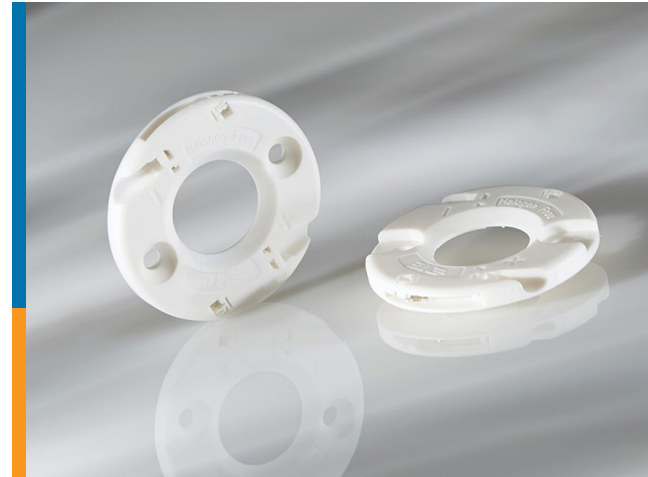


# LUMAWISE LED HOLDER TYPE Z35

19\*19mm and 16\*19mm  
LED Board Sizes

TE Connectivity (TE)'s LUMAWISE LED Holder Type Z35 is suitable for LED board sizes 19\*19mm and 16\*19mm from various LED manufacturers. This LED Holder offers higher level of integration via a solderless connection to chip-on-board (COB) LEDs using standard pan-head and countersunk screws. The Type Z35 LED holder enables quick and easy LED assembly through tape-in LED retention and provides easy attachment of secondary optics. TE's LUMAWISE LED Holder is Zhaga book 11 inspired.



## Applications

- Spot Lights
- Track Lights
- Recessed Downlights
- High Bay Lights
- Retrofit Lamps
- Wall Sconces
- Street Lights
- Runway Lights
- Architectural Lighting
- Reading lamps
- Sign and symbol luminaires
- Area and object lighting

## Electrical

- Current rating: 3A (max)
- Voltage rating: 60 VDC

## Mechanical

- Operating temperature range: -40 to +105 °C
- Uses M3 or #4-40 screws
- Poke-in electrical contact support: 18 AWG and 20 AWG solid, fused and stranded wire
- 35 mm diameter by 3.6 mm height (max)

## Specifications

- Product specification: [108-133062](#)
- Application specifications: [114-133062](#)
- UL 8754 approved
- IEC 60838-2-2 approved

## Materials

- Halogen free and red phosphorus free plastic housing material
- UL 94 V0 rating

## Benefits

- Enable a higher level of integration through a solderless connection
- Achieve quick and easy LED assembly through tape-in LED retention
- Ease termination with integrated poke-in wire termination
- High-reflectivity, halogen free and red phosphorus free plastic housing material

### Product Selection Information

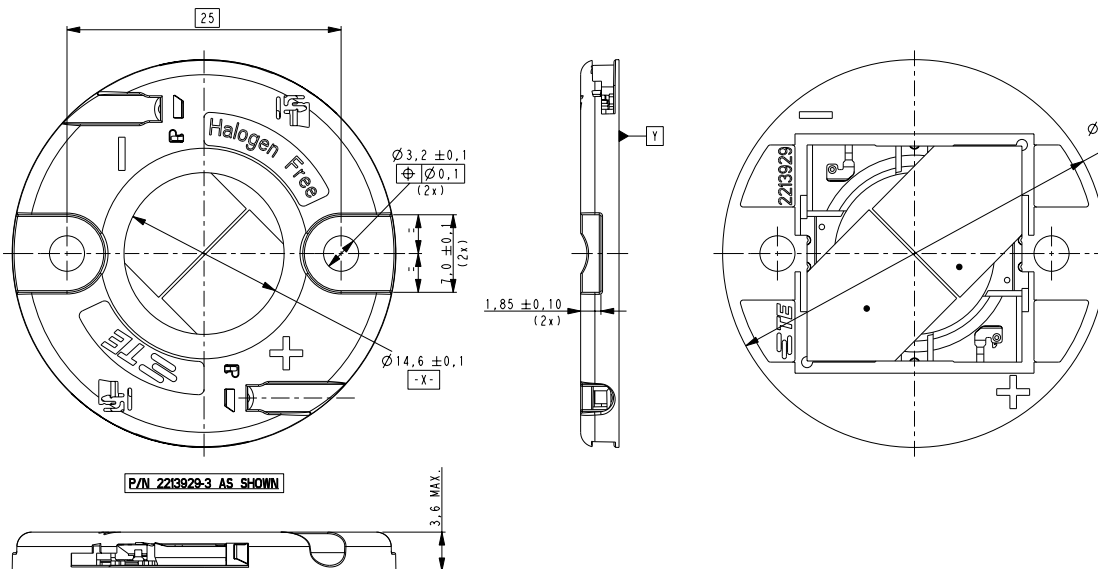
Part Number	Description	Attachment
<a href="#">2213929-3</a>	Z35 MINI LED HOLDER 19*19 (A) PANHEAD*	Pan Head Screw
<a href="#">2213929-4</a>	Z35 MINI LED HOLDER 19*19 (A) CSK*	Counter Sunk Screw
<a href="#">2213929-7</a>	Z35 MINI LED HDR 19*19 (B) PANHEAD*	Pan Head Screw
<a href="#">2213929-8</a>	Z35 MINI LED HDR 19*19 (B) CSK*	Counter Sunk Screw

Part Number	Description	Attachment
<a href="#">2213929-5</a>	Z35 MINI LED HOLDER 16*19 PANHEAD	Pan Head Screw
<a href="#">2213929-6</a>	Z35 MINI LED HOLDER 16*19 CSK	Counter Sunk Screw

\*(A) vs. (B) - See product drawing for information

### Dimensions

All dimensions are in mm



This drawing is subject to change. For latest version, please visit [TE.com](http://TE.com).

te.com

© 2017 TE Connectivity. All Rights Reserved. LUMAWISE, TE, TE Connectivity, and the TE connectivity (logo) are trademarks of the TE Connectivity Ltd. family of companies. Other logos, product and Company names mentioned herein may be trademarks of their respective owners.

While TE has made every reasonable effort to ensure the accuracy of the information in this brochure, TE does not guarantee that it is error-free, nor does TE make any other representation, warranty or guarantee that the information is accurate, correct, reliable or current. TE reserves the right to make any adjustments to the information contained herein at any time without notice. TE expressly disclaims all implied warranties regarding the information contained herein, including, but not limited to, any implied warranties of merchantability or fitness for a particular purpose. The dimensions in this catalog are for reference purposes only and are subject to change without notice. Specifications are subject to change without notice. Consult TE for the latest dimensions and design specifications.

1-1773924-2 FS 6/2017

USA: +1 (800) 522-6752  
 Canada: +1 (905) 475-6222  
 Mexico: +52 (0) 55-1106-0800  
 Latin/S. America: +54 (0) 11-4733-2200  
 Germany: +49 (0) 6251-133-1999  
 UK: +44 (0) 800-267666  
 France: +33 (0) 1-3420-8686  
 The Netherlands: +31 (0) 73-6246-999  
 China: +86 (0) 400-820-6015

单击下面可查看定价，库存，交付和生命周期等信息

[>>TE Connectivity\(泰科\)](#)