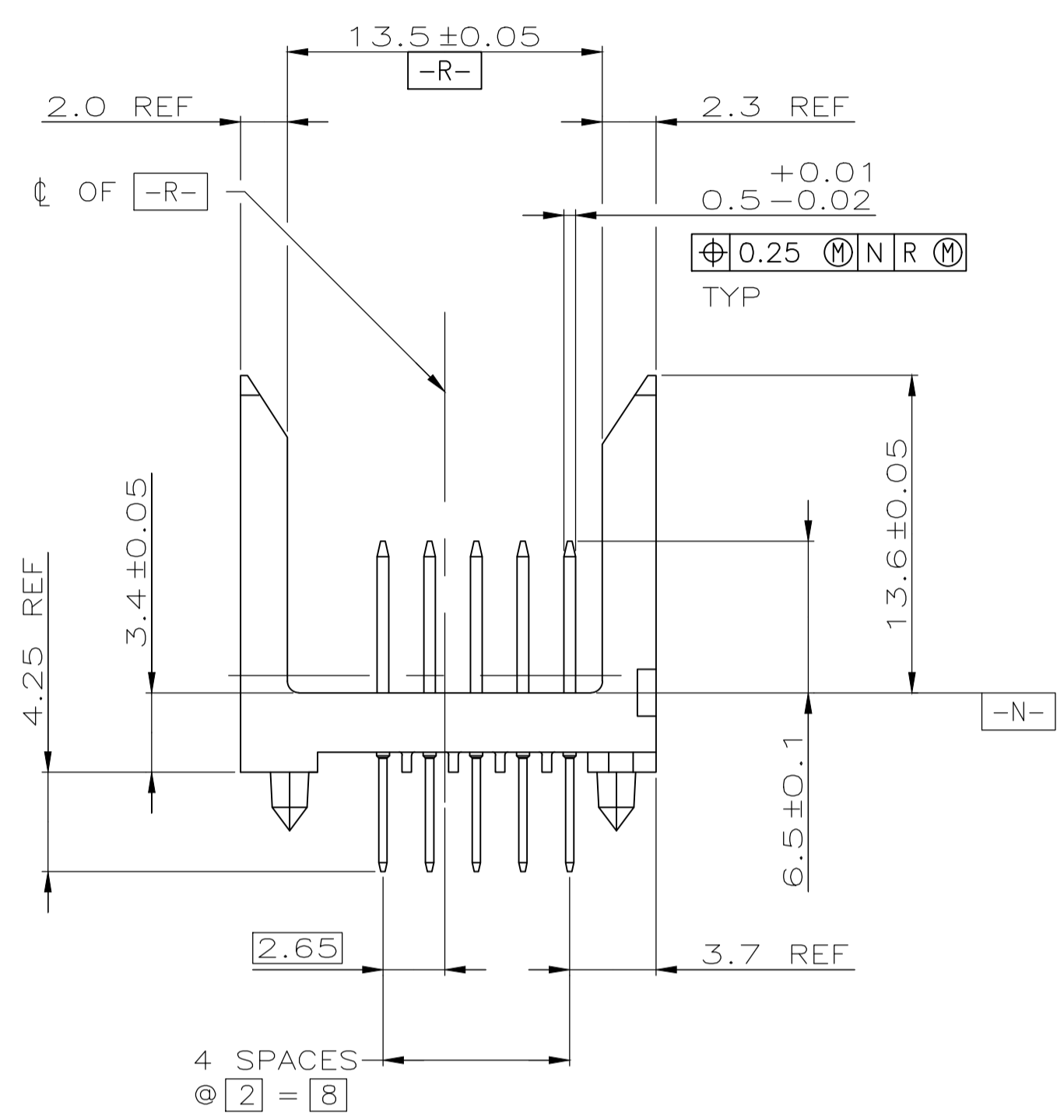
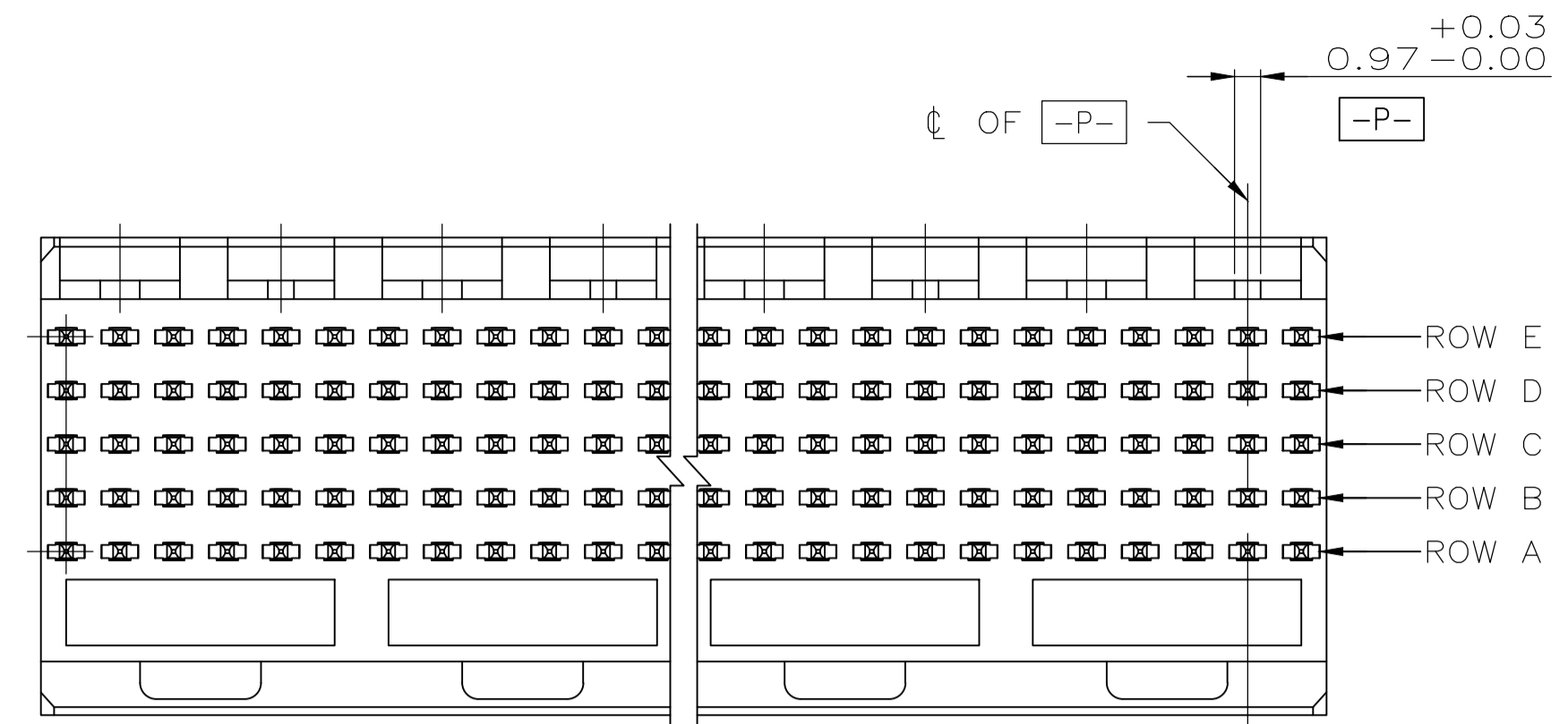
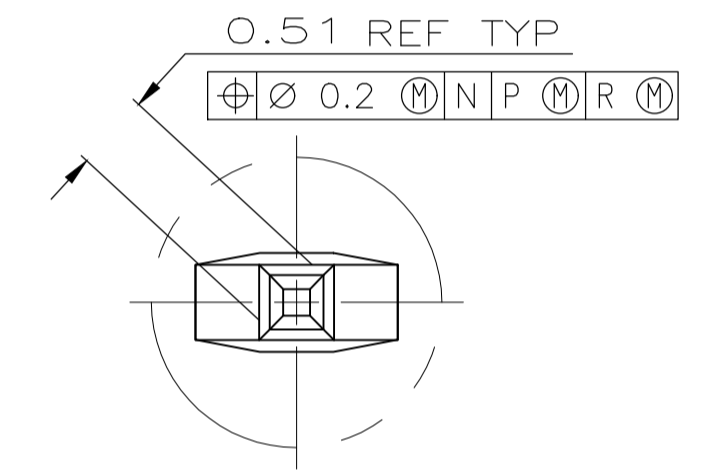
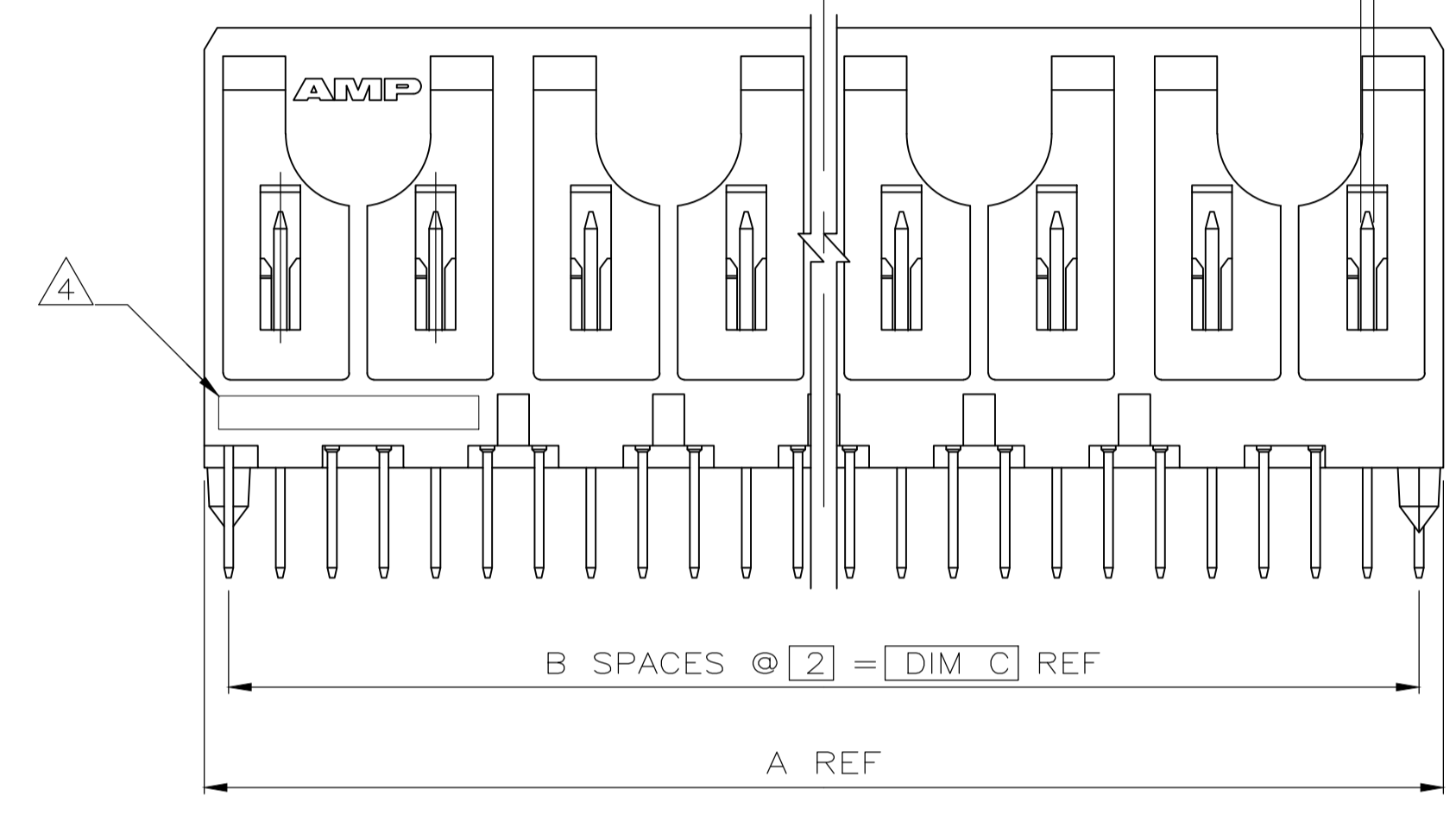


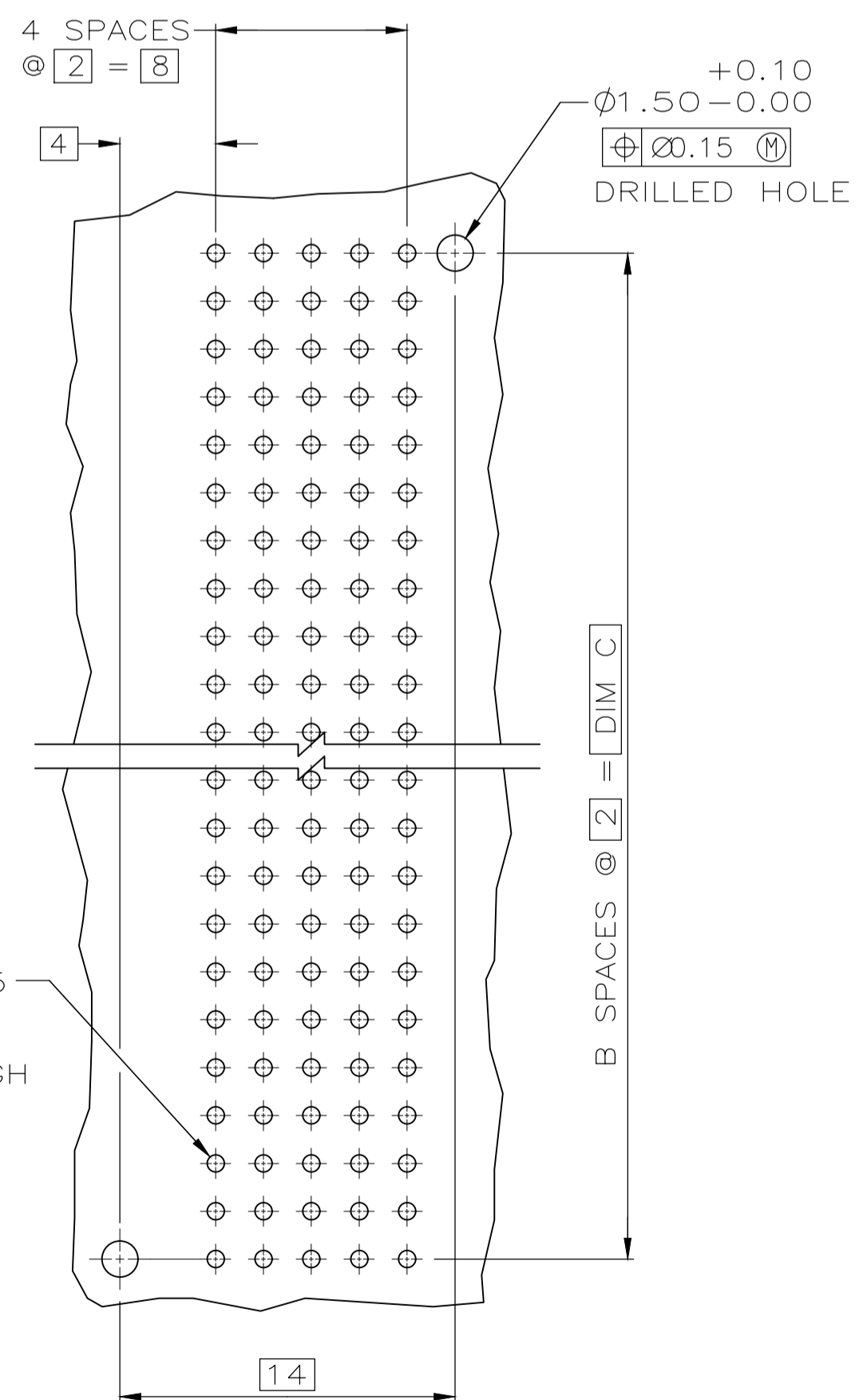
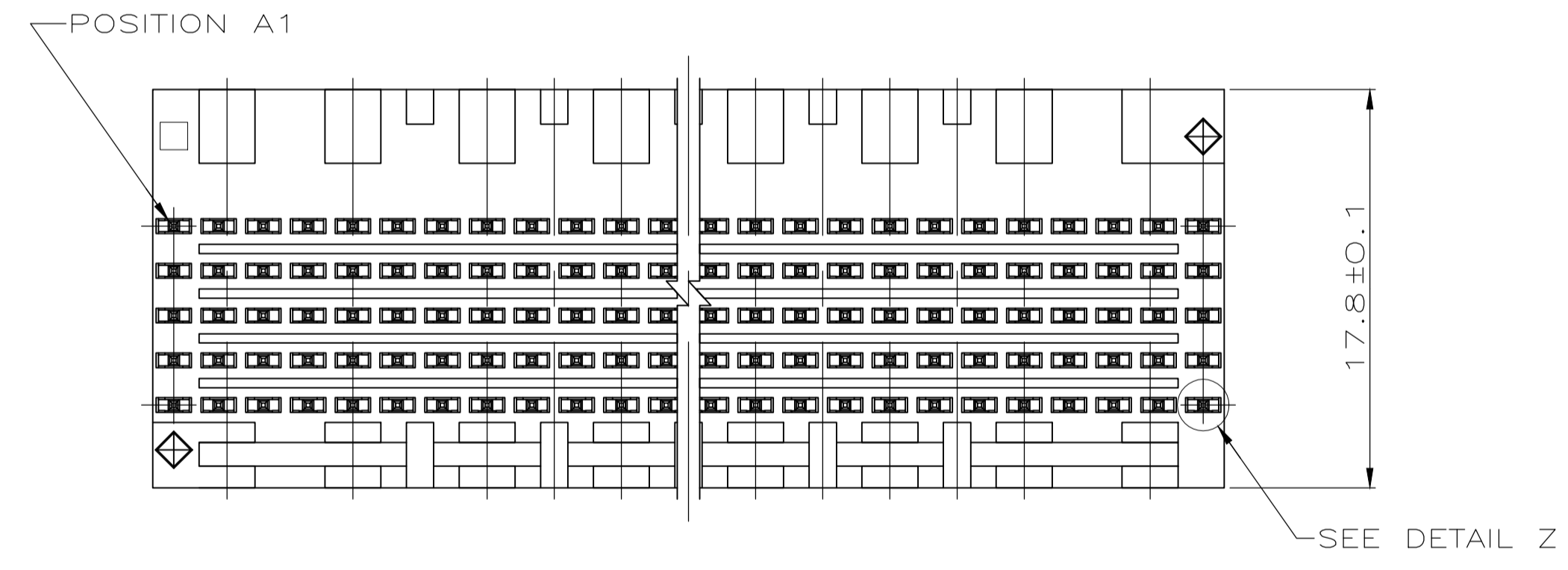
LOC		DIST		REVISIONS			
ES	00	P	LTN	DESCRIPTION	DATE	DN	APVD
		J		REVISED PER ECO-15-003999	13MAR15	D.S	F.Y
		K		REVISED PER ECO-19-007187	13MAY19	D.S	H.L



- 1 HOUSING MATERIAL: LIQUID CRYSTAL POLYMER
COLOR: NATURAL.
- 2 CONTACT MATERIAL: PHOSPHOR BRONZE
- 3 CONTACT FINISH:
UNDERPLATE (ENTIRE CONTACT):
0.00127 MIN NICKEL.
ON MATING SURFACES:
CONFORMS TO ALL TESTING SPECIFIED FOR TELCORDIA UNCONTROLLED ENVIRONMENT.
ON LEADS
0.00381 MIN TIN-LEAD OVER UNDERPLATE.
LUBRICATION (ENTIRE CONTACT):
SURFACE CONDITIONER PER AMP SPEC 112-1002 AFTER PLATING.
- 4 PART MARKING LOCATED APPROXIMATELY AS SHOWN.
- 5 OBSOLETE PARTS: OBSOLETE CIS STREAMLINING PER D.RENAUD/D.SINISI



DETAIL Z
SCALE 20:1



RECOMMENDED CIRCUIT PATTERN
(COMPONENT SIDE)

5	OBSOLETE	130	65	131.88	3	330	4-223000-1
	OBSOLETE	118	59	119.88	3	300	1-223000-0
5	OBSOLETE	106	53	107.88	3	270	223000-9
5	SUPERSEDED BY 5223000-8	94	47	95.88	3	240	223000-8
5	OBSOLETE	82	41	83.88	3	210	223000-7
	SUPERSEDED	70	35	71.88	3	180	223000-6
		58	29	59.88	3	150	223000-5
	OBSOLETE	46	23	47.88	3	120	223000-4
		34	17	35.88	3	90	223000-3
	OBSOLETE	22	11	23.88	3	60	223000-2
		10	5	11.88	3	30	223000-1
		C	B	A	FINISH	NO OF SIGNAL POSN	PART NUMBER

THIS DRAWING IS A CONTROLLED DOCUMENT.

APPROVED: R. BUCHHEISTER 10/JAN/96
CHK: D. BAECHTLE 11/JAN/96
APPROVED: D. SINISI 11/JAN/96

TE Connectivity

ASSEMBLY, PIN, SIGNAL, VERTICAL, Z-PACK 2mm FB, 5 ROW, SOLDER LEAD

SIZE: A1 CAGE CODE: 00779 DRAWING NO: C-223000

MATERIAL: FINISH: CUSTOMER DRAWING

SCALE: 4:1 SHEET: 1 OF 1 REV: K

单击下面可查看定价，库存，交付和生命周期等信息

[>>TE Connectivity\(泰科\)](#)