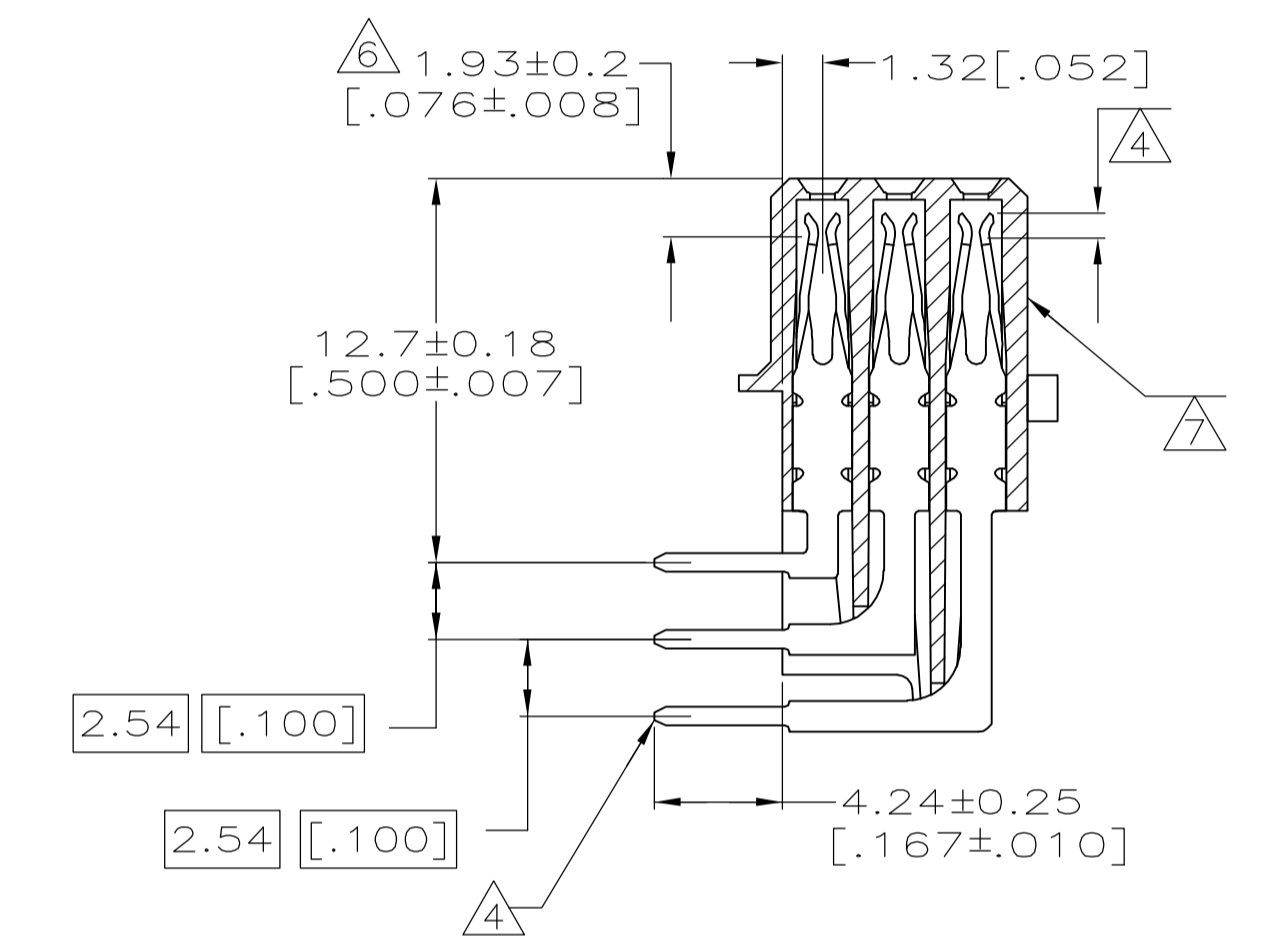
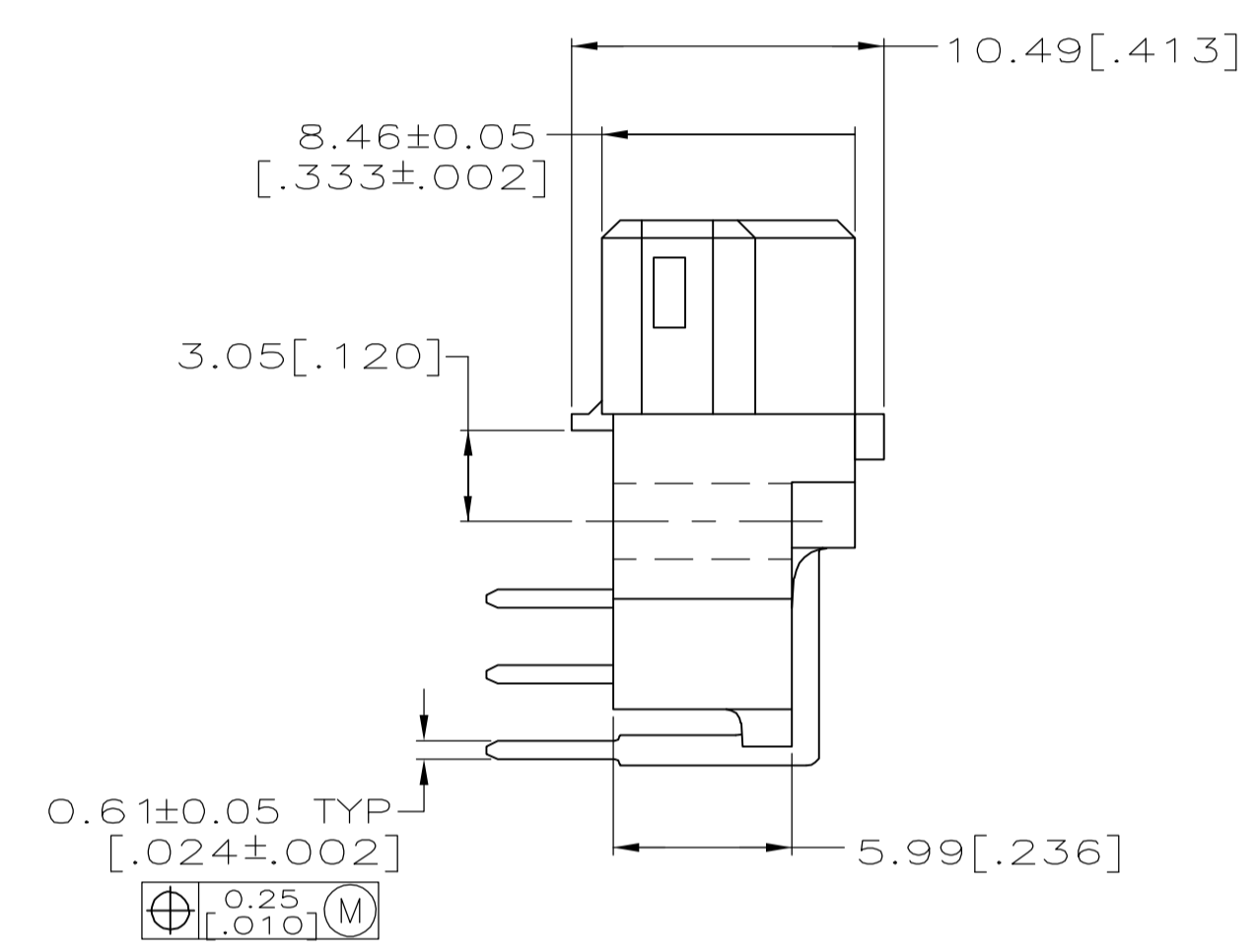
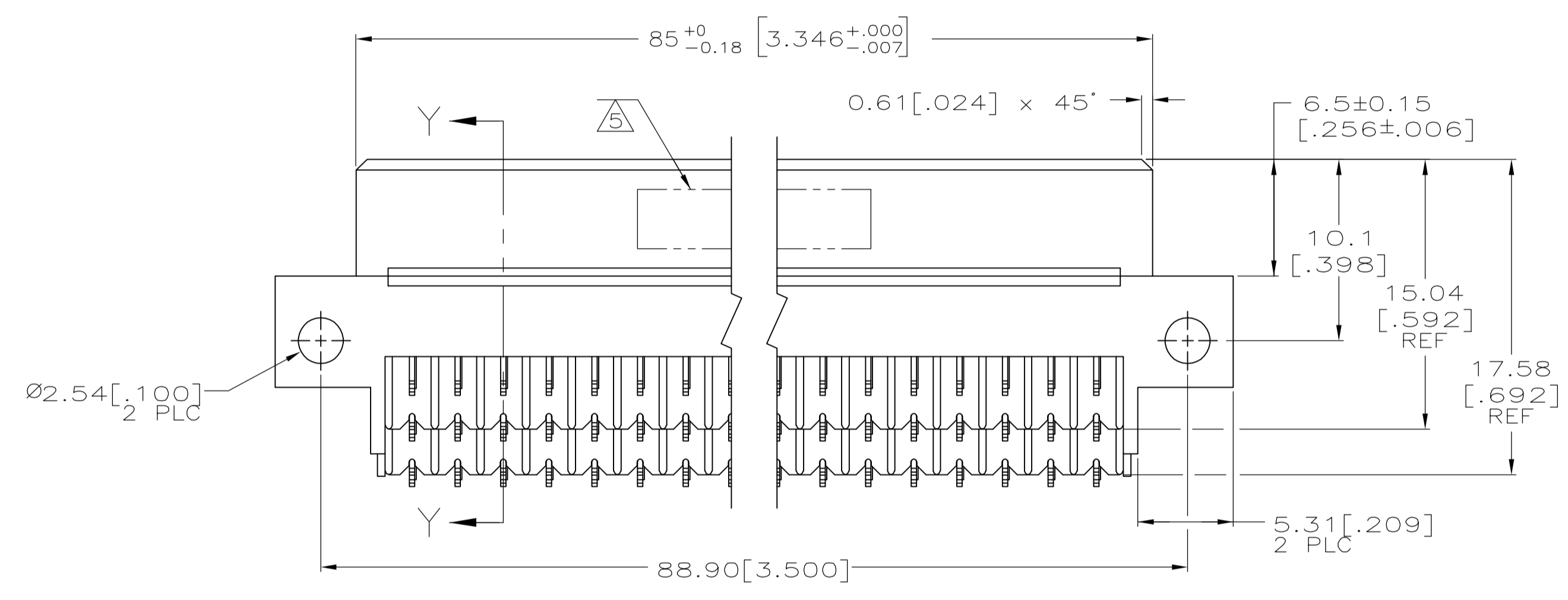
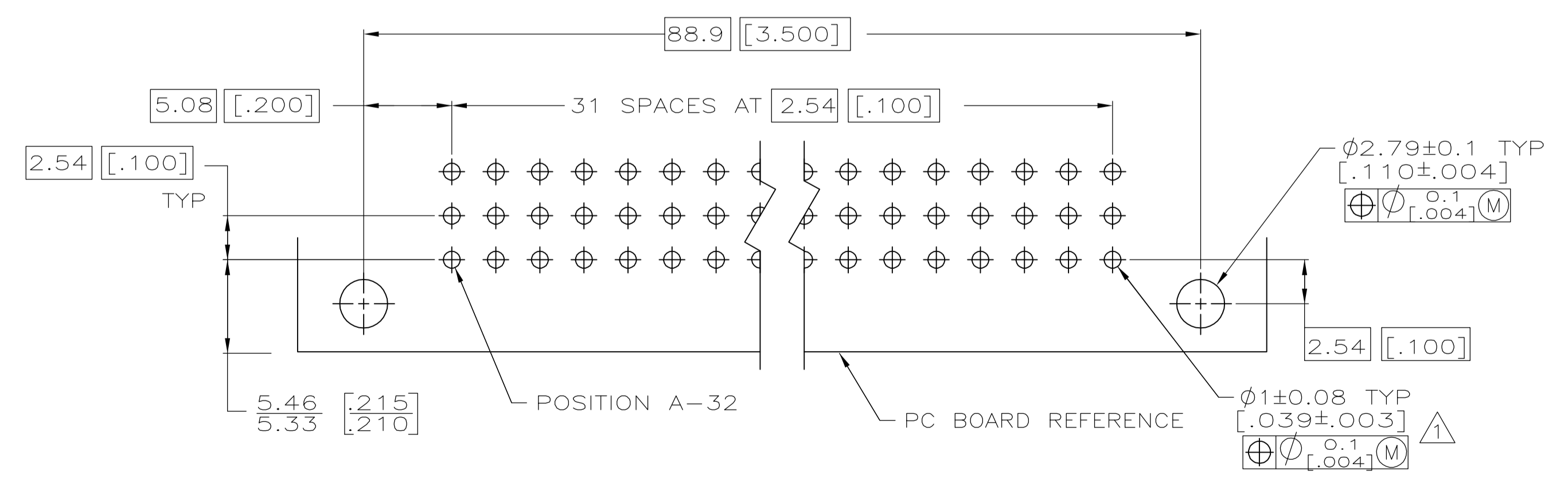
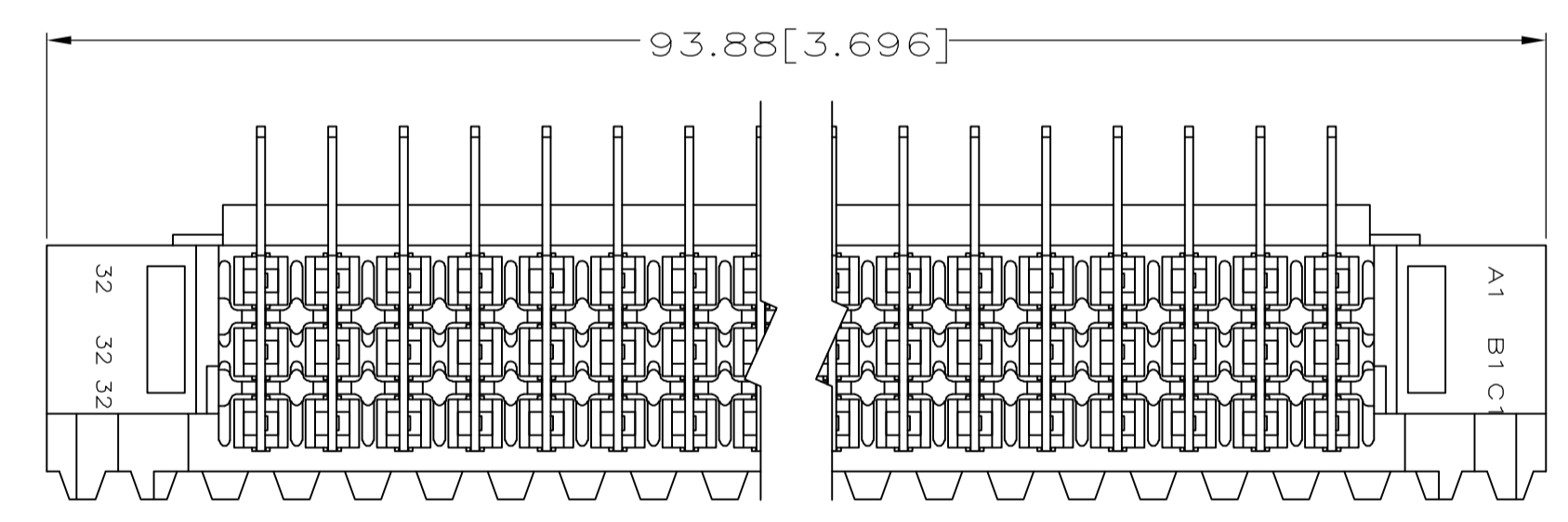


- 1 RECOMMENDED HOLE SIZE FOR MANUAL APPLICATION OF CONNECTOR ONTO PC BOARD.
- 2 HOUSING MATERIAL: GLASS-FILLED POLYMER.
- 3 CONTACT MATERIAL: COPPER ALLOY.
- 4 CONTACT FINISH: DIN 41612 CLASS 2 IN CONTACT AREA. TIN PLATE ON POSTS.
- 5 PART NUMBER, DATE CODE IDENTIFICATION, CSA LOGO THIS APPROXIMATE AREA.
- 6 CONTACT POINT.
- 7 MARKING ON THIS SIDE.



SECTION Y-Y



PC BOARD LAYOUT

NOTES	POSITIONS LOADED	ROWS LOADED	NO. OF LOADED POSITION	ASSY PART NUMBER
1 THRU 32	X X X	X	96	5650462-5
1 THRU 32	X X X	X	96	5650462-4

THIS DRAWING IS A CONTROLLED DOCUMENT.

DIMENSIONS: mm [INCHES]	TOLERANCES UNLESS OTHERWISE SPECIFIED:	DIN J. POLIGNONE	03JUN05	<b>tyco</b> Electronics	Tyco Electronics Corporation Harrisburg, Pa 17105-3608
$\phi$	0 PLC ± -	CHK A. SHARPE	03JUN05	NAME	ASSEMBLY, RECEPTACLE, EUROCARD, TYPE R, LEAD-FREE, 96 POSITION, 4.24[.167] SOLDER POSTS
$\phi$	1 PLC ± -	APVD A. SHARPE	03JUN05	APPLICATION SPEC	SIZE
$\phi$	2 PLC ± 0.13[.005]			WEIGHT	A1 00779 C=5650462
$\phi$	3 PLC ± -			CUSTOMER DRAWING	SCALE 4:1 SHEET 1 OF 1 REV 0
$\phi$	4 PLC ± -				
ANGLES	± -				
FINISH	± -				

单击下面可查看定价，库存，交付和生命周期等信息

[>>TE Connectivity\(泰科\)](#)