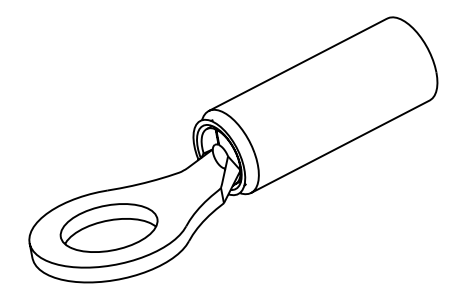
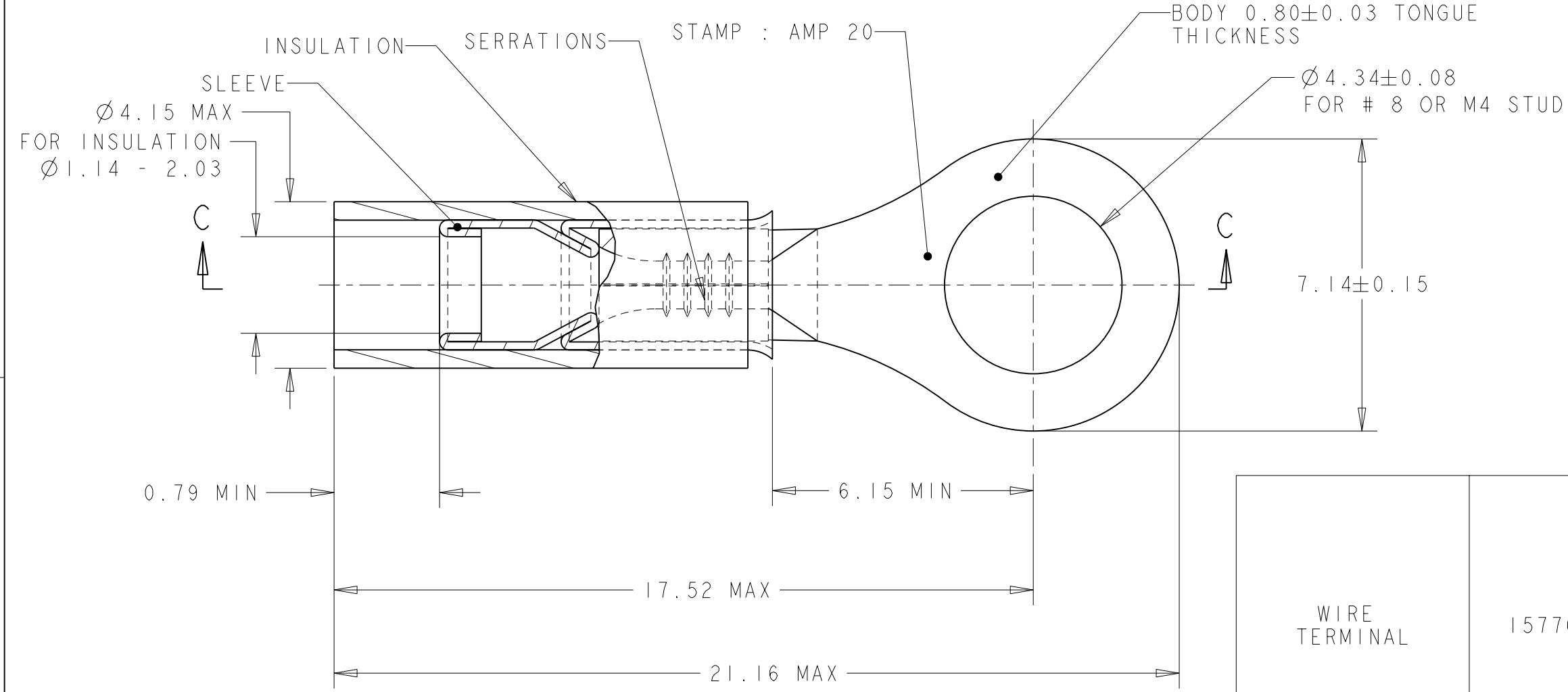
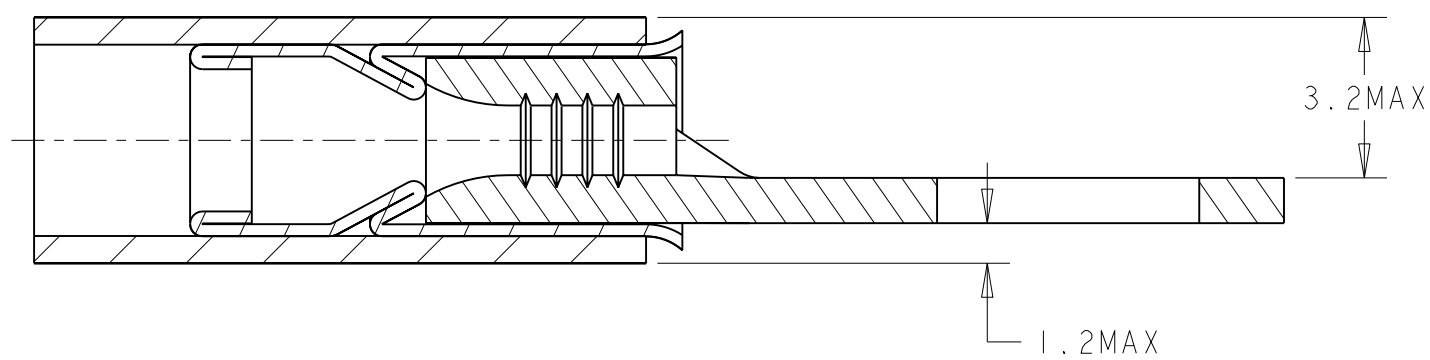


THIS DRAWING IS UNPUBLISHED. RELEASED FOR PUBLICATION 20
 © COPYRIGHT 20 BY TYCO ELECTRONICS CORPORATION. ALL RIGHTS RESERVED.

LOC	DIST	REVISIONS			
P	LTR	DESCRIPTION	DATE	DWN	APVD
F	00	B	ECR 07-025006	24OCT2007	JT GR

COUPE C-C



SCALE 3:1

WIRE TERMINAL	1577623-1	BODY : COPPER ANNEALED FINISH : NICKEL PLATED
		SLEEVE : COPPER ANNEALED FINISH : NICKEL PLATED
		INSULATION : PEEK COLOR : GREY
DESCRIPTION	PART NUMBER	MATERIAL & FINISH

THIS DRAWING IS A CONTROLLED DOCUMENT FOR TYCO ELECTRONICS CORPORATION. IT IS SUBJECT TO CHANGE AND THE CONTROLLING ENGINEERING ORGANIZATION SHOULD BE CONTACTED FOR THE LATEST REVISION.		DWN	02NOV2005	TYCO ELECTRONICS France SAS BP 30039, 95301 CERGY-PONTOISE Cedex	
DIMENSIONS: mm		CHK	02NOV2005		
TOLERANCES UNLESS OTHERWISE SPECIFIED:		APVD		NAME TERMINAL, PEEK PIDG STRATO, 20 AWG	
0 PLC ±-		02NOV2005			
1 PLC ±0.3		Y. PETRONIN		PRODUCT SPEC	
2 PLC ±-		108-15356		APPLICATION SPEC	
3 PLC ±-		114-15102		WEIGHT	
4 PLC ±-		0,69 gr		SIZE	A3
ANGLES ±5		CUSTOMER DRAWING		CAGE CODE	00779
FINISH SEE TABLE		SCALE		DRAWING NO	1577623
MATERIAL SEE TABLE		SHEET		RESTRICTED TO	-
		8:1		OF	1
		REV		B	

单击下面可查看定价，库存，交付和生命周期等信息

[>>TE Connectivity\(泰科\)](#)