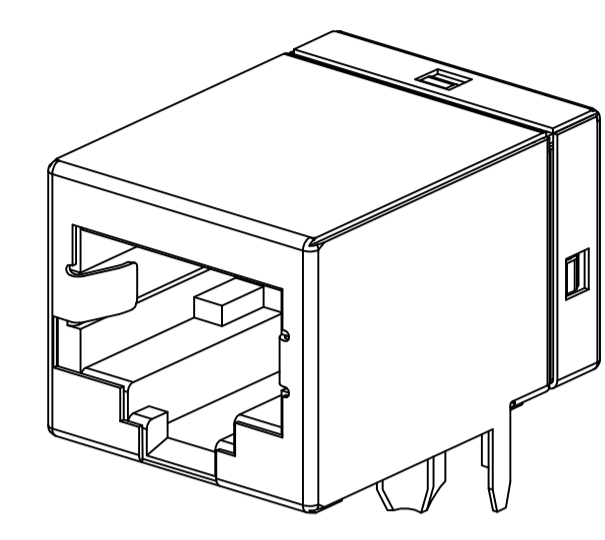
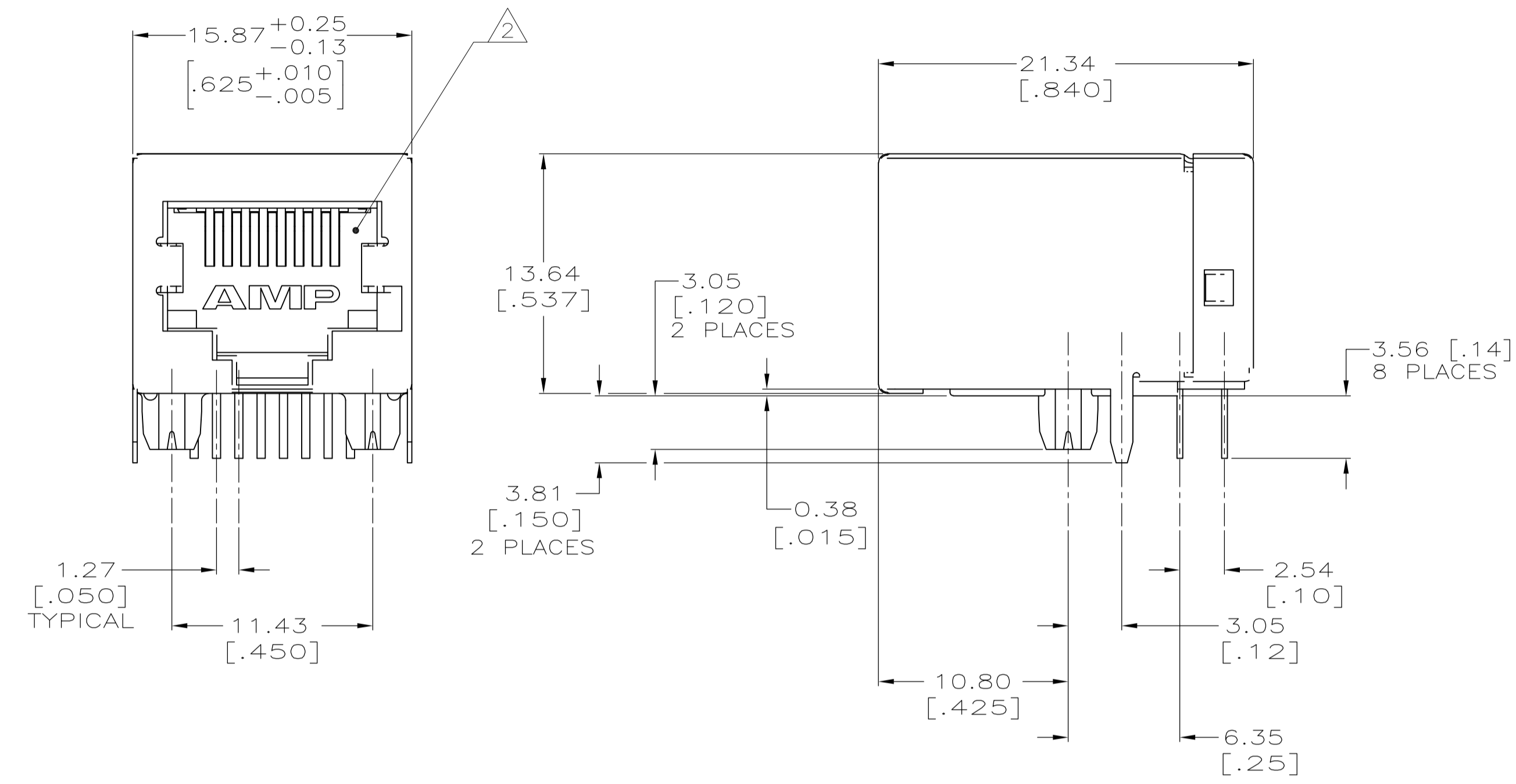
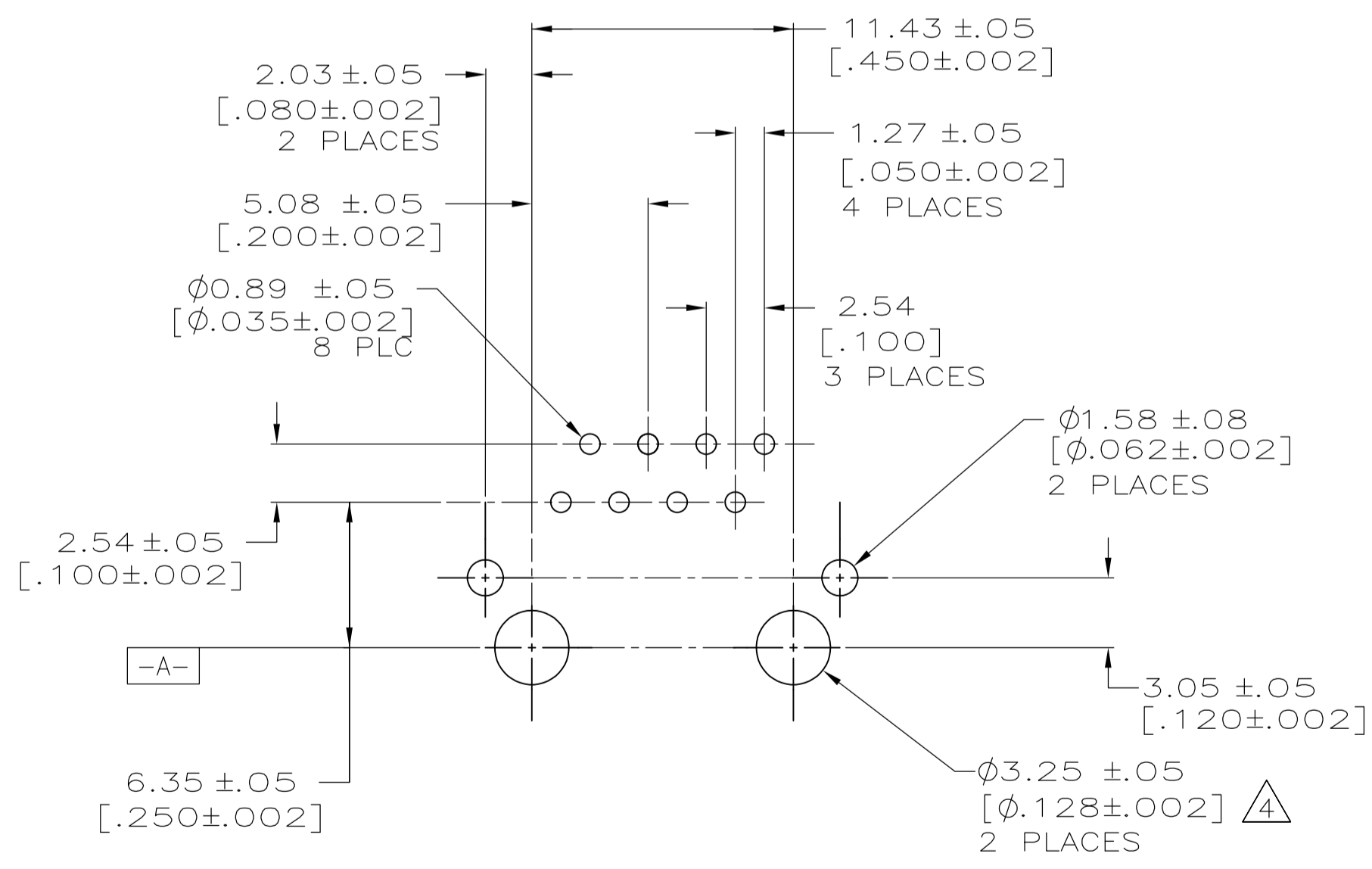


LOC	DIST	REVISIONS			
AA	22	REV	DATE	BY	CHK
		B2	REVISED PER ECO-11-005033	26MAR11	RK HMR

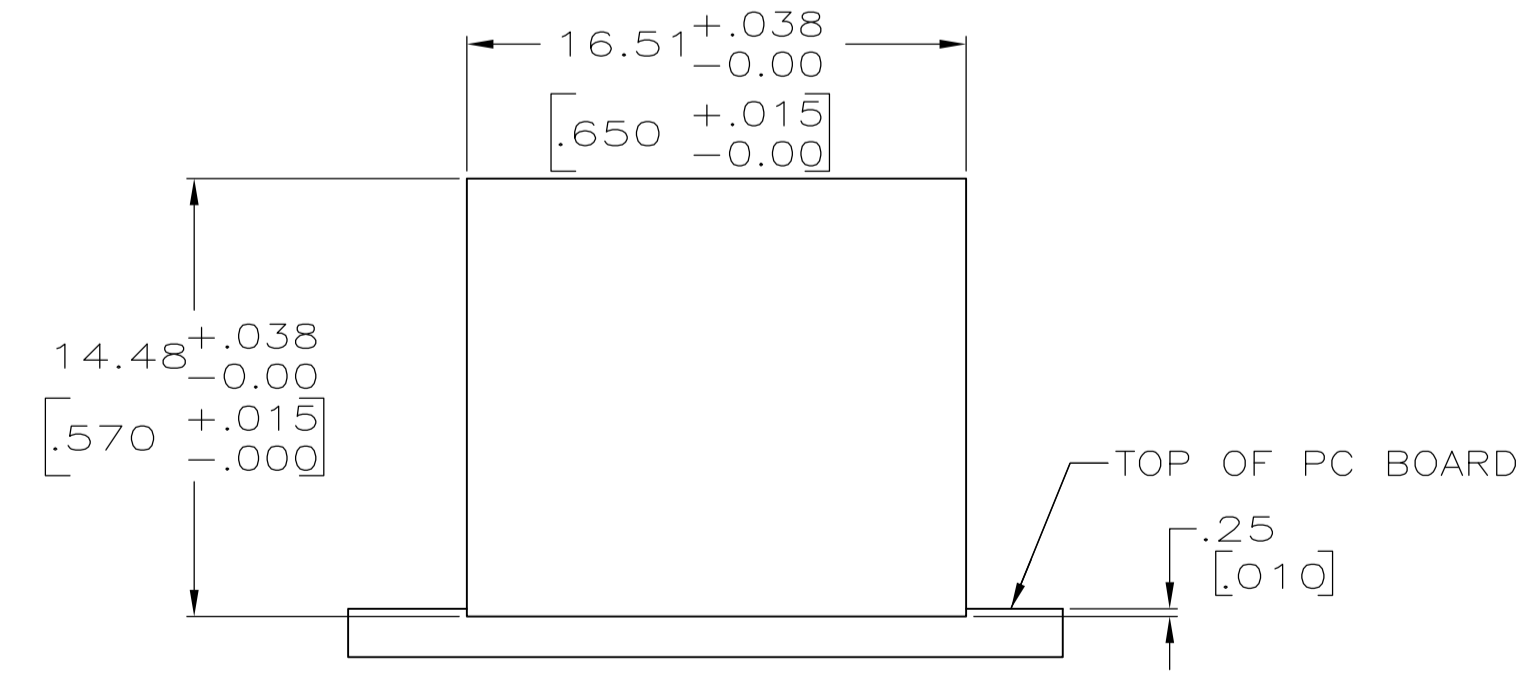


SCALE 2:1

- 1 MATERIAL: HOUSING - PCT POLYESTER, BLACK, UL 94V-0, IR COMPATIBLE.  
TERMINALS - 0.33[.013] THICK PHOS BRONZE PLATED WITH 1.27μm[.000050] MINIMUM THICK HARD GOLD IN LOCALIZED AREA AND 3.81μm[.000150] MINIMUM THICK MATTE TIN IN SOLDER AREA OVER 1.27μm[.000050] MINIMUM THICK NICKEL UNDERPLATE.  
SHIELD: .254mm[.010] THICK COPPER ALLOY PLATED WITH 1.27μm[.000050] MINIMUM NICKEL AND 2.03 μm[.000080] MINIMUM HOT TIN DIP ON PCB GROUND TABS.
- 2 JACK CAVITY CONFORMS TO FCC RULES AND REGULATIONS, PART 68 SUBPART F.
- 3. ALL DIMENSIONS SHOWN ARE NOMINAL UNLESS OTHERWISE SPECIFIED.
- 4 USE #30 DRILL BIT OR 3.25mm DRILL BIT WHEN PRODUCING THESE PCB HOLES.



SUGGESTED PC BOARD LAYOUT (COMPONENT SIDE)



SUGGESTED PANEL CUTOUT

5557786-1  
PART NUMBER

THIS DRAWING IS A CONTROLLED DOCUMENT.		DIN G. ATTADIA - 15JUN2005		STE TE Connectivity	
DIMENSIONS: mm [INCHES]		CHK J. WESTMAN 15JUN2005		NAME	
TOLERANCES UNLESS OTHERWISE SPECIFIED:		APVD S. FLICKINGER 15JUN2005		PRODUCT SPEC	
0 PLC ± -		APPLICATION SPEC		MODULAR JACK ASSEMBLY, 8 POSITION, RIGHT ANGLE, LOW PROFILE, SHIELDED, PC BOARD GROUND	
1 PLC ± -		114-2048		SIZE	
2 PLC ± 0.25[.010]		WEIGHT		CAGE CODE DRAWING NO	
3 PLC ± -		A1 00779		5557786	
4 PLC ± -		CUSTOMER DRAWING		RESTRICTED TO	
ANGLES ± -		SCALE 4:1		SHEET 1 OF 1	
MATERIAL		FINISH		REV B2	

单击下面可查看定价，库存，交付和生命周期等信息

[>>TE Connectivity\(泰科\)](#)