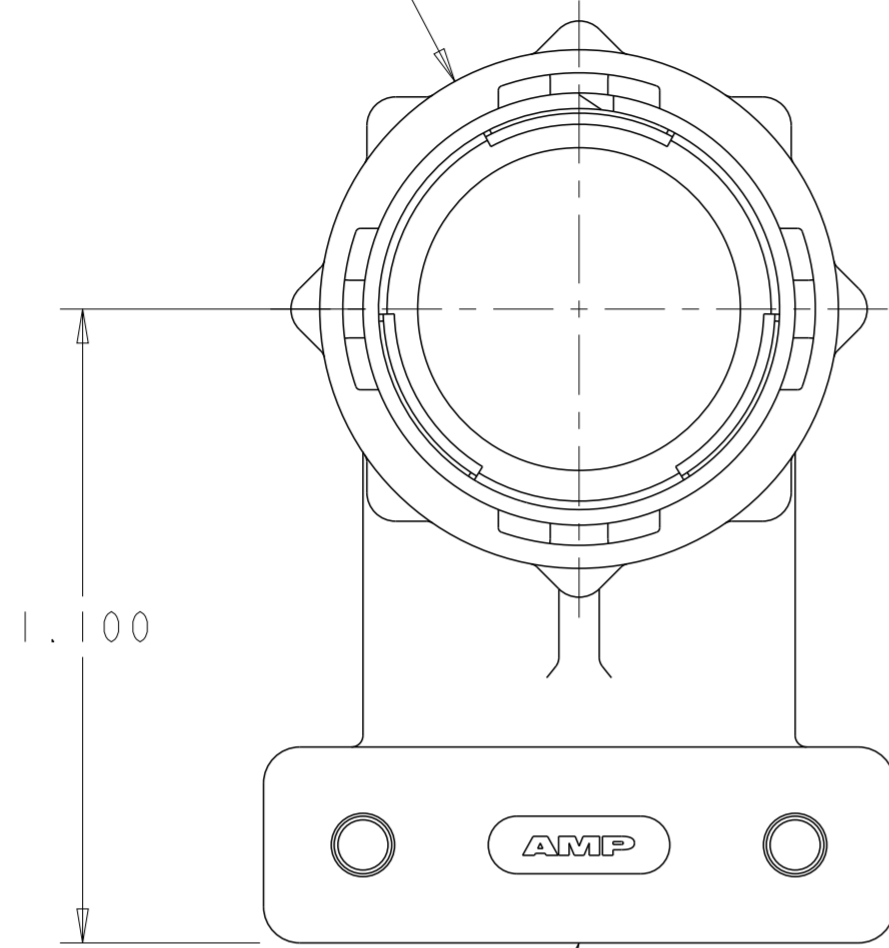


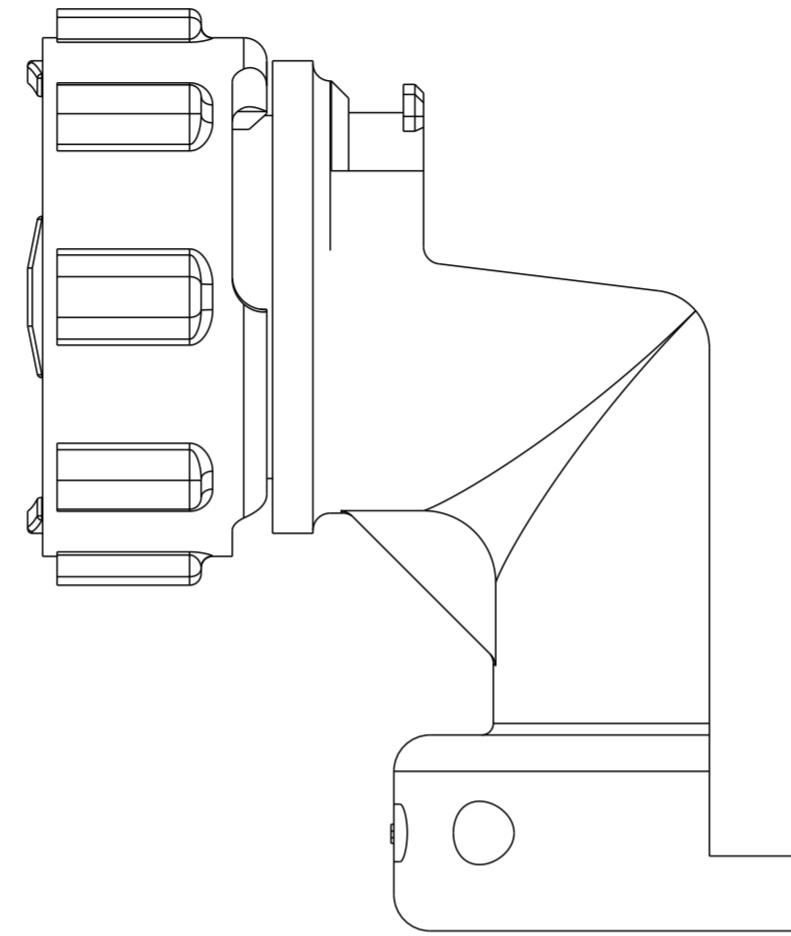
THIS DRAWING IS UNPUBLISHED. RELEASED FOR PUBLICATION
 © COPYRIGHT 20 BY - ALL RIGHTS RESERVED.

REVISIONS				
P	LTR	DESCRIPTION	DATE	APVD
E		REVISED PER ECO-10-012730	20SEP10	HMR MG
F		REVISED PER ECO-18-003937	15MAR2018	RS MZ

COUPLING RING
 NYLON, COLOR:BLACK



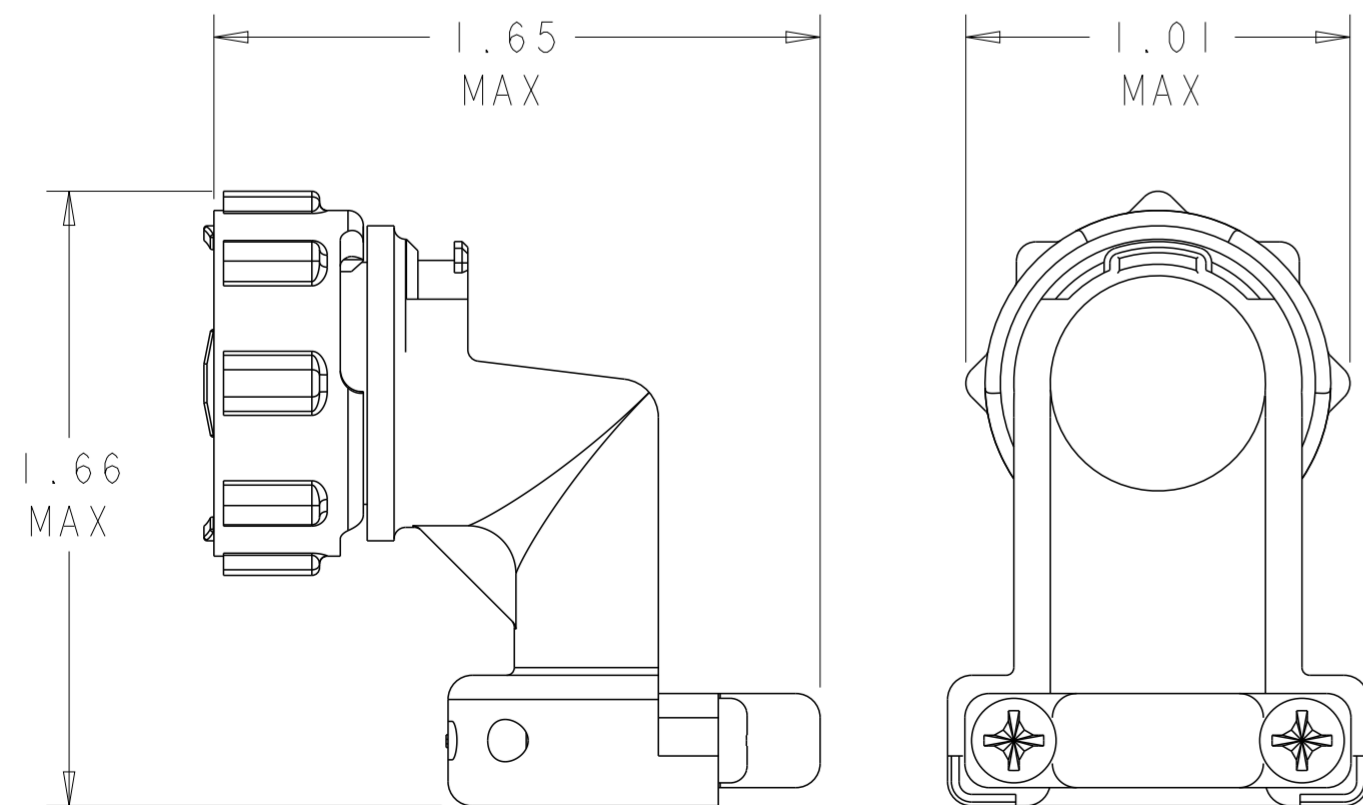
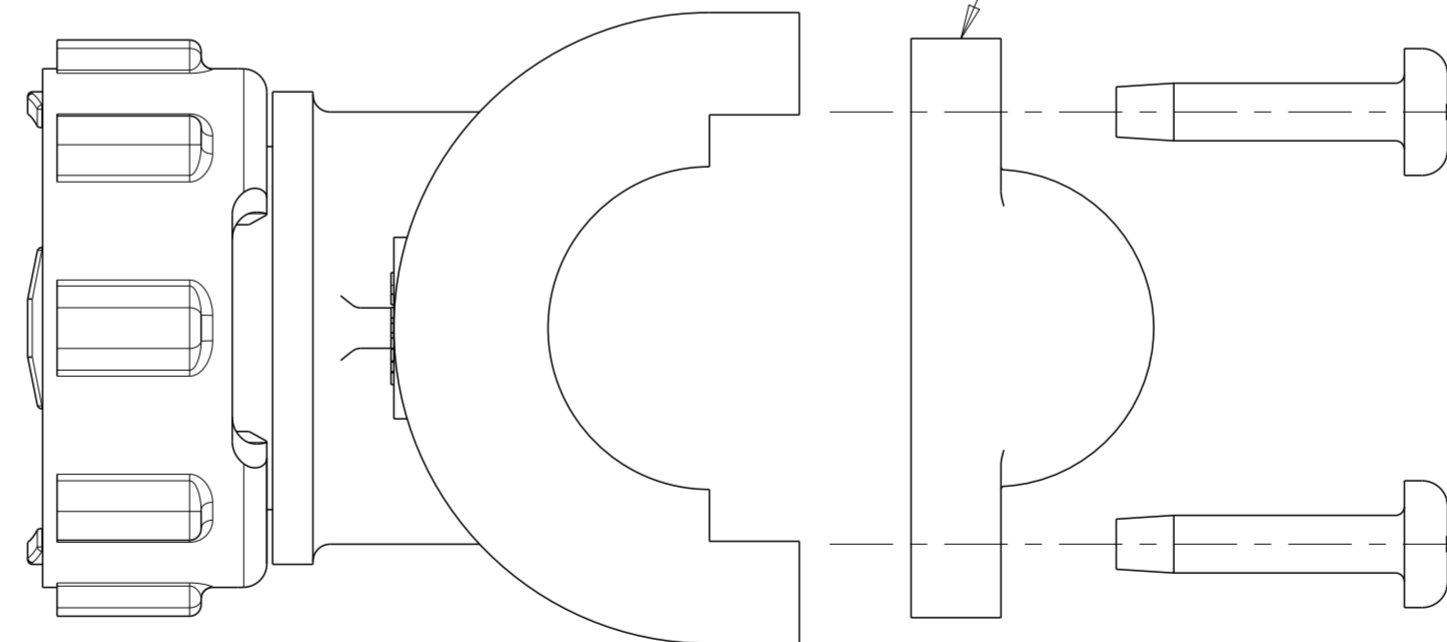
CABLE CLAMP BODY
 NYLON, COLOR:BLACK



- ① SELF TAPPING SCREWS AND CABLE CLAMP INSERTS PACKAGED UNASSEMBLED.
- ② CLAMPING AREA ADJUSTABLE TO .453 O.D. MAX CABLE. CABLE CLAMP INSERTS CAN BE ADJUSTED BY INVERTING OR CHANGING CABLE CLAMP INSERT.

① 5-20 SELF TAPPING SCREW
 MATERIAL: STEEL
 FINISH: ZINC PLATED
 QTY: 2
 LENGTH: .50^{+.00}_{-.05}

①② CABLE CLAMP INSERT
 NYLON, COLOR:BLACK
 QTY: 2



ASSEMBLED VIEW
 SCALE 2:1

SUPERSEDED BY - 2
 796380-2
 796380-1
 PART NUMBER

THIS DRAWING IS A CONTROLLED DOCUMENT.		DWN S. WELDON 11FEB2000	STE TE Connectivity	
DIMENSIONS: INCHES		CHK M. CHACKO 11FEB2000		
TOLERANCES UNLESS OTHERWISE SPECIFIED:		APVD M. CHACKO 11FEB2000	NAME CABLE CLAMP KIT, UNASSEMBLED, RIGHT ANGLE, SIZE 13, CPC	
0 PLC	±	PRODUCT SPEC	SIZE	RESTRICTED TO
1 PLC	±	APPLICATION SPEC	CAGE CODE	
2 PLC	±	WEIGHT	DRAWING NO	
3 PLC	±0.005	CUSTOMER DRAWING	A200779	C-796380
4 PLC	±	SCALE	3:1	SHEET 1 OF 1
ANGLES	±	REV	F	
FINISH	-			

单击下面可查看定价，库存，交付和生命周期等信息

[>>TE Connectivity\(泰科\)](#)