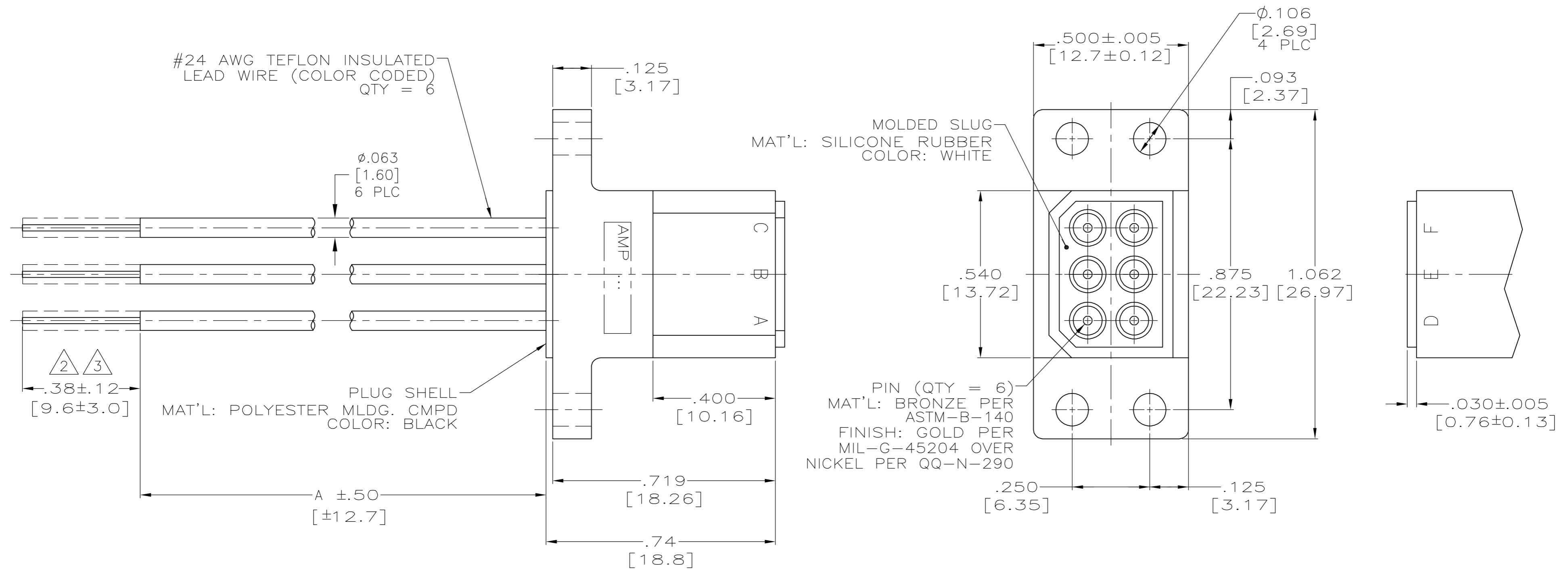


LOC		DIST		REVISIONS			
DF	S0	P	LTR	DESCRIPTION	DATE	DWN	APVD
		E		REV PER ECO-05-011907	15MAY06	PY	DE



1. LETTERS & AMP INFO. MARKED PER MIL-STD-130.
2. PIGTAILS ARE SOLDER DIPPED.
3. INSULATION CUT BUT NOT REMOVED

A	BROWN
B	RED
C	GREEN
D	BLUE
E	BLACK
F	WHITE

SCHMATIC

OBSOLETE	3	36.00 [914.4]	5-867464-3
	2	36.00 [914.4]	867464-3
	2	24.00 [609.6]	867464-2
	2	12.00 [304.8]	867464-1
REMARKS	A DIM		PART NO.

THIS DRAWING IS A CONTROLLED DOCUMENT.

DWN	C.C.THOMAS	9-18-91
CHK	S.GLADFELTER	9-23-91
APVD	-	-
PRODUCT SPEC	-	
APPLICATION SPEC	-	
WEIGHT	-	-
CUSTOMER DRAWING	-	

**tyco Electronics** Tyco Electronics Corporation  
Harrisburg, Pa 17105-3608

PLUG ASSY, 6 POSN WITH FLYING LEADS, LGH

SIZE	A2	CAGE CODE	00779	DRAWING NO	C=867464	RESTRICTED TO	-
SCALE	4:1	SHEET	1	OF	1	REV	E

单击下面可查看定价，库存，交付和生命周期等信息

[>>TE Connectivity\(泰科\)](#)