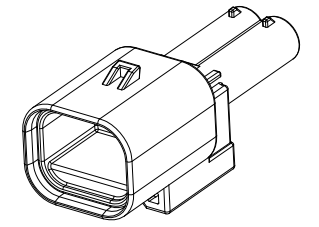
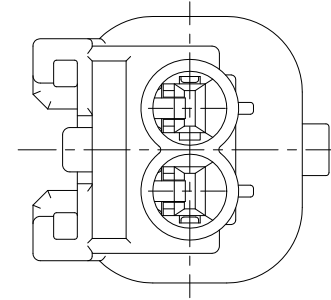
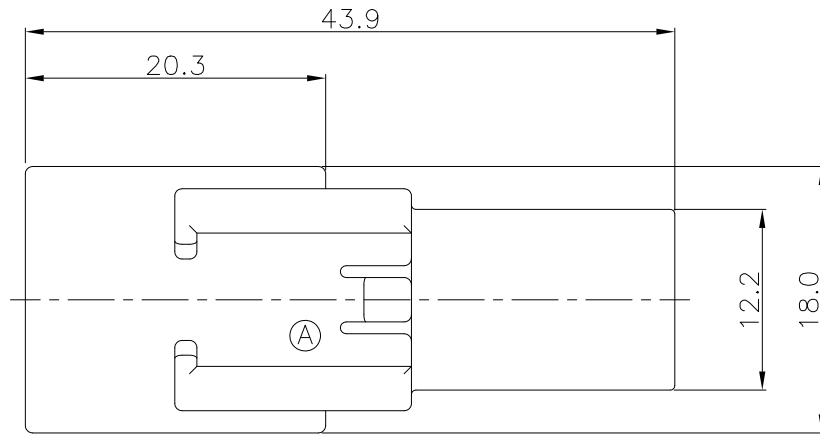
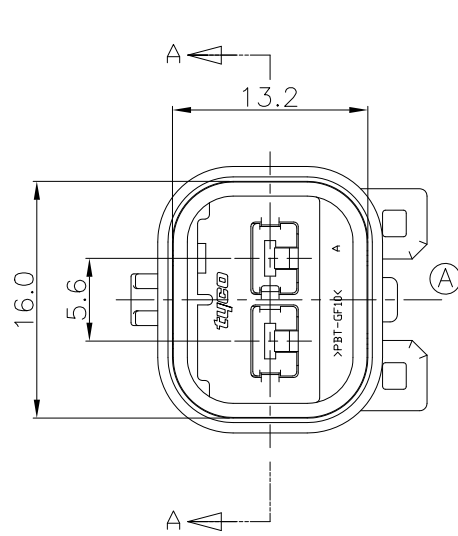
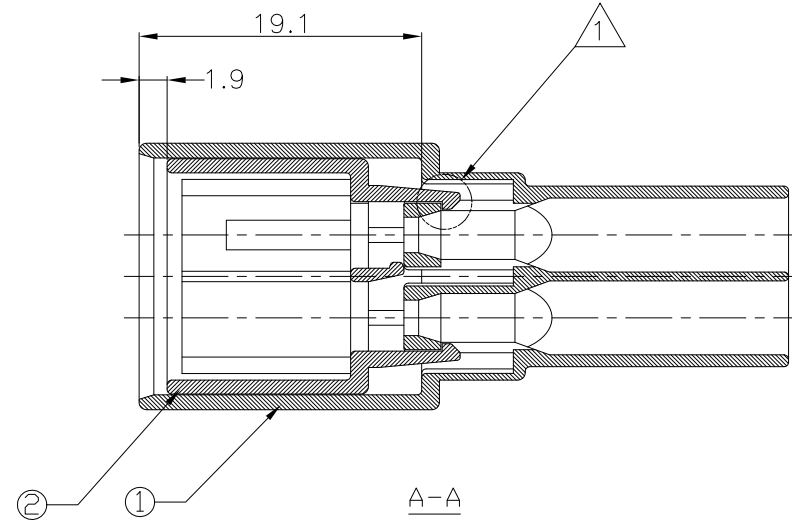
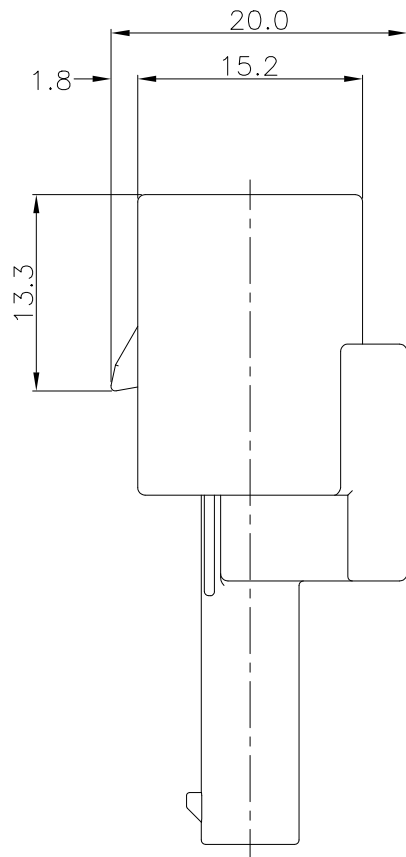


THIS DRAWING IS UNPUBLISHED. RELEASED FOR PUBLICATION ,19 .
 © COPYRIGHT 19 BY AMP INCORPORATED. ALL RIGHTS RESERVED.

LOC	DIST	REVISIONS			
P	LTR	DESCRIPTION	DATE	DWN	APVD
DS					
	A	REVISED<FC00-0056-05>	28/FEB/'05	BH	CS
	B	REVISED<ECR-09-004879>	03/MAR/'09	YC	HG



3D VIEW<SCALE 1:1>



NOTES

- 1. CONDITION OF DELIVERY : DBL PLATE IN OPEN POSITION.
- 2. APPLIED TAB CONTACT P/N:

CONTACT	.090 TERMINAL		
Part NO.	936260-1	936261-1	936262-1
WIRE SIZE(mm ²)	0.3-AVS0.5	0.85-AVS1.25	AVSS2.0, AESSXF2.5

- 3. APPLIED FEMALE CONNECTOR P/N : 936248-X
- 4. APPLIED WIRE COVER HSG P/N : 936311-1
(CORRUGATOR DIA : Ø5)

NO.	COLOR	MATERIAL	DESCRIPTION	QTY	ASSY P/N
2	WHITE	PBT GF10	DBL PLATE	1	936291-8
1	BLUE	PBT	CAP HSG	1	936291-2
1	BLACK	PBT	CAP HSG	1	

THIS DRAWING IS A CONTROLLED DOCUMENT FOR AMP INCORPORATED. IT IS SUBJECT TO CHANGE AND THE CONTROLLING ENGINEERING ORGANIZATION SHOULD BE CONTACTED FOR THE LATEST REVISION.		DWN : YC LEE		AMP KOREA, kyungsan, korea	
DIMENSIONS: MM		CHK : YM CHOI			
TOLERANCES UNLESS OTHERWISE SPECIFIED:		APVD : HG CHO		NAME	
0 <XX<10 ± 0.2		PRODUCT SPEC		.090 SEALED 2P CAP ASS'Y	
10<XX<30 ± 0.25		APPLICATION SPEC		SIZE	
30<XX ± 0.3		WEIGHT		CAGE CODE	
ANGLES ± 3°		CUSTOMER DRAWING		DRAWING NO	
3rd ANGLE PROJECTION				A3 00779	
MATERIAL				SCALE 2/1 SHEET 1 OF 1 REV B	
SEE TABLE				© 936291	

单击下面可查看定价，库存，交付和生命周期等信息

[>>TE Connectivity\(泰科\)](#)