

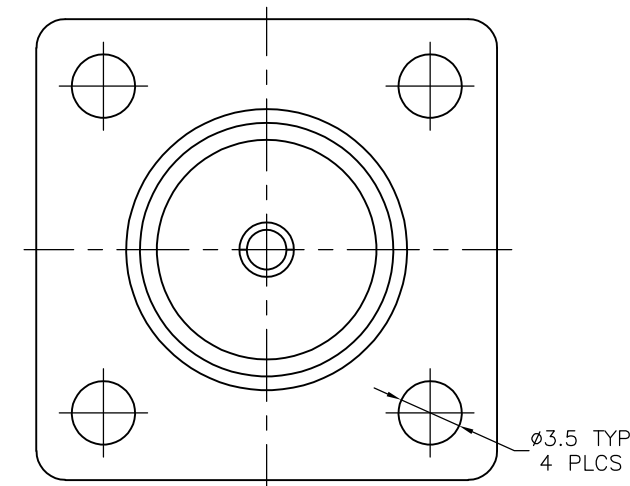
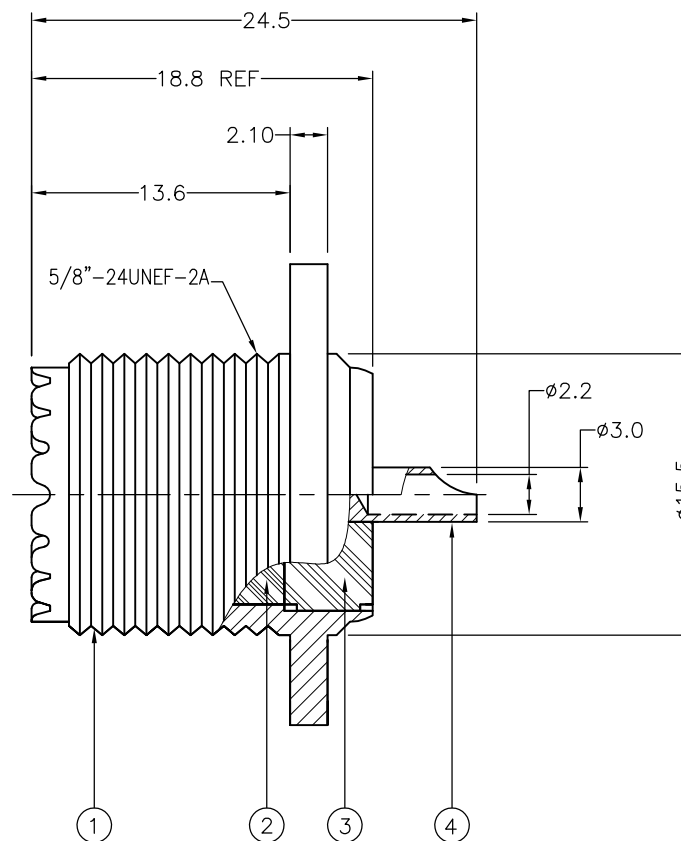
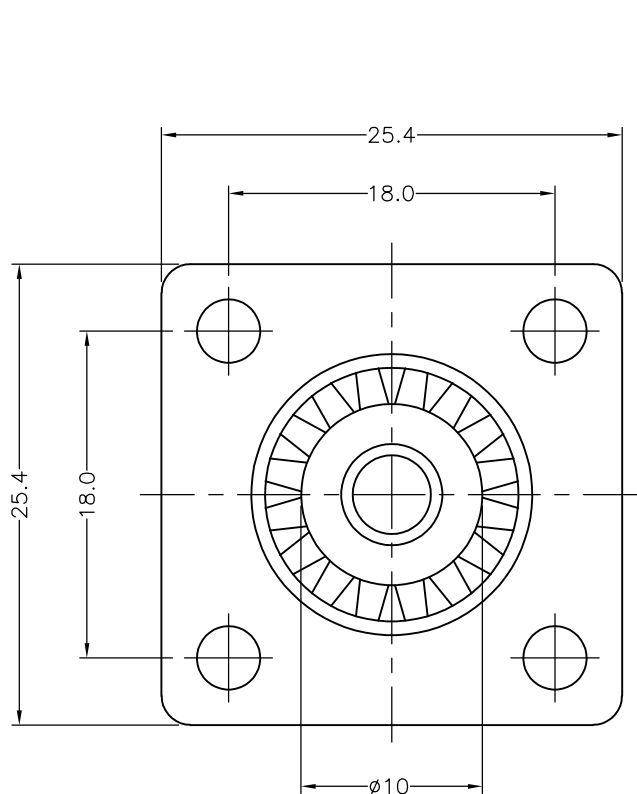
THIS DRAWING IS UNPUBLISHED. RELEASED FOR PUBLICATION AUGUST, 2006.

© COPYRIGHT 2006 By - ALL RIGHTS RESERVED.

LOC	DIST	REVISIONS					
E	B	P	LTR	DESCRIPTION	DATE	DWN	APVD
		C1		REVISED PER ECO-15-008227	10JUN2015	RZ	RS

NOTES:

- 1 SINGLE PACKING: ONE CONNECTOR PER LABELED BAG PACKAGED. LABELED PER TEC-107-115
- 2 TRAY PACKAGED
- 3 Tin PLATING
- 4 Ni PLATING
- 5 FOR TECHNICAL DATA REFER TO YOUR LOCAL TE CONNECTIVITY SALES OFFICE
- 6 ALL DIMENSIONS ARE NOMINAL FOR REFERENCE ONLY UNLESS OTHERWISE STATED



		1	1	BRASS	3	CONTACT	4
		1	1	PBT		INSULATION	3
		1	1	PBT		INSULATION	2
		1	1	ZINC	4	BODY	1
		5--1	5--0	MATERIAL		DESCRIPTION	ITEM
		1	1				
		1	1				
		QUANTITY PER ASSY		PARTS LIST			

THIS DRAWING IS A CONTROLLED DOCUMENT.		DWN	ANSON MA	14FEB09	TE Connectivity NAME: UHF PANEL SOCKET			
DIMENSIONS: mm		CHK	RITA ZUO	14FEB09				
TOLERANCES UNLESS OTHERWISE SPECIFIED:		APVD	BOB ZHAO	14FEB09				
0 PLC ± 0.5 1 PLC ± 0.3 2 PLC ± 0.2 3 PLC ± - 4 PLC ± - ANGLES ± -		PRODUCT SPEC	108-112000					
MATERIAL: SEE TABLE		FINISH: -		WEIGHT: -	SIZE: A3	CAGE CODE: 00779	DRAWING NO: C-1814816	RESTRICTED TO: -
CUSTOMER DRAWING					SCALE: NTS	SHEET: 1 OF 1	REV: C1	

单击下面可查看定价，库存，交付和生命周期等信息

[>>TE Connectivity\(泰科\)](#)