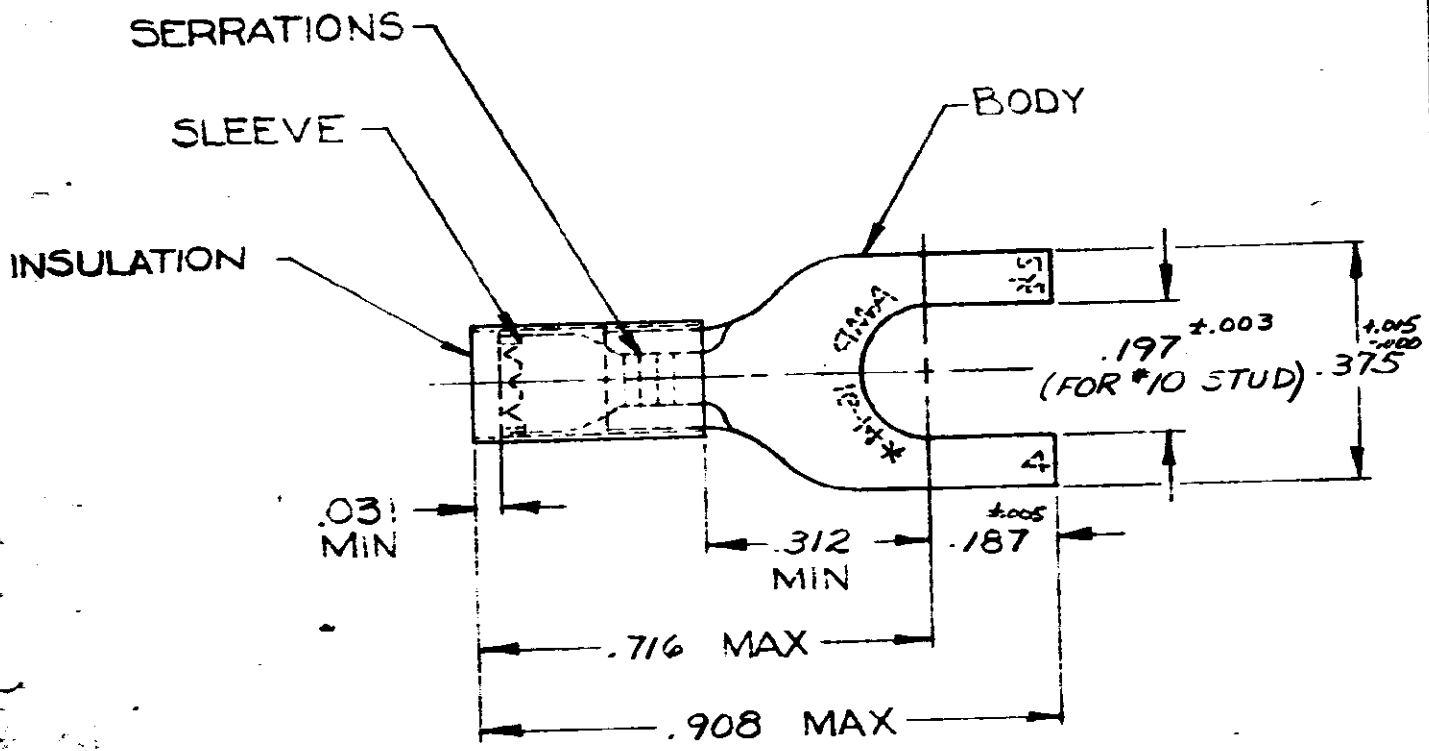


MADE IN AMERICAN PROJECTION

LOC **G 14** PRINT/DIST **0**

© 1945 BY AMP INCORPORATED. ALL RIGHTS RESERVED. AMP PRODUCTS COVERED BY PATENTS AND/OR PATENTS PENDING.

REVISIONS			
LTR	DESCRIPTION	DATE	APPROVED
A	REDRAWN, REVISED (ADDED TAPE NO. P-6079)	3-16-70	RCY
B	INACTIVATED 2--1 PER ECU P-9260	PMF 11/9/62	PMF
C	OBS. 2--1 G2591	RT 10-19-87	PMF
D	REV PER G-4732	JT 7/2/88	JT



TONGUE MATERIAL THK = .031 ±.002
FOR .105 TO .150 WIRE INSULATION DIA

32057	32057	OBSOLETE	BODY: COPPER (QQ-C-576) TIN PL (MIL-T-10727)
ON TAPE			SLEEVE: COPPER (QQ-C-576)
1	WIRE TERMINAL	32057	INSULATION: NYLON COLOR: BLUE
QTY	DESCRIPTION	PART NO	MATERIAL & FINISH
UNLESS OTHERWISE SPECIFIED DIMENSIONS ARE IN INCHES TOLERANCES ON: DECIMALS ±.008 ANGLES ± 5°			 AMP INCORPORATED HARRISBURG, PENNSYLVANIA
CONTRACT NO. _____			
MATERIAL			NAME
SEE TABLE			WIRE TERMINAL P.I.D.G. - SPADE WIRE SIZE: 16-14
OTHER APPD			SIZE
			A
			CODE IDENT NO.
			00779
			NUMBER
			32057
			SCALE
			NTS

单击下面可查看定价，库存，交付和生命周期等信息

[>>TE Connectivity\(泰科\)](#)