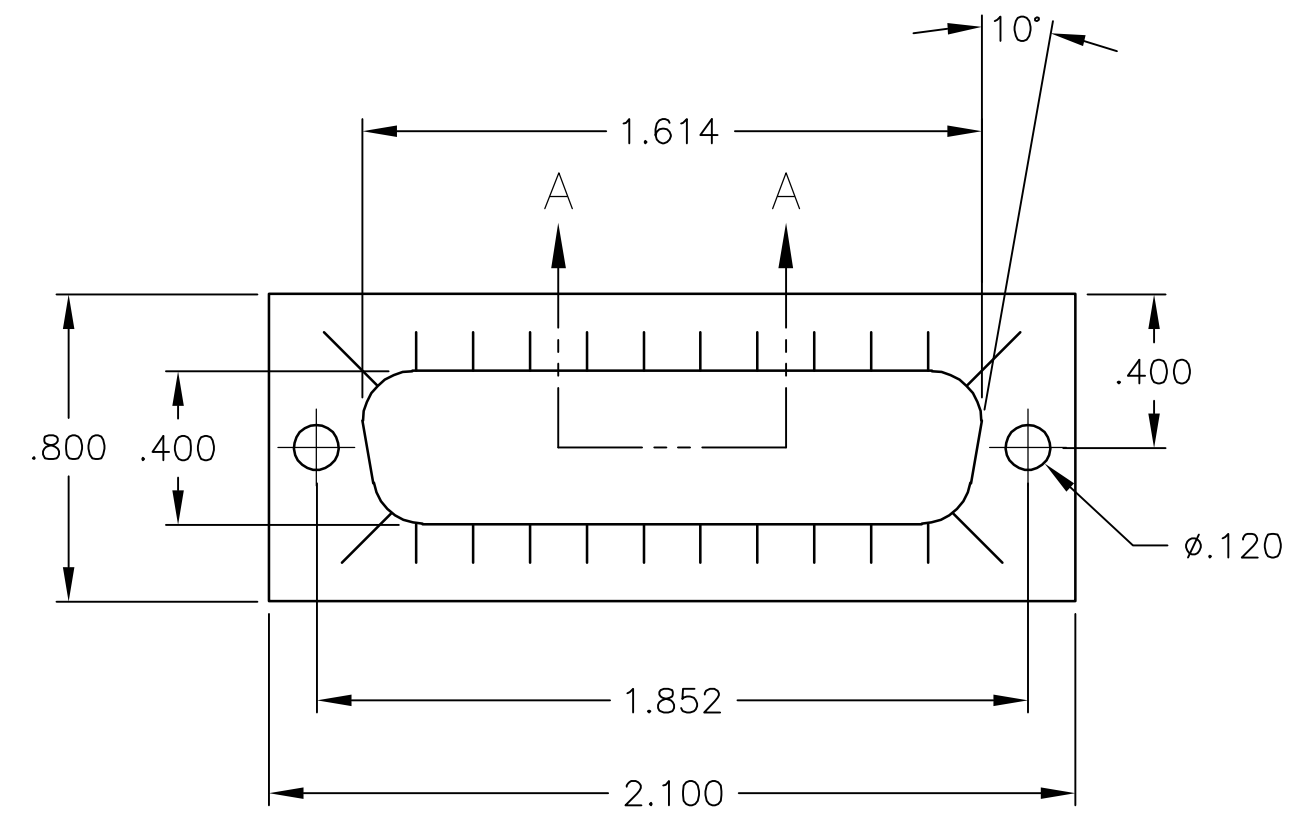
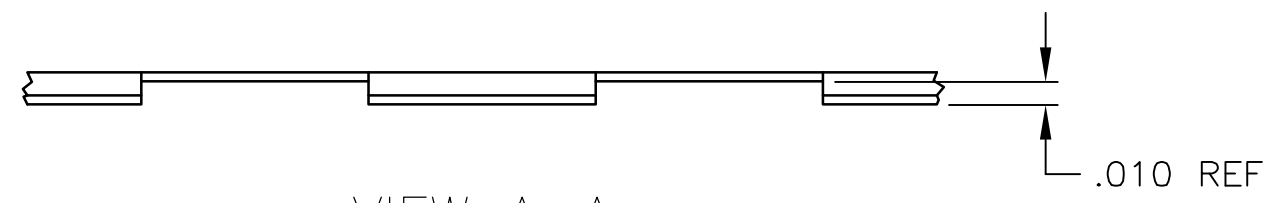


THIS DRAWING IS UNPUBLISHED. RELEASED FOR PUBLICATION
 © COPYRIGHT BY TYCO ELECTRONICS CORPORATION. ALL RIGHTS RESERVED.

| LOC | DIST | REVISIONS | | | | | |
|-----|------|-----------|-----|---------------------------|---------|-----|------|
| GP | 00 | P | LTR | DESCRIPTION | DATE | DWN | APVD |
| | | | B1 | REVISED PER ECO-06-020813 | 30OCT06 | JDP | CWR |



- 1 BRIGHT TIN-LEAD OVER NICKEL.
- 2 TIN OVER NICKEL.



VIEW A-A
SCALE 8:1

| | | |
|----------|--------|-------------|
| OBSOLETE | 2 | 745776-4 |
| | 1 | 745776-3 |
| | FINISH | PART NUMBER |

| | | | | | | | | | | | | | | | | | |
|----------------------------------------------------------------------------------------------------------------------------------------------------------------------------------------------------------------------------------------------------------|--------|-------------------------------|-----------------------------------------------------------|--------------------|------------------------|--------------------|-----------|-------|--------|-------|-----|--------|------|-------------------|---|--|--|
| THIS DRAWING IS A CONTROLLED DOCUMENT. | | DWN J.GERACE 20FEB04 | Tyco Electronics Corporation Harrisburg, Pa 17105-3608 | | | | | | | | | | | | | | |
| DIMENSIONS: INCHES | | CHK S.SHUEY 20FEB04 | | | | | | | | | | | | | | | |
| TOLERANCES UNLESS OTHERWISE SPECIFIED: | | APVD M.WALMSLEY 20FEB04 | NAME RFI GASKET, SIZE 3, AMPLIMITE | | | | | | | | | | | | | | |
| <table border="0"> <tr><td>0 PLC</td><td>± -</td></tr> <tr><td>1 PLC</td><td>± -</td></tr> <tr><td>2 PLC</td><td>± -</td></tr> <tr><td>3 PLC</td><td>± .010</td></tr> <tr><td>4 PLC</td><td>± -</td></tr> <tr><td>ANGLES</td><td>± 2'</td></tr> </table> | | 0 PLC | ± - | 1 PLC | ± - | 2 PLC | ± - | 3 PLC | ± .010 | 4 PLC | ± - | ANGLES | ± 2' | PRODUCT SPEC - | - | | |
| 0 PLC | ± - | | | | | | | | | | | | | | | | |
| 1 PLC | ± - | | | | | | | | | | | | | | | | |
| 2 PLC | ± - | | | | | | | | | | | | | | | | |
| 3 PLC | ± .010 | | | | | | | | | | | | | | | | |
| 4 PLC | ± - | | | | | | | | | | | | | | | | |
| ANGLES | ± 2' | | | | | | | | | | | | | | | | |
| APPLICATION SPEC - | | WEIGHT - | SIZE A3 | CAGE CODE 00779 | DRAWING NO C-745776 | RESTRICTED TO - | | | | | | | | | | | |
| MATERIAL .006 THICK BRASS | | FINISH SEE TABLE | CUSTOMER DRAWING | | SCALE 2:1 | SHEET 1 OF 1 | REV B1 | | | | | | | | | | |

单击下面可查看定价，库存，交付和生命周期等信息

[>>TE Connectivity\(泰科\)](#)