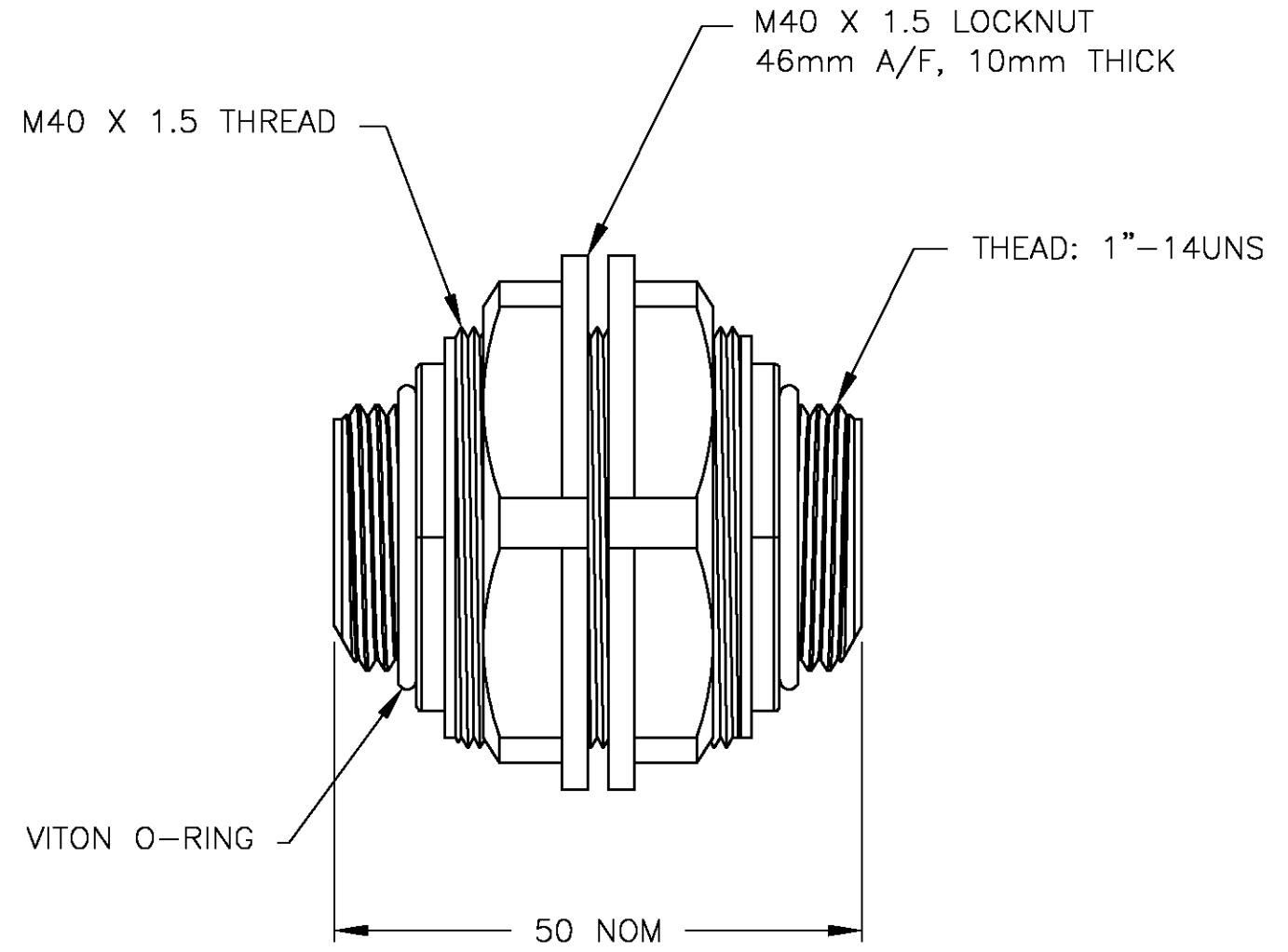
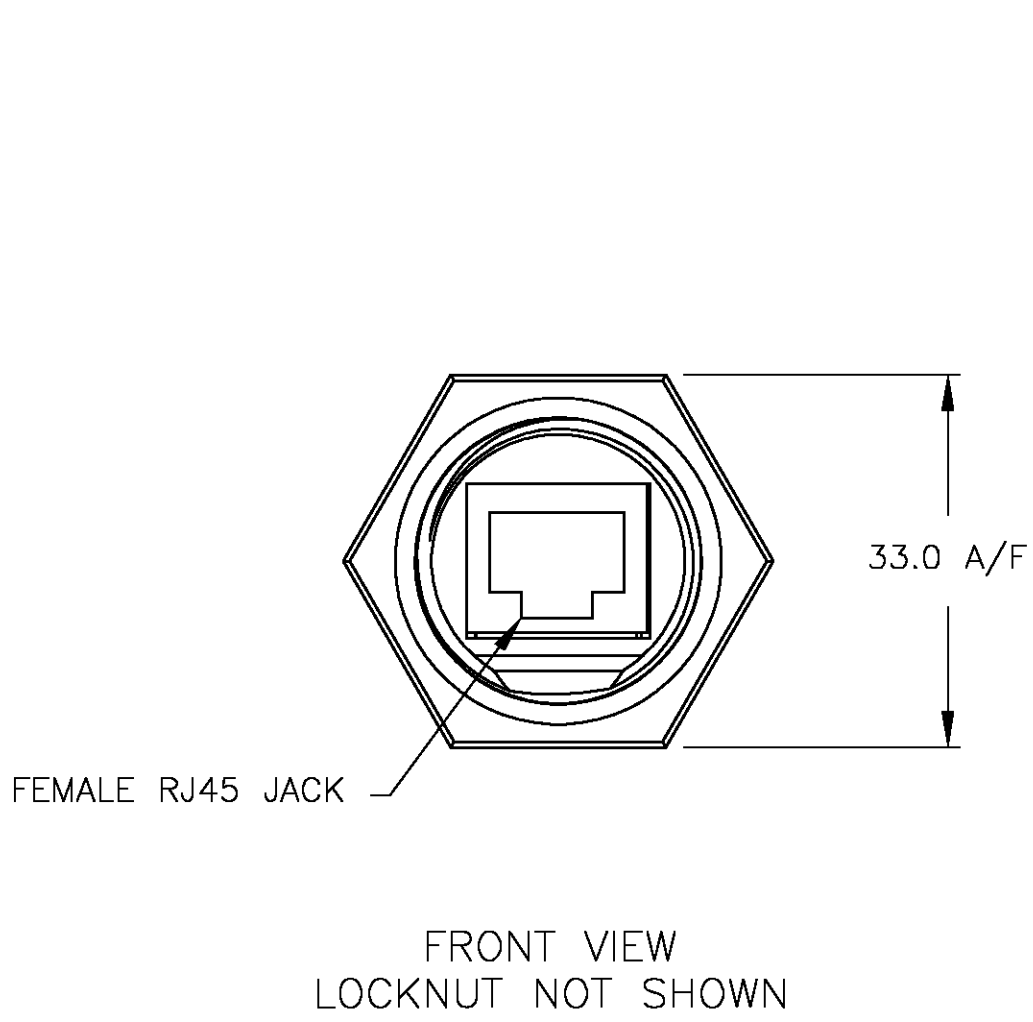


THIS DRAWING IS UNPUBLISHED. RELEASED FOR PUBLICATION
 © COPYRIGHT BY TYCO ELECTRONICS CORPORATION. ALL RIGHTS RESERVED.

LOC	DIST	REVISIONS			
P	LTR	DESCRIPTION	DATE	DWN	APVD
FT	0	A	REVISED PER 0G3B-0480-04	6/7/04	SS HW



RECOMMENDED MAX PANEL THICKNESS: 6mm

1546641-1
PART NO.

THIS DRAWING IS A CONTROLLED DOCUMENT.		DWN S SCHLEGEL 24MAR2003	Tyco Electronics Corporation Harrisburg, Pa 17105-3608	
DIMENSIONS: mm		CHK H WAKEEM 3/24/03		
TOLERANCES UNLESS OTHERWISE SPECIFIED:		APVD H WAKEEM 3/24/03	NAME RJ-LNXX THREADED THROUGH PANEL INTERCONNECT (M40)	
0 PLC ± 0.5 1 PLC ± 0.25 2 PLC ± 0.1 3 PLC ± - 4 PLC ± - ANGLES ± 1°		PRODUCT SPEC -	-	
MATERIAL -		FINISH -	APPLICATION SPEC -	RESTRICTED TO -
		WEIGHT -	SIZE A3	CAGE CODE 00779
		CUSTOMER DRAWING	DRAWING NO C-1546641	REV A
			SCALE NTS	SHEET 1 OF 1

单击下面可查看定价，库存，交付和生命周期等信息

[>>TE Connectivity\(泰科\)](#)