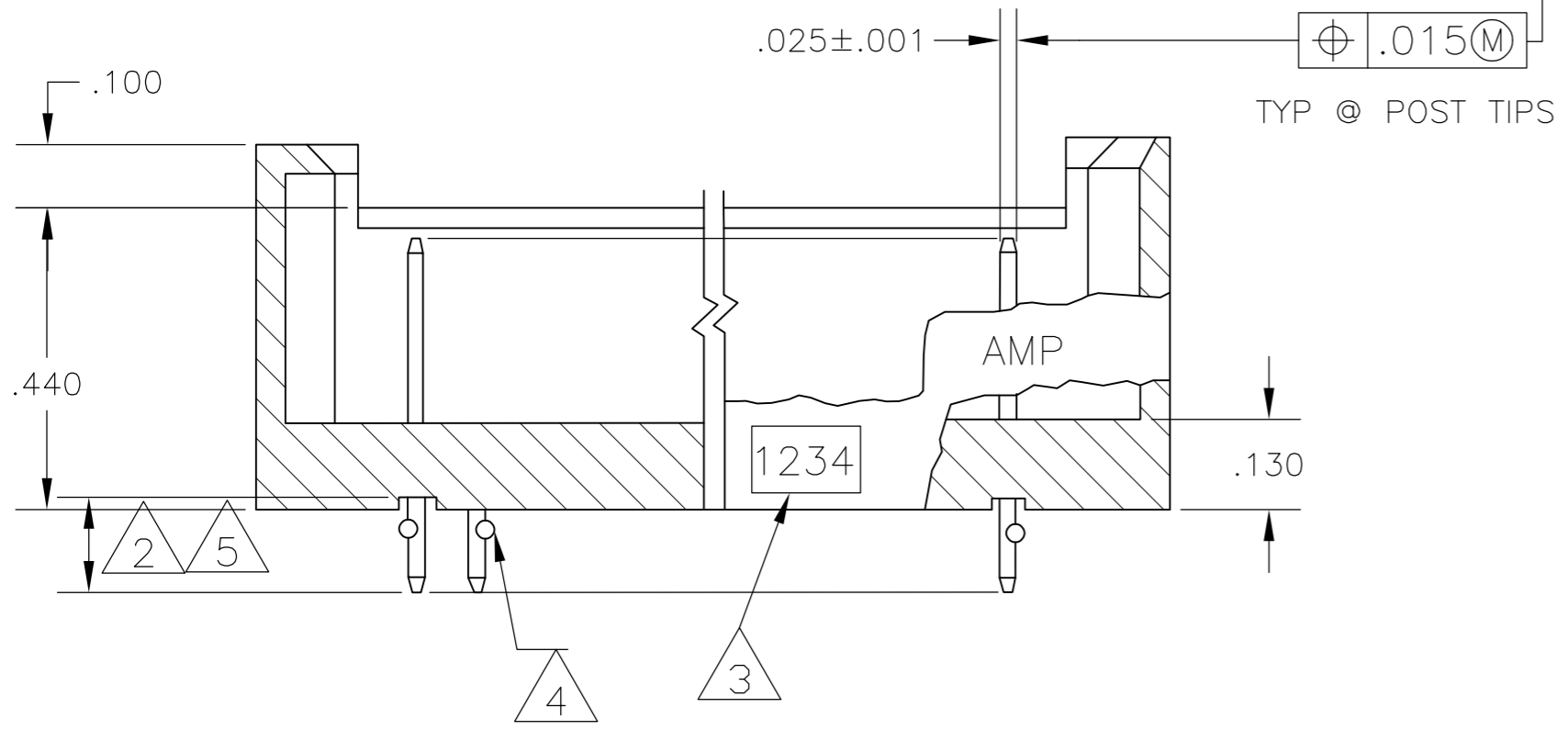
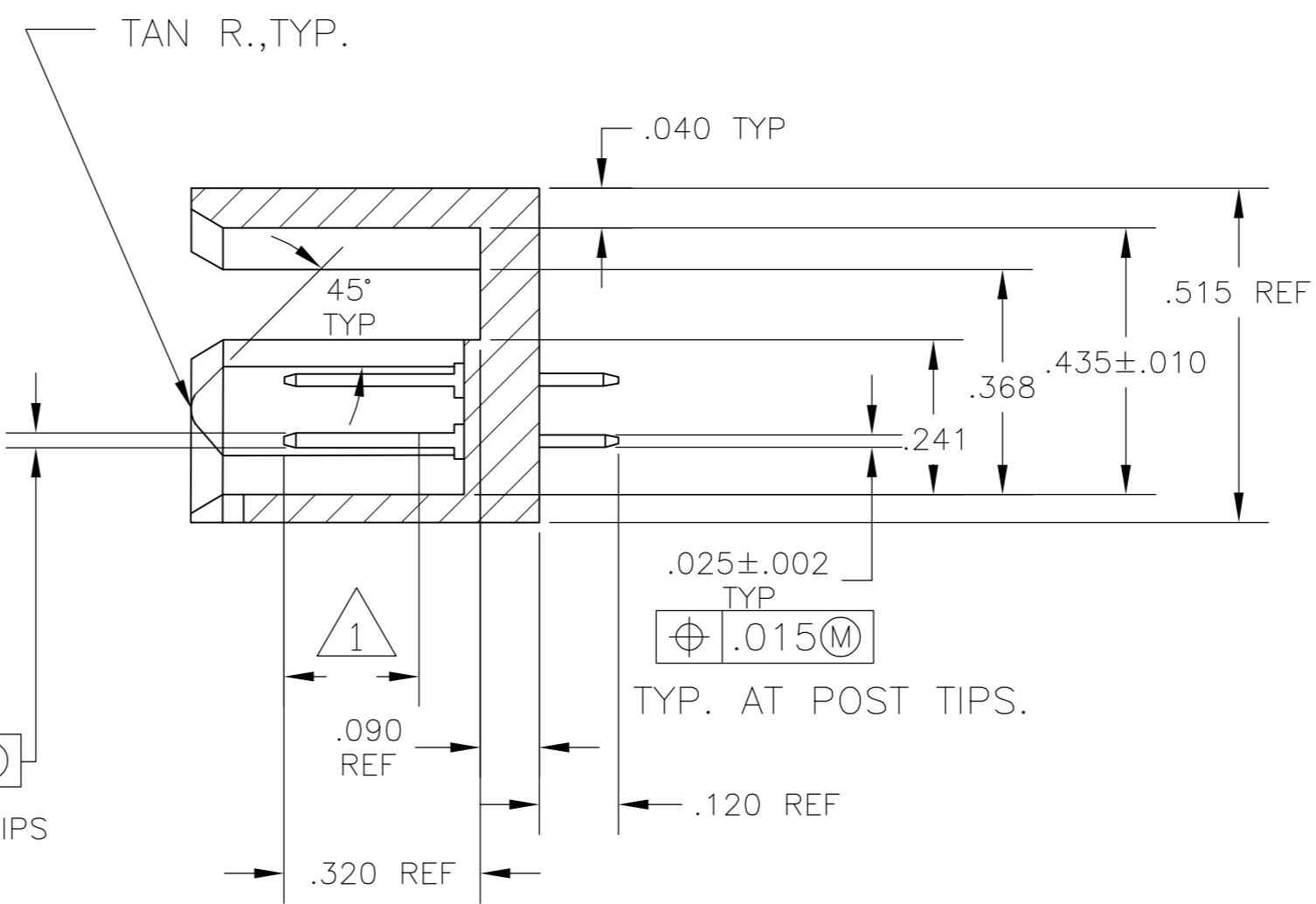
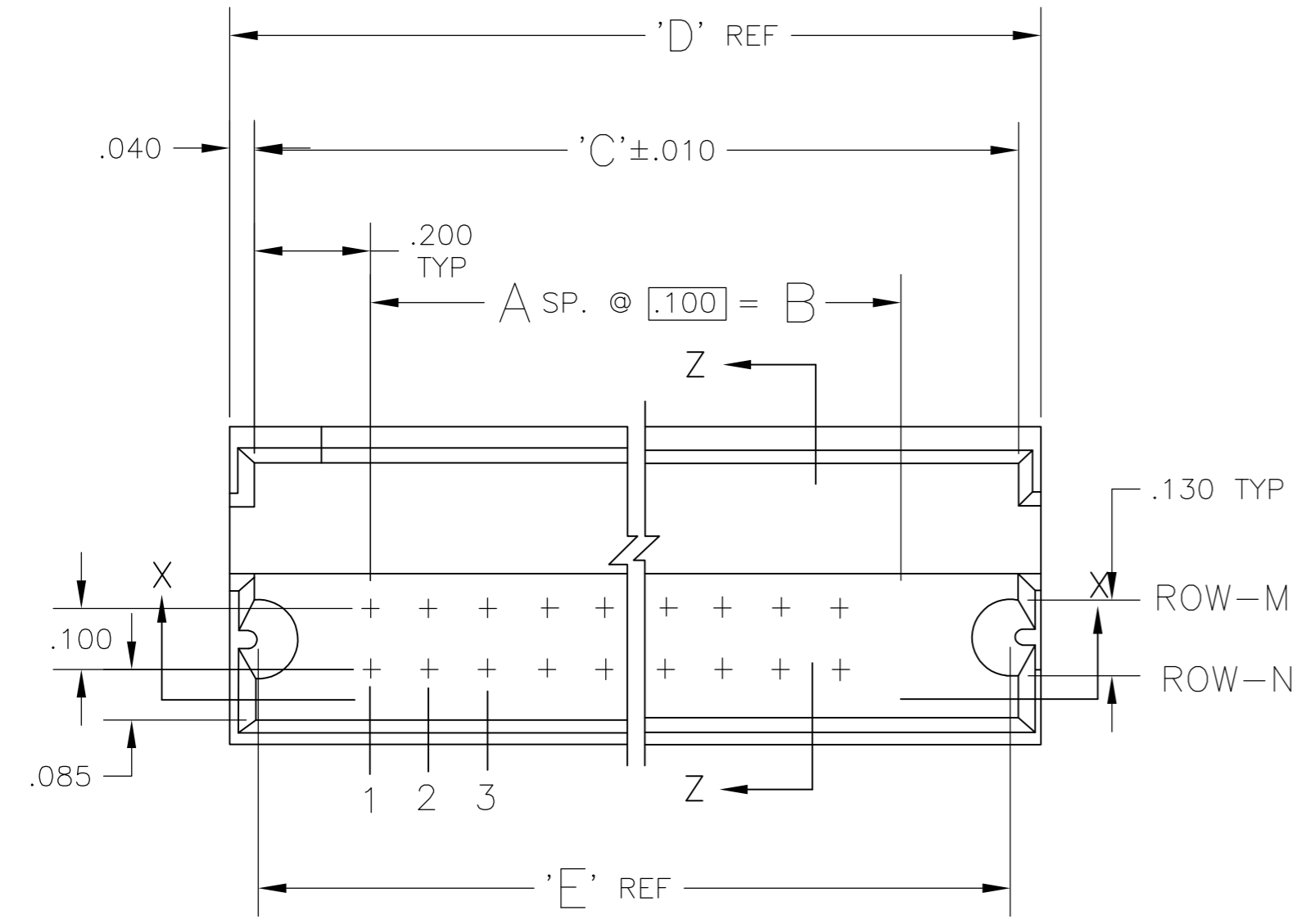
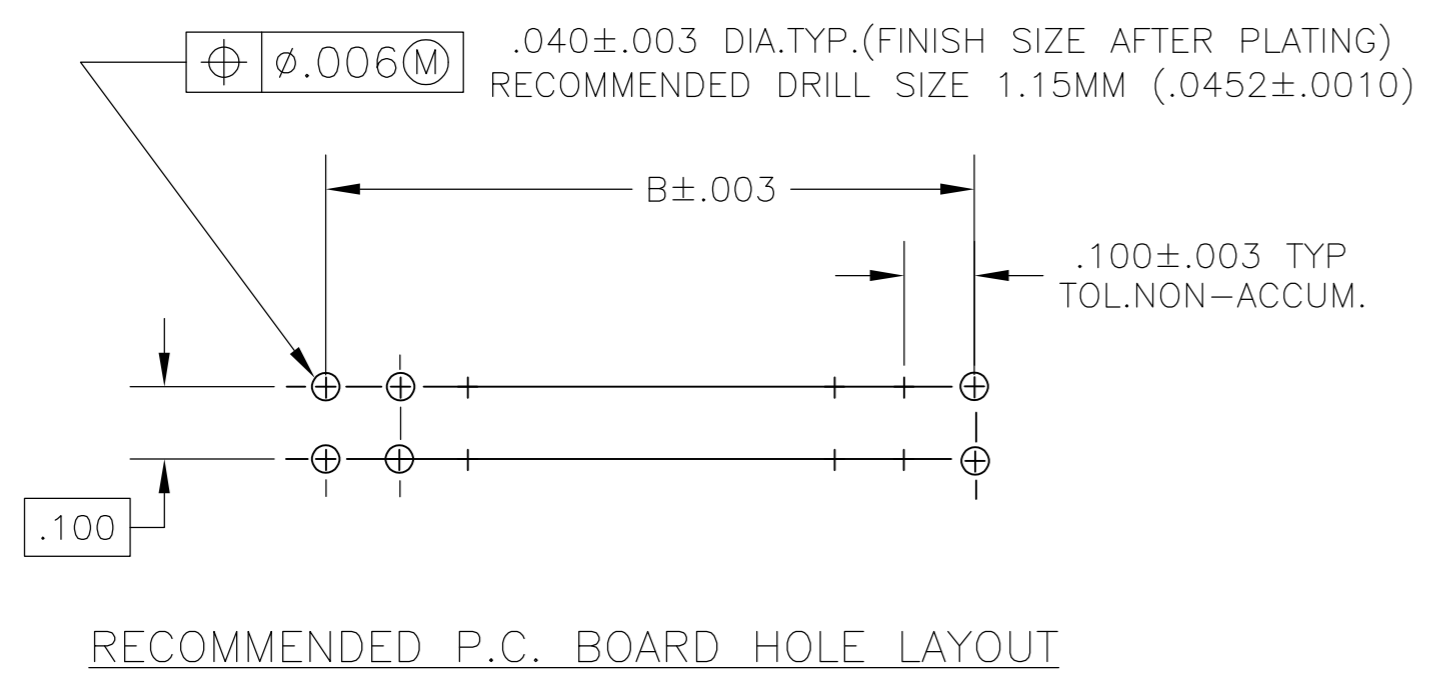


THIS DRAWING IS UNPUBLISHED. RELEASED FOR PUBLICATION
 © COPYRIGHT BY TYCO ELECTRONICS CORPORATION. ALL RIGHTS RESERVED.

LOC	DIST	REVISIONS			
P	LTR	DESCRIPTION	DATE	DWN	APVD
AD	00	E1	ECO-06-016522	25AUG06	BSV JO
		E2	REVISED PER ECO-09-021510	12SEP09	KK AEG



- SECTION "Z-Z"
- 1 FINISH OVER INDICATED AREA: .000030 GOLD OVER .000050 NICKEL.
 - 2 FINISH OVER INDICATED AREA: .000100-.000200 BRIGHT TIN OVER .000050 NICKEL.
 - 3 RECESSED DATE CODE AND CSA LOGO
 - 4 BOARD RETENTION FEATURE WHERE INDICATED
 - 5 FINISH OVER INDICATED AREA: .000100-.000200 MATTE TIN OVER .000050 NICKEL
 - 6 ROHS 2002/95/EC COMPLIANT
 - 7 OBSOLETE PARTS: OBSOLETE CIS STREAMLINING PER D.RENAUD/D.SINISI



1 5	8,13,18	8,13,18	2.770	2.880	2.800	2.400	24	50	5-535567-1	6
OBSOLETE	1 2	2,20,40,59	2,20,40,59	6.270	6.580	6.300	5.900	59	120	535567-4
OBSOLETE	1 2	2,17,33,49	2,17,33,49	5.270	5.380	5.300	4.900	49	100	535567-3
OBSOLETE	1 2	2,20,39	2,20,39	4.290	4.380	4.380	3.900	39	80	535567-2
OBSOLETE	1 2	8,13,18	8,13,18	2.770	2.880	2.800	2.400	24	50	535567-1
	FINISH	ROW-M 4	ROW-N 4	E	D	C	B	A	NO OF POSN	PART NO

THIS DRAWING IS A CONTROLLED DOCUMENT.

DWN	HUNT	14SEP88
CHK	-	21OCT88
APVD	-	21OCT88
PRODUCT SPEC	-	-
APPLICATION SPEC	-	-
WEIGHT	-	-
CUSTOMER DRAWING	SCALE 1:1	SHEET 1 OF 1

Tyco Electronics Tyco Electronics Corporation
s-Hertogenbosch, Netherlands.

SHROUDED HEADER ASSEMBLY, MOD II, DOUBLE-ROW, .100 X .100 CL, .025 SQ POSTS, WITH BD RETENTION FEATURE

SIZE A2 CAGE CODE 00779 DRAWING NO. C=535567 RESTRICTED TO -

MATERIAL: HEAD: GLASS FILLED NYLON, COLOR: BLACK POST: COPPER ALLOY FINISH: SEE TABLE

单击下面可查看定价，库存，交付和生命周期等信息

[>>TE Connectivity\(泰科\)](#)