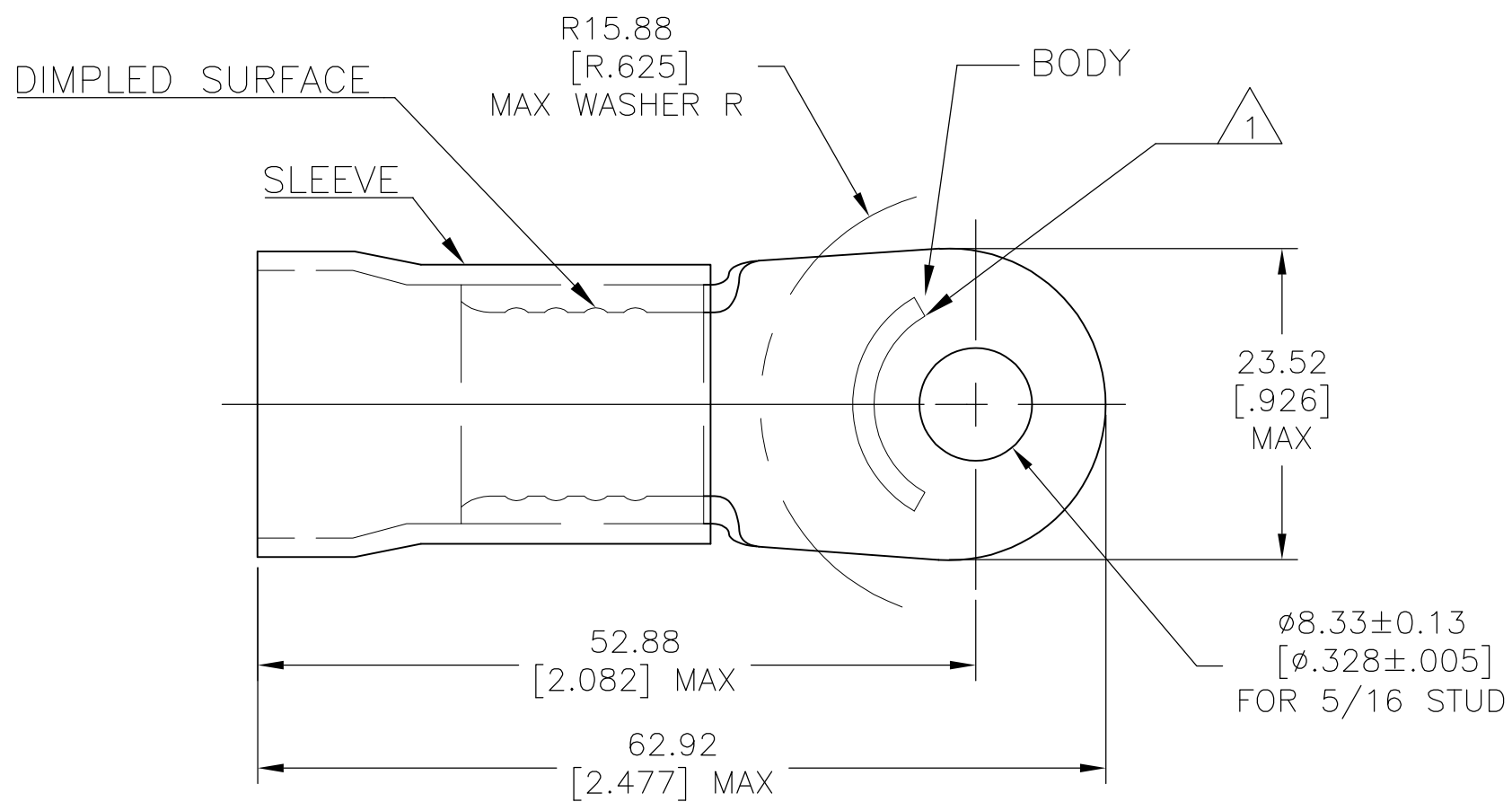


THIS DRAWING IS UNPUBLISHED. RELEASED FOR PUBLICATION  
 © COPYRIGHT BY TYCO ELECTRONICS CORPORATION. ALL INTERNATIONAL RIGHTS RESERVED.

LOC	DIST	REVISIONS					
		P	LTR	DESCRIPTION	DATE	DWN	APVD
G	14		F2	REVISED PER ECO-11-002228	11FEB11	HMR	DR



<b>AMP</b> WIRE RANGE	<b>RU</b> FILE E13288	<b>LR7189</b> Certified
2/0 AWG STRANDED	2/0 AWG STRANDED	2/0 AWG STRANDED

- 1 STAMP AMP 2/0 W\*, LOCATE APPROX AS SHOWN
- 2 TONGUE MATERIAL THK  $2.03 \pm 0.08$  [.080 ± .003]
- 3 WIRE INSULATION DIA 19.69 [.775] MAX
- 4 BODY: COPPER PER ASTM B-152  
SLEEVE: PVC
- 5 BODY: TIN PLATED PER ASTM B-545  
SLEEVE: COLOR-YELLOW

50	LOOSE PC	52046-1
QTY	PACKAGE TYPE	PART NO

MAX RECOMMENDED OPERATING TEMPERATURE: <b>105°C</b>	THIS DRAWING IS A CONTROLLED DOCUMENT.		DWN S.S. GOULDEN 9-28-93	Tyco Electronics Corporation Harrisburg, PA 17105-3608				
	VOLTAGE RATING: <b>600 V MAX</b>	DIMENSIONS: mm [INCHES]	TOLERANCES UNLESS OTHERWISE SPECIFIED: 0 PLC ± - 1 PLC ± - 2 PLC ± 0.20[.008] 3 PLC ± - 4 PLC ± - ANGLES ± -				CHK R. HERSEY 9-28-93	APVD M ELLIS 9-28-93
CIRCULAR MIL AREA: 60.55-76.26mm <sup>2</sup> [119,500-150,500] STRANDED	MATERIAL 4	FINISH 5	PRODUCT SPEC NOT AVAILABLE	APPLICATION SPEC 114-2161	SIZE A3	CAGE CODE 00779	DRAWING NO G-52046	RESTRICTED TO -
CUSTOMER DRAWING			WEIGHT -	SCALE NTS	SHEET 1 OF 1	REV F2		

单击下面可查看定价，库存，交付和生命周期等信息

[>>TE Connectivity\(泰科\)](#)