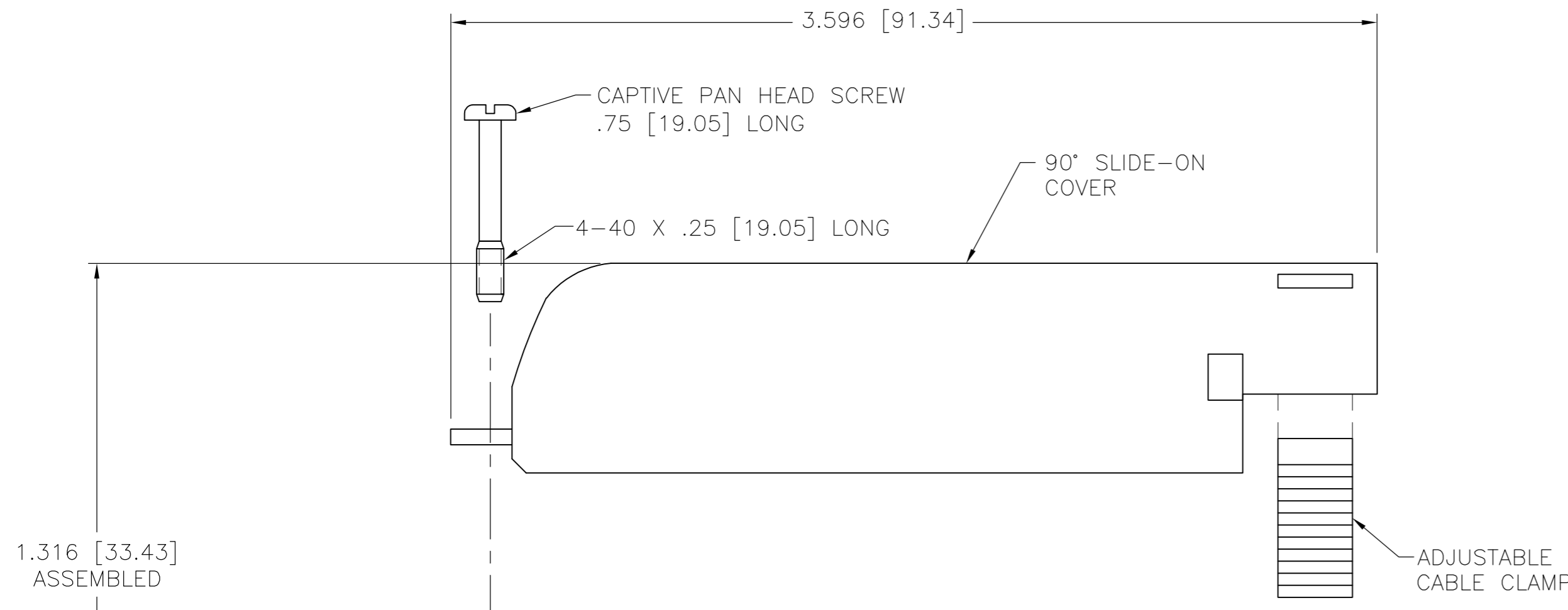
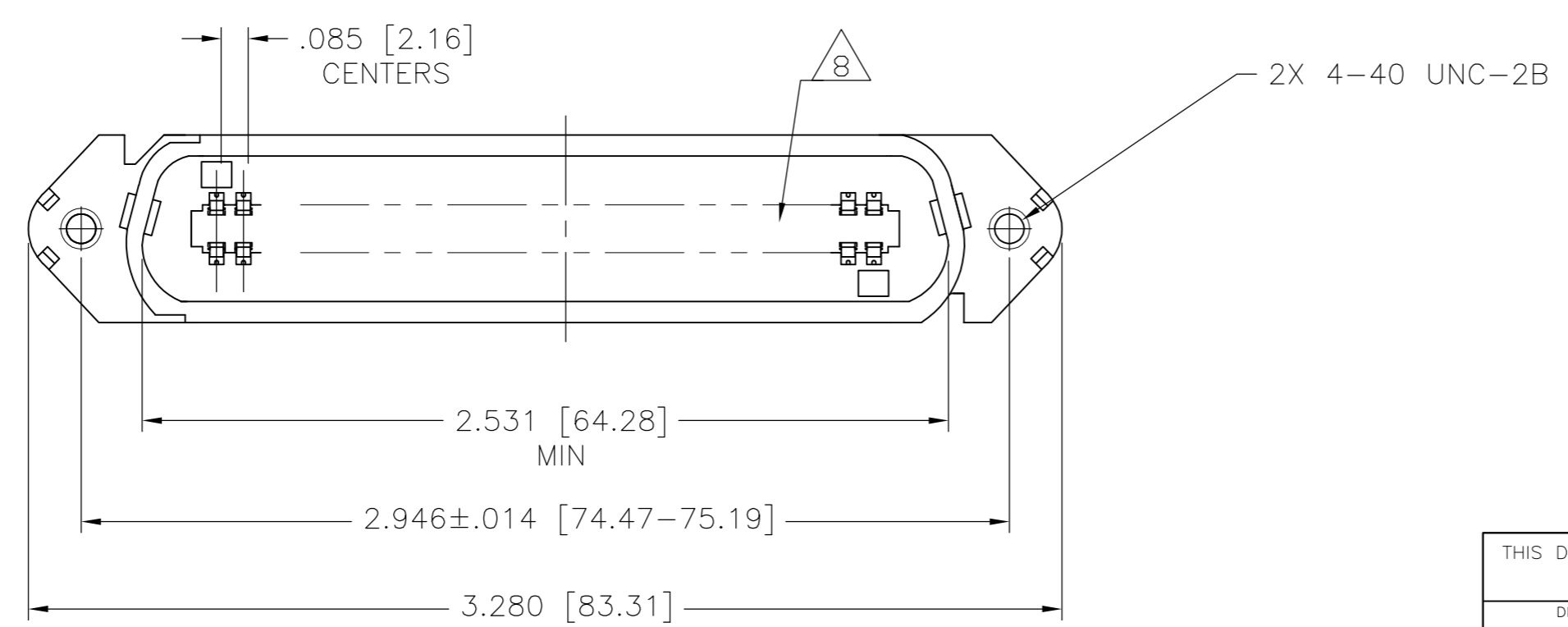
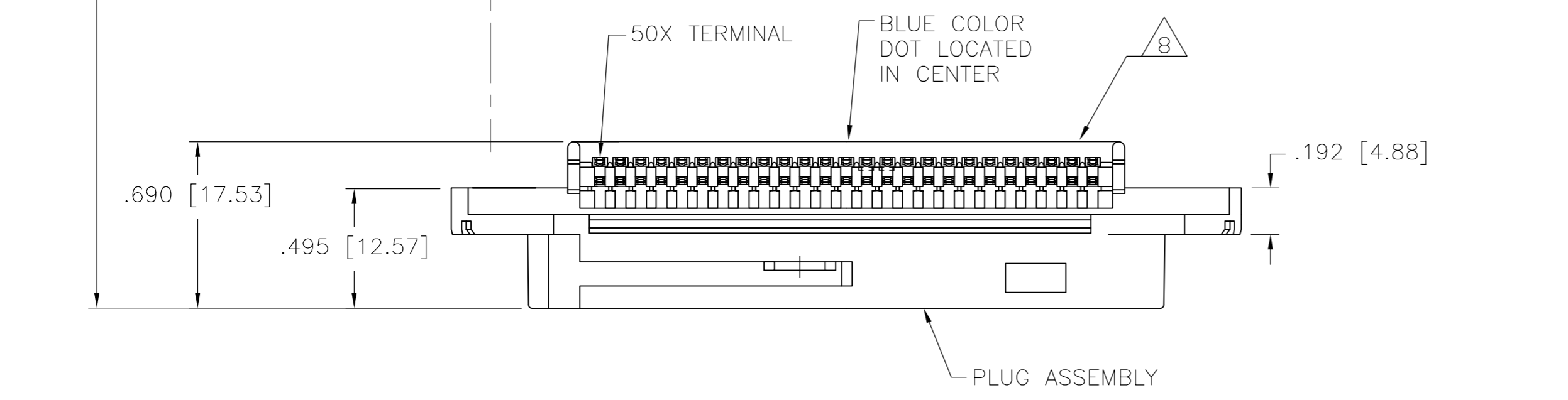


THIS DRAWING IS UNPUBLISHED. RELEASED FOR PUBLICATION
 © COPYRIGHT BY TYCO ELECTRONICS CORPORATION. ALL RIGHTS RESERVED.

LOC	DIST	REVISIONS			
P	LTR	DESCRIPTION	DATE	DWN	APVD
GP	00	B	REVISED PER ECO-08-007327	02OCT08	BM WM



1. THE CONTACT SURFACES OF THE TERMINALS ARE COATED WITH LUBRICANT.
2. ALL DIMENSIONS ARE MAXIMUM UNLESS OTHERWISE SPECIFIED.
- 3 MATERIAL:
 HOUSING, COVER, AND CABLE CLAMP: POLYPHENYLENE OXIDE GRAY.
 TERMINAL: PHOSPHOROUS BRONZE PLATED WITH .000030 [0.76µm] MIN GOLD OR GOLD FLASH OVER PALLADIUM NICKEL PLATE, .000030[0.76µm] MIN TOTAL ON MATING SURFACE. .000050[1.27µm] MIN NICKEL UNDERPLATE OVER ENTIRE TERMINAL.
4. COVER, SCREW & CABLE CLAMP SHIPPED UNASSEMBLED.
5. WIRE SIZE: 24-26 AWG SOLID OR 24 AWG STRANDED COPPER CONDUCTORS, MAXIMUM INSULATION DIAMETER OF .045[1.15] IS ACCEPTABLE FOR MOST APPLICATIONS.
6. CABLE RANGE: .425[10.80] DIAMETER MAX.
7. 500 KITS BULK PACKAGED.
- 8 CORING IS AN OPTIONAL CONFIGURATION AND IS AT THE DISCRETION OF AMP.



5556821-1
 PART NUMBER

THIS DRAWING IS A CONTROLLED DOCUMENT.		DWN B. MCMASTER 27OCT05	Tyco Electronics Corporation Harrisburg, PA 17105-3608	
DIMENSIONS: INCHES [mm]		CHK W. MILLHIMES 27OCT05	NAME PLUG KIT, 50 POSITION, B-SLOT, WITH 90 DEGREE COVER AND SCREW, CHAMP-LOK	
TOLERANCES UNLESS OTHERWISE SPECIFIED:		APVD W. MILLHIMES 27OCT05	SIZE A2	CAGE CODE 00779
0 PLC ± - 1 PLC ± - 2 PLC ± - 3 PLC ± - 4 PLC ± - ANGLES ± -		PRODUCT SPEC APPLICATION SPEC	DRAWING NO C=5556821	RESTRICTED TO -
MATERIAL 3	FINISH 3	WEIGHT -	SCALE 2:1	SHEET 1 of 1
CUSTOMER DRAWING			REV B	

单击下面可查看定价，库存，交付和生命周期等信息

[>>TE Connectivity\(泰科\)](#)