

THIS DRAWING IS UNPUBLISHED. RELEASED FOR PUBLICATION 20  
 © COPYRIGHT 20 BY TYCO ELECTRONICS CORPORATION. ALL RIGHTS RESERVED.

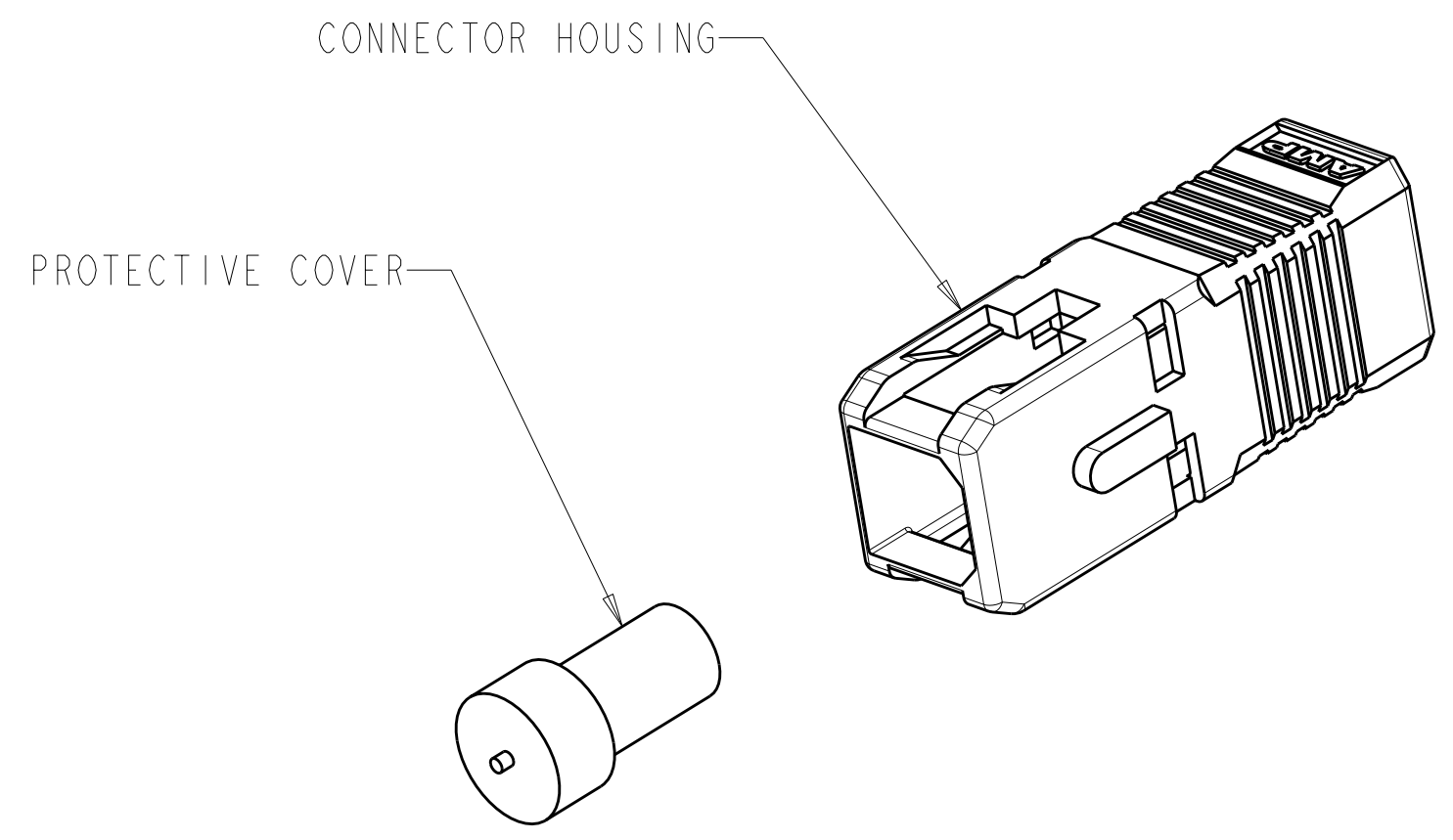
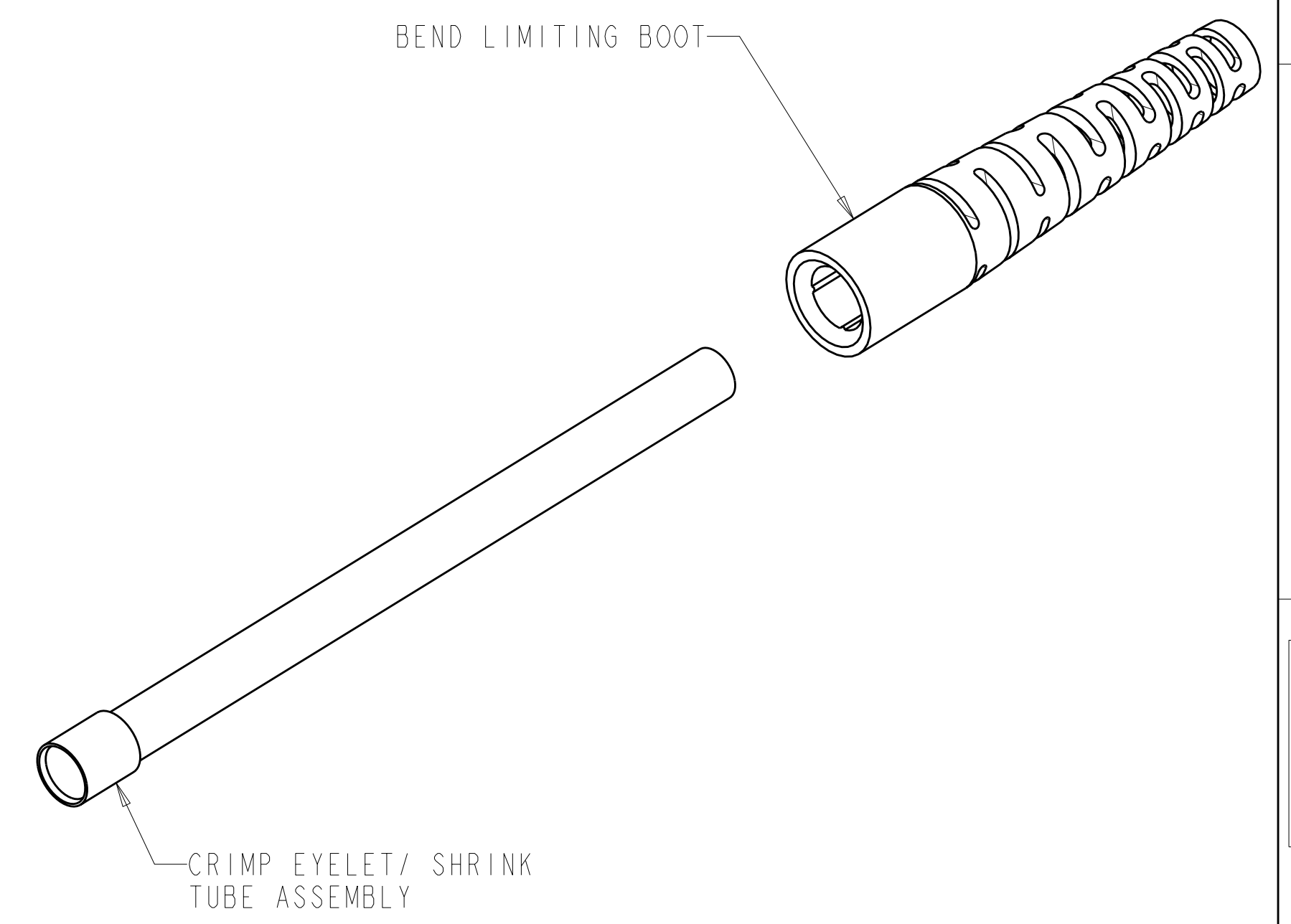
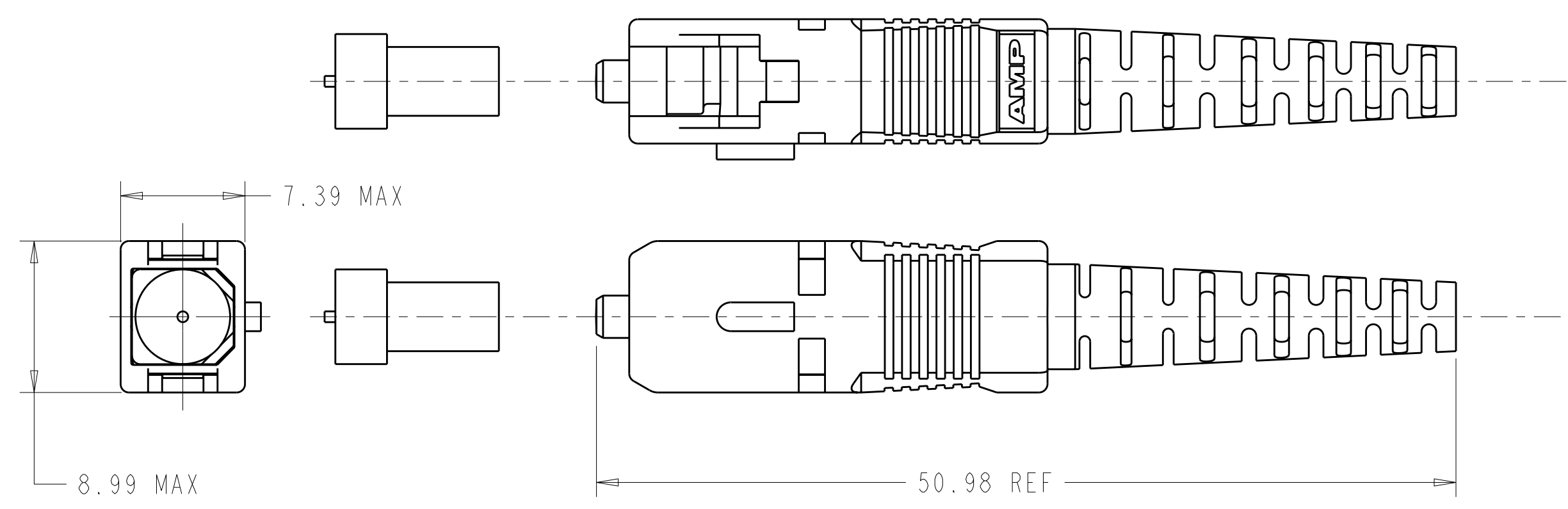
LOC		DIST		REVISIONS			
P	LTR	DESCRIPTION	DATE	DWN	APVD		
	A	RELEASE TO ACTIVE	08JUN2006	BB	SM		
	AI	ADD NOTE 6.	12MAY2009	KG	SB		

1 MATERIAL:  
 PROTECTIVE COVER: LDPE, COLOR: BLACK, NON-FR.  
 CONNECTOR HOUSING: PBT-GF17, COLOR: BLUE.\*  
 CONNECTOR SUBASSEMBLY:  
 PLUG BODY: PES-GF20, COLOR: BEIGE.\*  
 FERRULE ASSEMBLY: CERAMIC / PBT-GF17 COLOR: BLUE.\*  
 EPOXY - FILL TUBING: PVC, COLOR: CLEAR, UL VW-1 RATED.  
 SPRING: STAINLESS STEEL.  
 RETAINER BODY: ALUMINUM.  
 CRIMP EYELET/SHRINK TUBE ASSEMBLY: ALUMINUM/POLYOLEFIN,  
 COLOR: YELLOW/BLACK (2.4mm), UL VW-1 RATED.  
 BEND LIMITING BOOT: PP, COLOR: BLUE.\*  
 \*UL94 V-0 RATED AT QUALIFYING THICKNESS.

4. TO BE USED WITH "LOOSE-JACKETED" CABLE.  
 5. CONTAINS NO BOOTS OR EYELETS.  
 6. INSTRUCTION SHEET 408-8674 AVAILABLE FOR DOWNLOAD  
 AT [www.tycoelectronics.com/documents](http://www.tycoelectronics.com/documents) OR  
[www.ampnetconnect.com/foguide](http://www.ampnetconnect.com/foguide).

2 FINISH:  
 RETAINER BODY: CLEAR ANODIZE.  
 CRIMP EYELET: CLEAR ANODIZE.

3 BULK PACKAGE.



3	2.4mm	6588714-6
	2.4mm	6588714-5
3	1.6mm-2.0mm	6588714-4
5/3	1.6mm-2.0mm	6588714-3
	1.6mm-2.0mm	6588714-1
	CABLE SIZE	PART NUMBER

DIMENSIONS:		TOLERANCES UNLESS OTHERWISE SPECIFIED:		DWN		Tyco Electronics	
mm		0 PLC	±	B. BRIGGS	06 JAN 2006	Tyco Electronics Harrisburg, PA 17105-3608	
		1 PLC	±	CHK	06 JAN 2006	NAME	
		2 PLC	±	S. MILLER	06 JAN 2006	FOKIT SC SM SIMPLEX, 1.6mm - 2.4mm CABLE	
		3 PLC	±	APVD	06 JAN 2006	SIZE	CAGE CODE
		4 PLC	±	S. BUCHTER		A2	00779
		ANGLES	±	PRODUCT SPEC		DRAWING NO	RESTRICTED TO
		FINISH		APPLICATION SPEC		6588714	-
				WEIGHT		SCALE	SHEET
						NTS	OF
							REV
							AI

单击下面可查看定价，库存，交付和生命周期等信息

[>>TE Connectivity\(泰科\)](#)