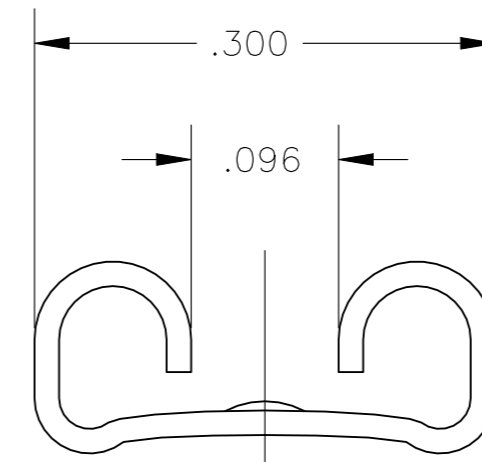
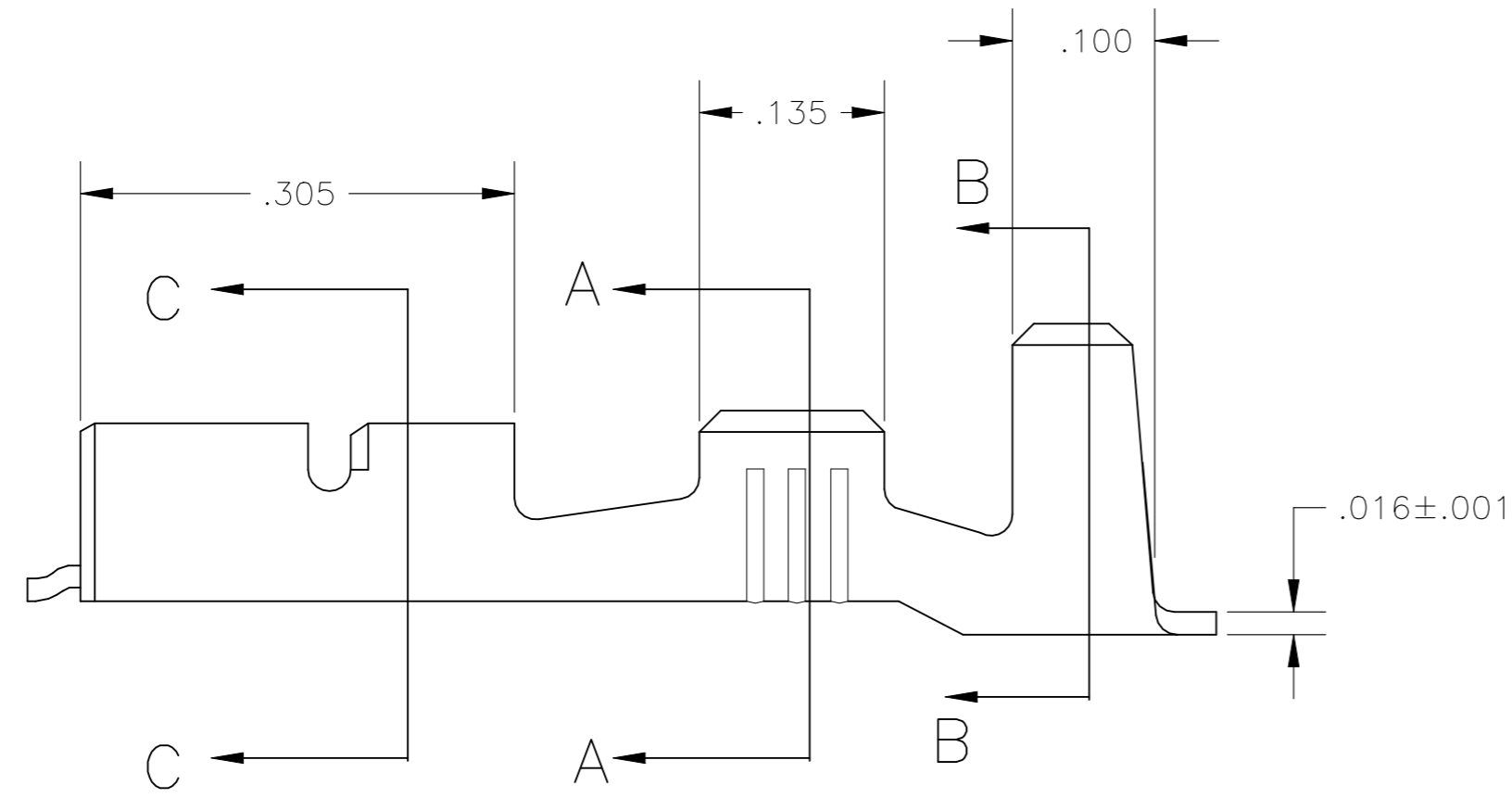
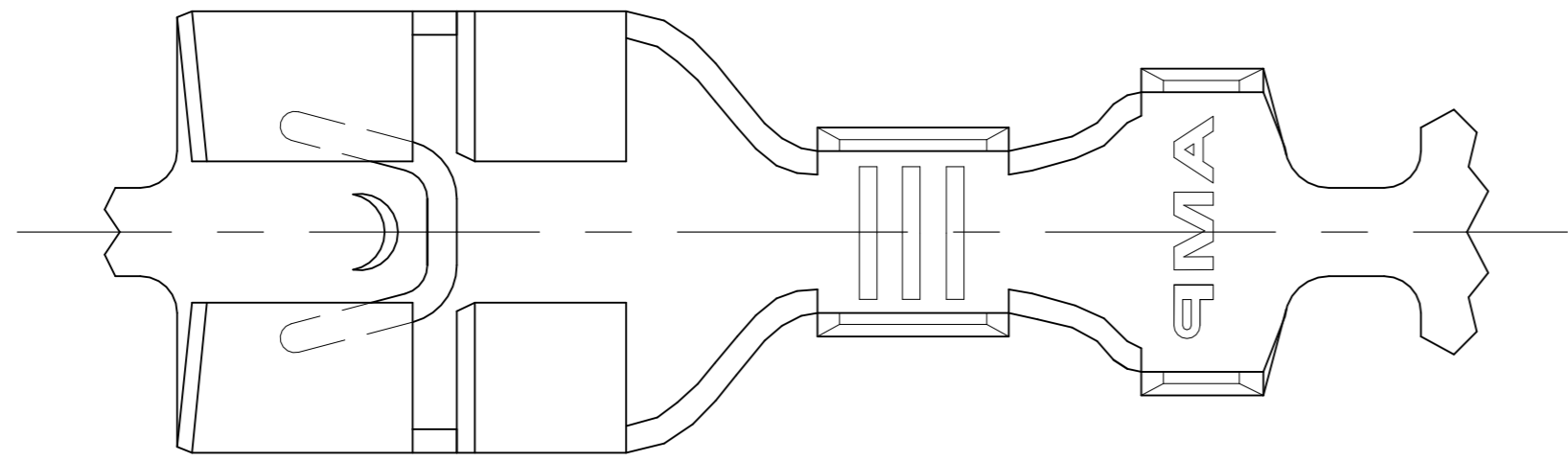
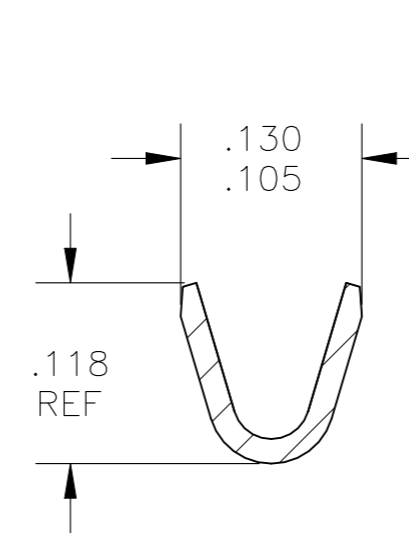


REVISIONS					
P	LTR	DESCRIPTION	DATE	DWN	APVD
B1		REVISED PER ECR-19-018140	24DEC2020	SS	EW

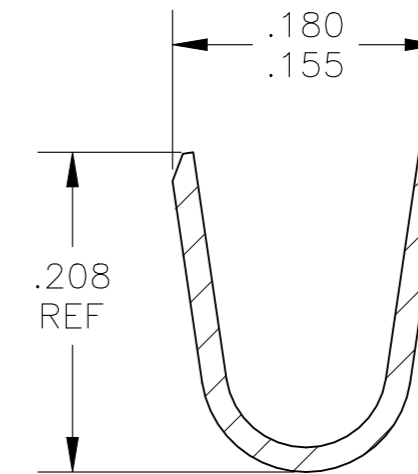
- 1 CONTINUOUS STRIP ON REELS
- 2 ACCEPTS #20-#16 AWG WIRE SIZE
- 3 INSULATION RANGE IS .090-.130 DIA
- 4 MATING TAB THK IS .032±.001.



SECTION C-C



SECTION A-A



SECTION B-B

OBSOLETE

1742950-1
PART NO

THIS DRAWING IS A CONTROLLED DOCUMENT.		DWN JR RUTH 25JUL06	 TE Connectivity RECEPTACLE, FASTON, .250 SERIES					
DIMENSIONS: INCHES		CHK P DESANTIS 25JUL06				NAME	SIZE	CAGE CODE
TOLERANCES UNLESS OTHERWISE SPECIFIED: 0 PLC ± - 1 PLC ± - 2 PLC ± - 3 PLC ± .010 4 PLC ± - ANGLES ± -		APVD P DESANTIS 25JUL06				DRAWING NO	RESTRICTED TO	
MATERIAL BRASS		FINISH SEE TABLE				WEIGHT 0.000000	SCALE 8:1	SHEET 1 of 1
CUSTOMER DRAWING			REV B1					

单击下面可查看定价，库存，交付和生命周期等信息

[>>TE Connectivity\(泰科\)](#)