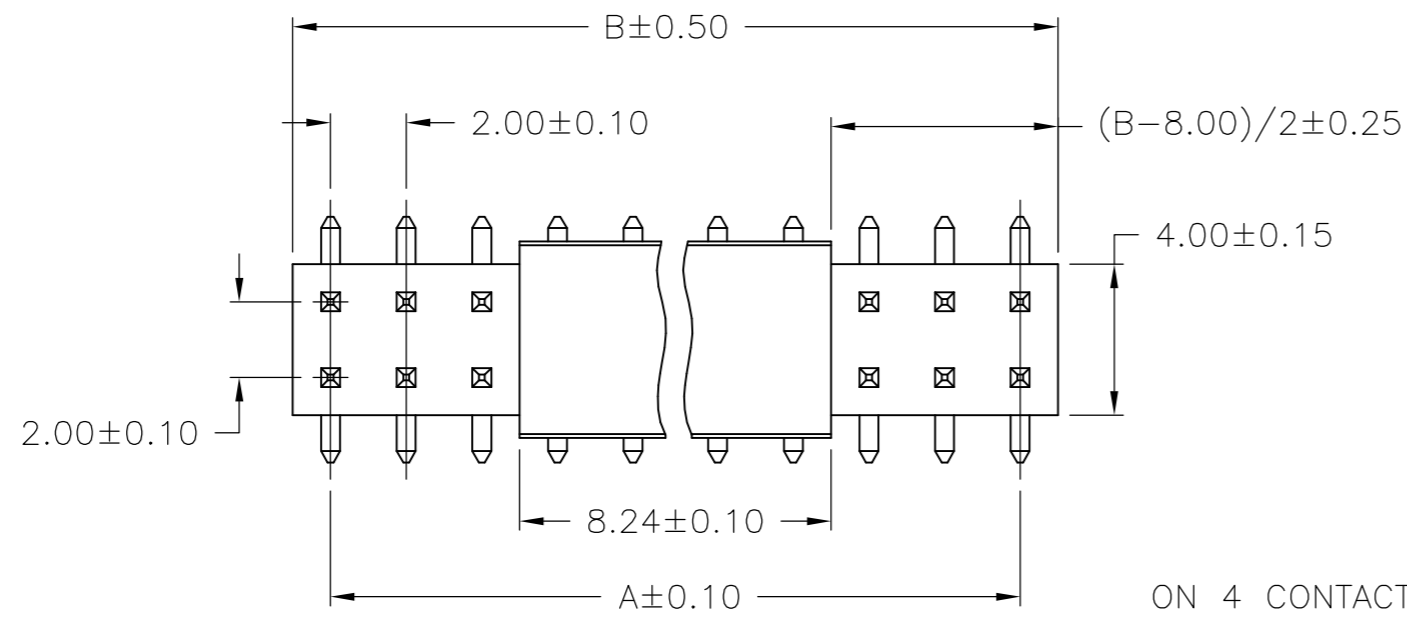


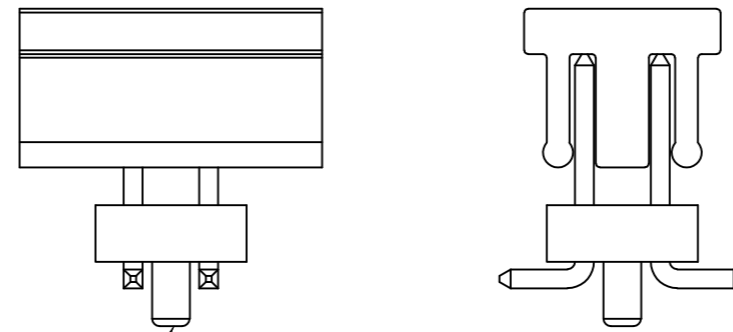
THIS DRAWING IS UNPUBLISHED. RELEASED FOR PUBLICATION
 © COPYRIGHT BY TYCO ELECTRONICS CORPORATION. ALL INTERNATIONAL RIGHTS RESERVED.

LOC		DIST		REVISIONS			
P	LTR	DESCRIPTION		DATE	DWN	APVD	
-	-	A	RELEASED	04SEP09	DH	DB	

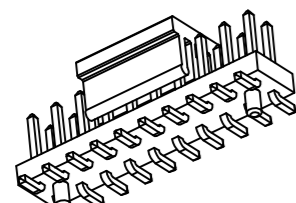
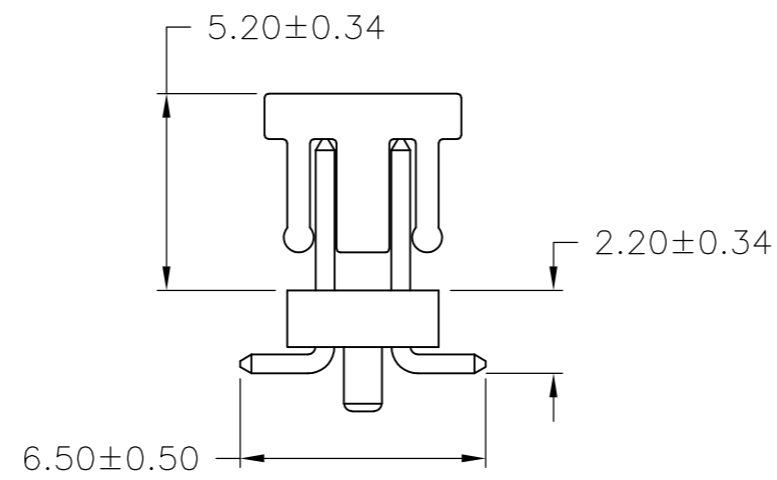
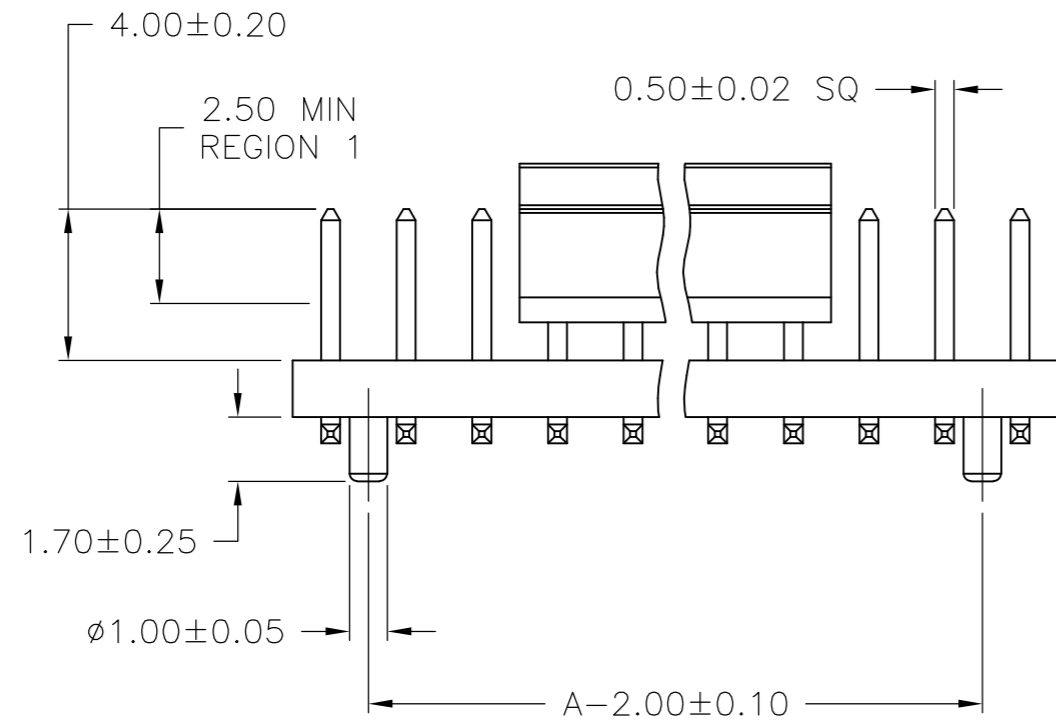
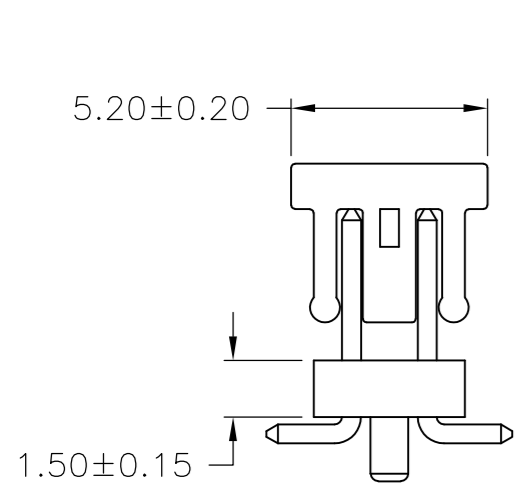
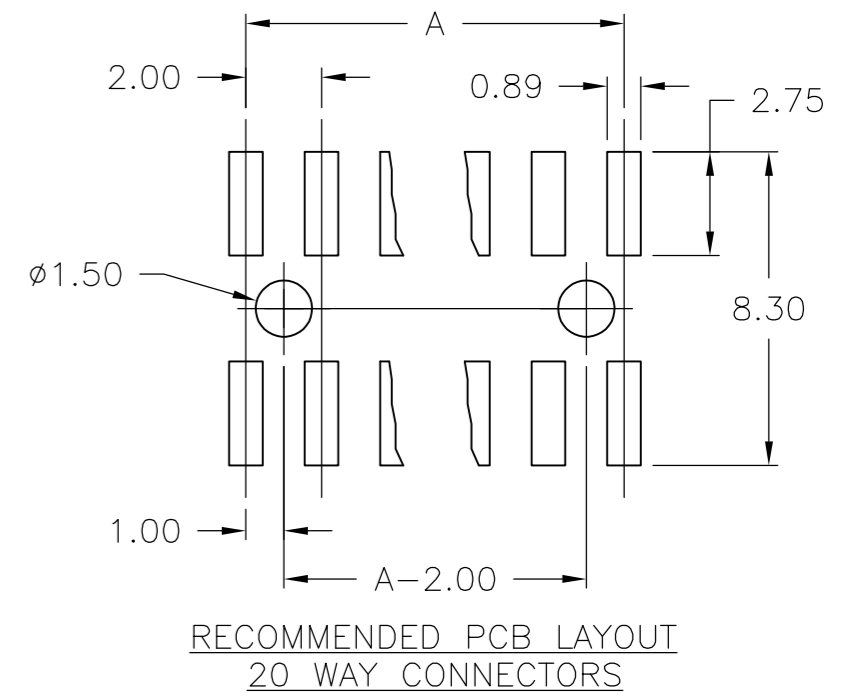
1 PACKAGED PER EIA-481 SPECIFICATION.



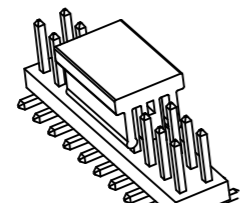
NOTE: ON POSITION SIZES 4 THRU 8, CAP LENGTH WILL BE ≥ TO PART LENGTH



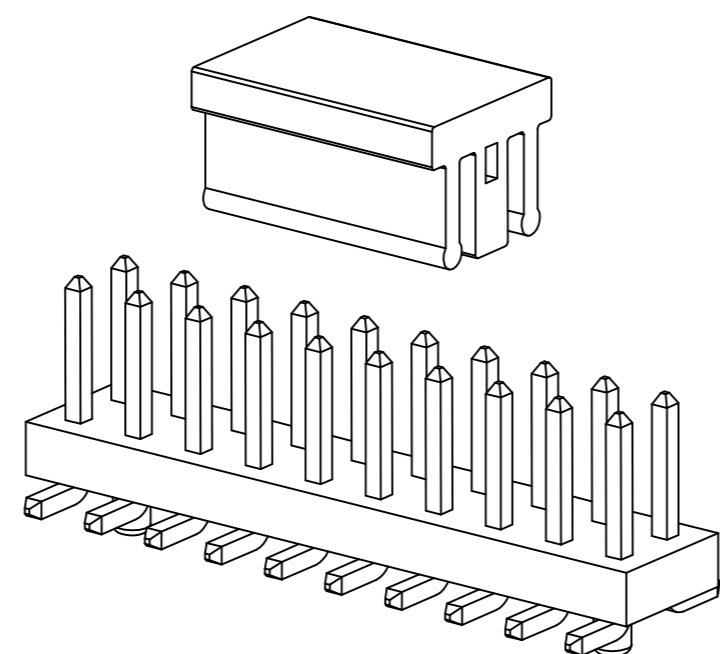
ON 4 CONTACT CONNECTOR ONLY ONE LOCATION PEG



SCALE 2:1



SCALE 2:1



SCALE 5:1

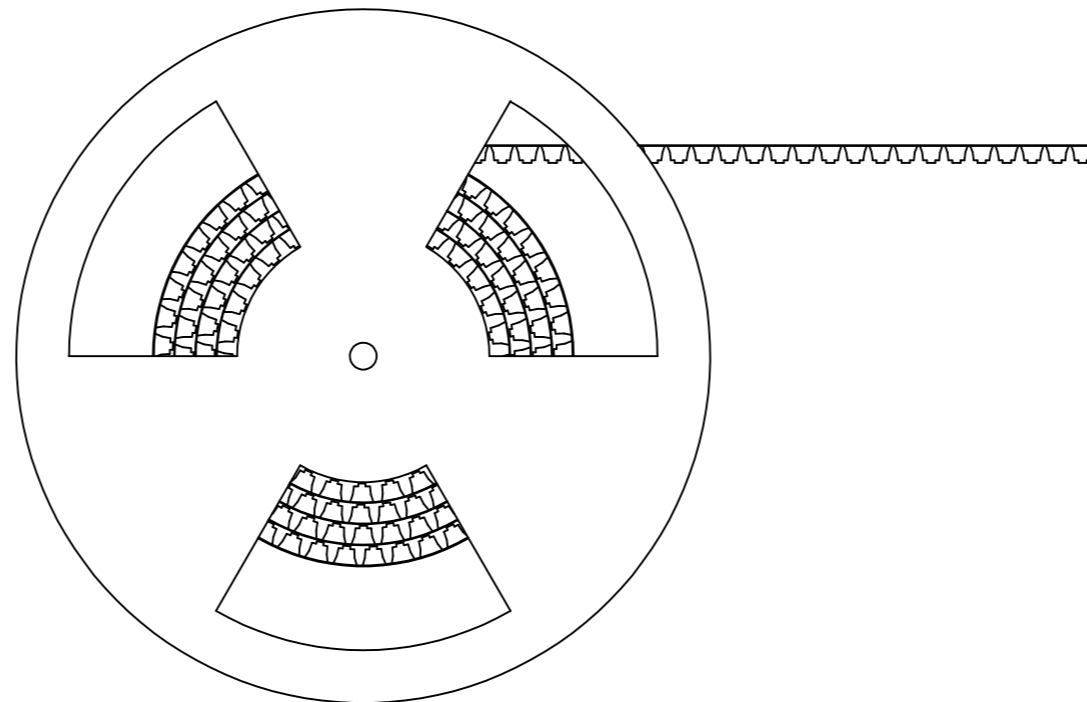
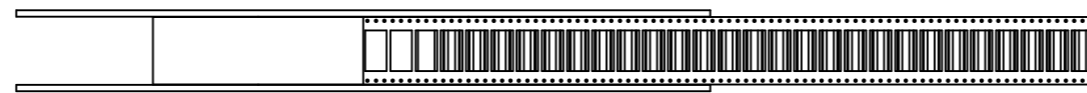
20.00	18.00	44	1-2110423-0	20	30μ" Au	1-2110424-0
DIM B	DIM A	POCKET TAPE WIDTH	CONNECTOR PART NUMBER	NO. OF CONTACTS	FINISH THICKNESS	PART NUMBER

THIS DRAWING IS A CONTROLLED DOCUMENT.		DWN 04SEP2009 D. HUMBERT	Tyco Electronics Corporation Harrisburg, PA 17105-3608			
DIMENSIONS: mm		CHK 04SEP2009 D. BRATINA	AMP MODU PIN VERT MOUNT SMC TAPE AND REEL WITH PEG			
TOLERANCES UNLESS OTHERWISE SPECIFIED:		APVD 04SEP2009 D. BRATINA	NAME			
0 PLC ± -		PRODUCT SPEC	SIZE CAGE CODE DRAWING NO RESTRICTED TO			
1 PLC ± -		APPLICATION SPEC	A2 00779 C=2110424			
2 PLC ± -		WEIGHT	SCALE 5:1 SHEET 1 OF 2 REV A			
3 PLC ± -		CUSTOMER DRAWING				
4 PLC ± -						
ANGLES ± -						
FINISH						

THIS DRAWING IS UNPUBLISHED. RELEASED FOR PUBLICATION
 © COPYRIGHT BY TYCO ELECTRONICS CORPORATION. ALL INTERNATIONAL RIGHTS RESERVED.

LOC		DIST		REVISIONS			
P	LTR	DESCRIPTION	DATE	DWN	APVD		
-	-	SEE SHEET 1	-	-	-		

REELING ORIENTATION
 20 WAY CONNECTORS



THIS DRAWING IS A CONTROLLED DOCUMENT.		DWN	04SEP2009	Tyco Electronics Corporation Harrisburg, PA 17105-3608	
DIMENSIONS: mm		CHK	04SEP2009		
		APVD	04SEP2009		
TOLERANCES UNLESS OTHERWISE SPECIFIED: 0 PLC ± - 1 PLC ± - 2 PLC ± - 3 PLC ± - 4 PLC ± - ANGLES ± -		PRODUCT SPEC	-		
MATERIAL		FINISH		NAME	
-		-		AMP MODU PIN VERT MOUNT SMC TAPE AND REEL WITH PEG	
		WEIGHT		SIZE	CAGE CODE
		-		A2	00779
		CUSTOMER DRAWING		DRAWING NO	RESTRICTED TO
				C=2110424	-
				SCALE	SHEET
				5:1	2 of 2
				REV	A

2110424

单击下面可查看定价，库存，交付和生命周期等信息

[>>TE Connectivity\(泰科\)](#)