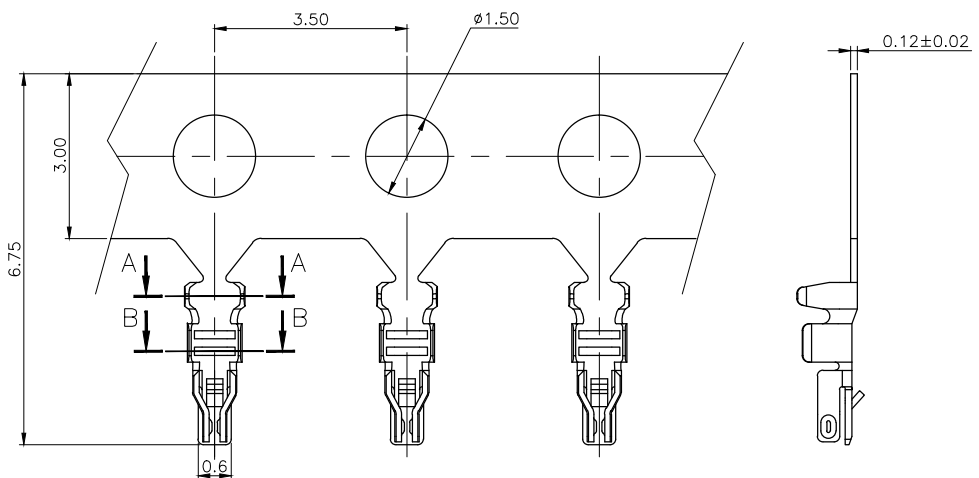
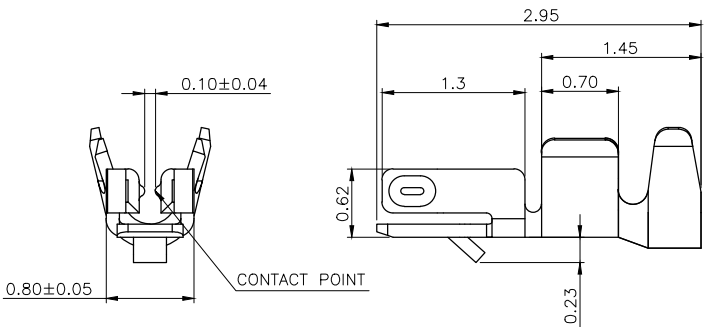
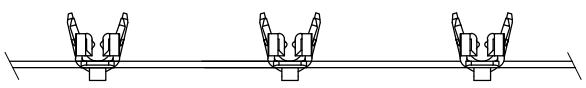


THIS DRAWING IS UNPUBLISHED. RELEASED FOR PUBLICATION AUG ,2006.
 © COPYRIGHT BY TYCO ELECTRONICS CORPORATION. ALL RIGHTS RESERVED.

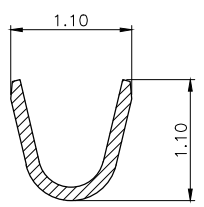
LOC		DIST		REVISIONS			
P	LTR	DESCRIPTION		DATE	DWN	APVD	
	B2	REVISED (ECO-14-003225)		25AUG14	S.W	H.L	



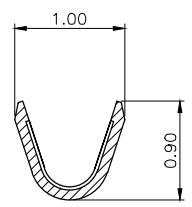
- NOTE:
- MATERIAL:
TERMINAL: PHOSPHOR BRONZE, 0.12±0.02 THICKNESS.
 - FINISH:
GOLD FLASH PLATED ON CONTACT POINT AND OVER 0.508um [20u"] MIN. NICKEL ON ENTIRE CONTACT.
 - FOR WIRE AWG: #30 ~ #28.



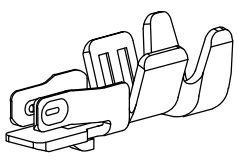
SCALE 2:1



INSULATION BARREL
SECTION A-A
SCALE 2:1



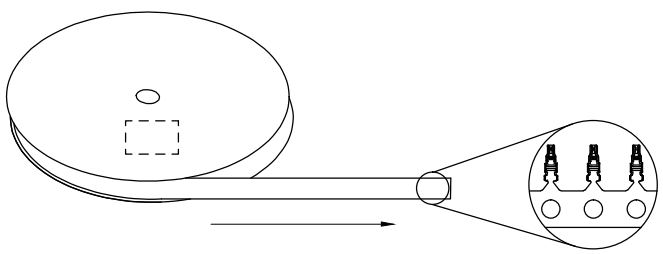
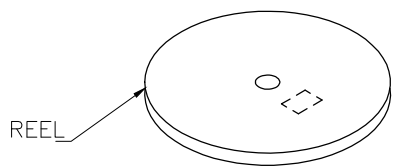
WIRE BARREL
SECTION B-B
SCALE 2:1



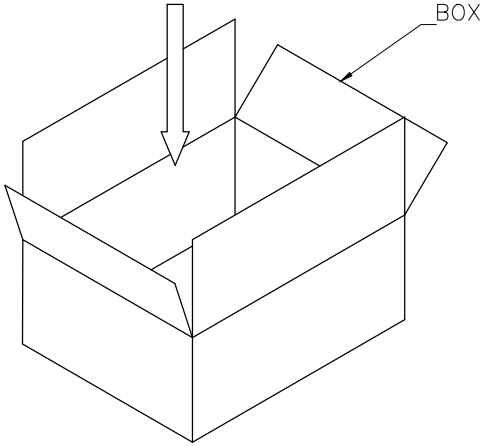
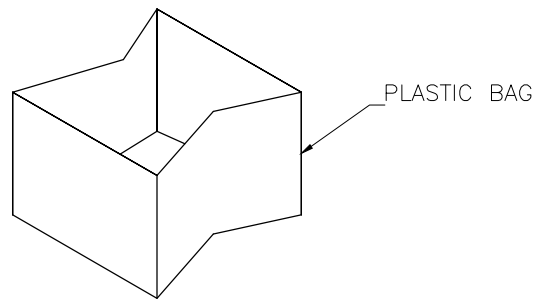
1909784-1
PART NUMBER

THIS DRAWING IS A CONTROLLED DOCUMENT.		DWN F. YANG 24APR2009	TE Connectivity		
DIMENSIONS: MM		CHK S. CHIEN 24APR2009			
TOLERANCES UNLESS OTHERWISE SPECIFIED:		APVD W. KODAMA 24APR2009	NAME		
0 PLC ± - 1 PLC ± 0.3 2 PLC ± 0.2 3 PLC ± - 4. PLC ANGLES ± 3°		PRODUCT SPEC	WIRE TO BOARD TERMINAL, 1.2mm TOP ENTRY		
MATERIAL SEE NOTE		APPLICATION SPEC 114-57021	SIZE A3	CAGE CODE 00779	DRAWING NO C=1909784
FINISH SEE NOTE		WEIGHT	RESTRICTED TO		
CUSTOMER DRAWING		SCALE	SHEET	1 OF 2	REV B2

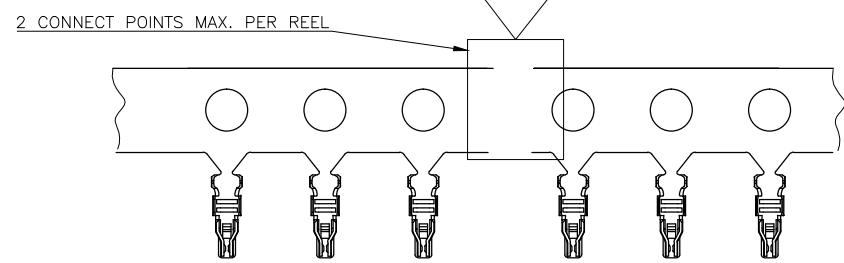
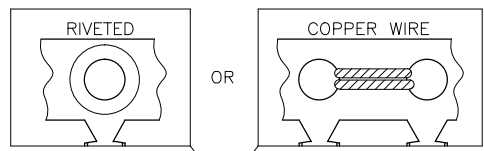
LOC DW	DIST	REVISIONS			
P	LTR	DESCRIPTION	DATE	DWN	APVD
		SEE SHEET 1.			



- NOTES:
 1. DIMENSION:
 PE BAG: 917 X 768 X 0.08 mm.
 CARTON: 427 X 427 X 175 mm.
 2. QUANTITY: (SEE TABLE)
 3. WEIGHT: (SEE TABLE)



CONNECTING METHOD CONFIGURATION



20,000	6	120,000	5.1	2.4	1909784-1
PIN/TAPE	REELS/BOX	QUANTITY (PIN)	G/W (Kg)	N/W (Kg)	PART NUMBER

THIS DRAWING IS A CONTROLLED DOCUMENT.		DWN
DIMENSIONS: MM		CHK
TOLERANCES UNLESS OTHERWISE SPECIFIED:		APVD
0 PLC	± -	PRODUCT SPEC
1 PLC	± -	APPLICATION SPEC
2 PLC	± -	WEIGHT
3 PLC	± -	CUSTOMER DRAWING
4 PKG ANGLES	± -	
MATERIAL	FINISH	

STE TE Connectivity			
NAME WIRE TO BOARD TERMINAL, 1.2mm TOP ENTRY			
SIZE	CAGE CODE	DRAWING NO	RESTRICTED TO
A3	00779	C=1909784	
SCALE		SHEET	REV
		2 of 2	B2

单击下面可查看定价，库存，交付和生命周期等信息

[>>TE Connectivity\(泰科\)](#)