

4

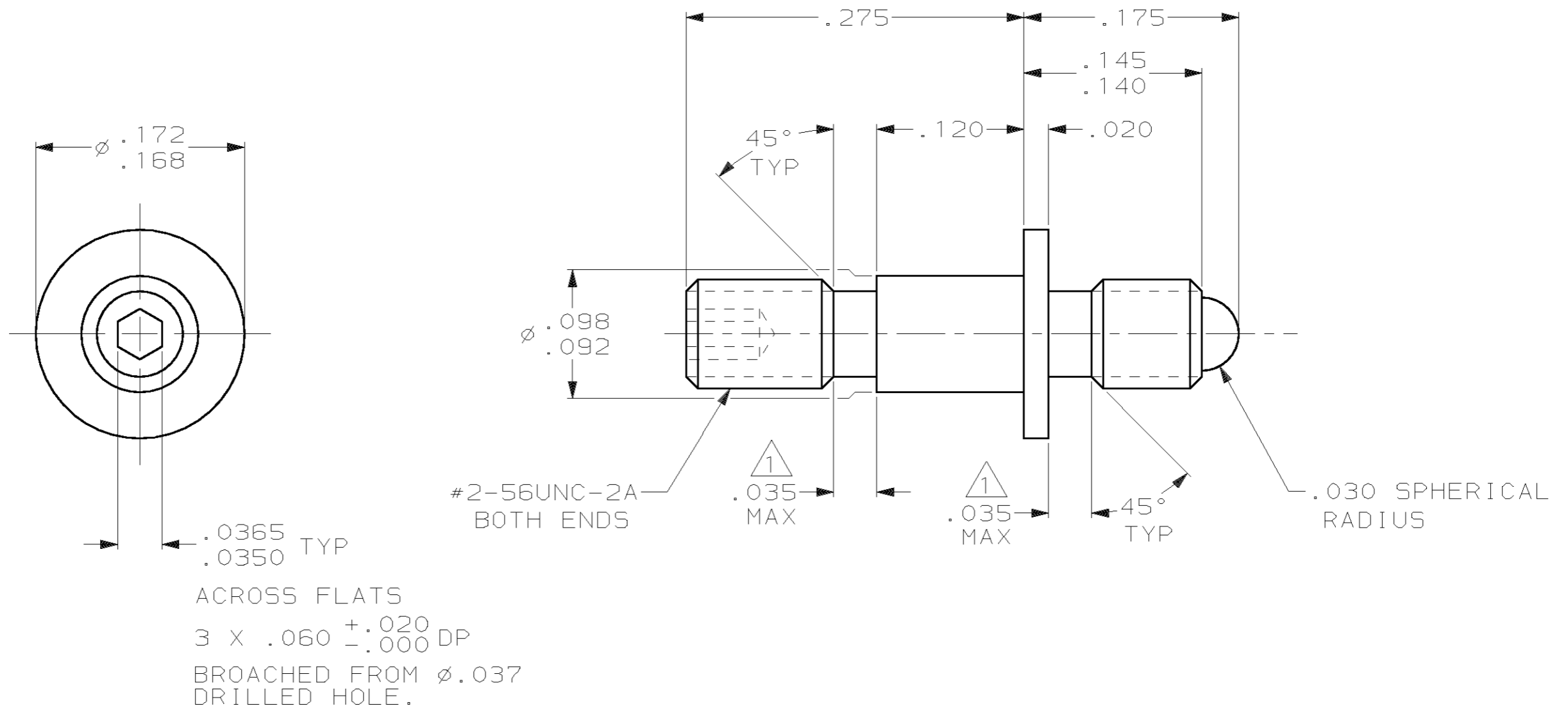
3

2

1

THIS DRAWING IS UNPUBLISHED. RELEASED FOR PUBLICATION ,19 .
 © COPYRIGHT 19 BY AMP INCORPORATED. ALL RIGHTS RESERVED.

LOC	DIST	REVISIONS			
P	LTR	DESCRIPTION	DATE	DWN	APVD
DF	FO	B	REV & REDRAWN; 0600-8364-99	3-00	CT DM



1 NO THREADS IN THIS AREA.

534683-2
 PART NO.

THIS DRAWING IS A CONTROLLED DOCUMENT.		DWN C.C. THOMAS 3-2-00	AMP AMP Incorporated Harrisburg, PA 17105-3608
DIMENSIONS: INCHES		CHK D. MILLER 3-9-00	
TOLERANCES UNLESS OTHERWISE SPECIFIED:		APVD D. MILLER 3-9-00	NAME JACKSCREW, MALE, MINI-BOX
0 PLC \pm		PRODUCT SPEC	SIZE A3
1 PLC \pm		APPLICATION SPEC	CAGE CODE 00779
2 PLC \pm		WEIGHT	DRAWING NO C-534683
3 PLC $\pm .008$		CUSTOMER DRAWING	RESTRICTED TO
4 PLC \pm		SCALE 10:1	SHEET 1 OF 1
ANGLES \pm			REV B
MATERIAL STAINLESS STEEL	FINISH PASSIVATED		

单击下面可查看定价，库存，交付和生命周期等信息

[>>TE Connectivity\(泰科\)](#)