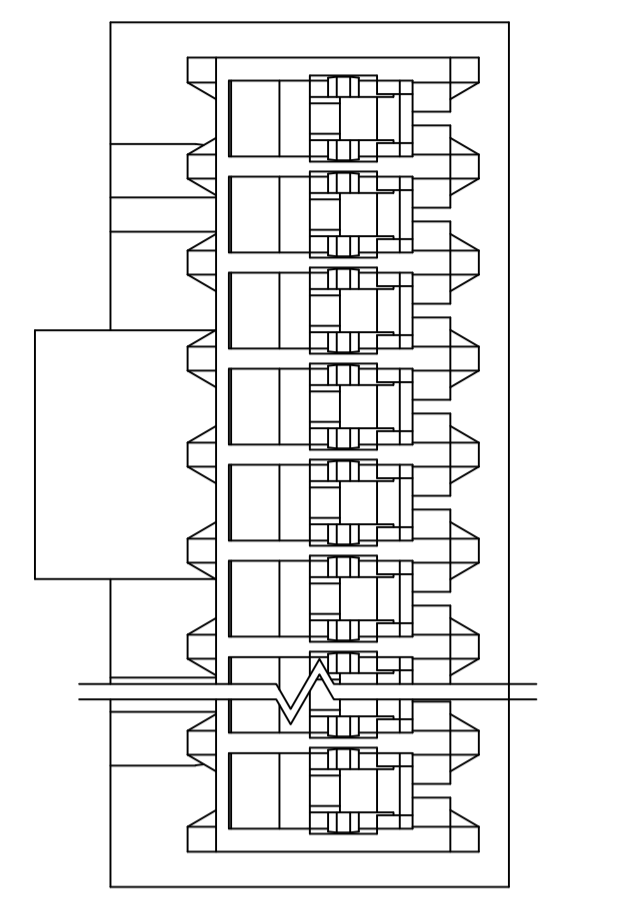
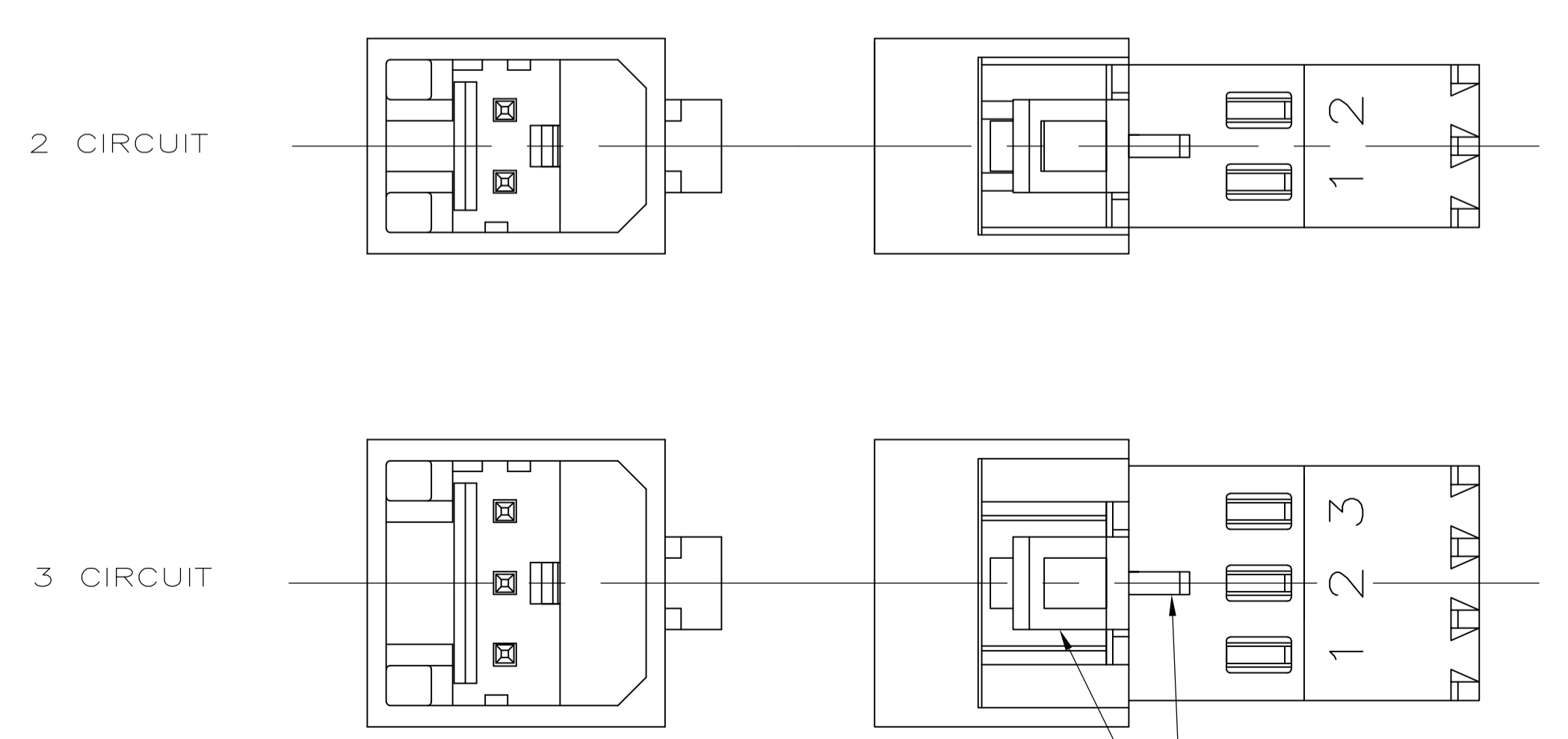
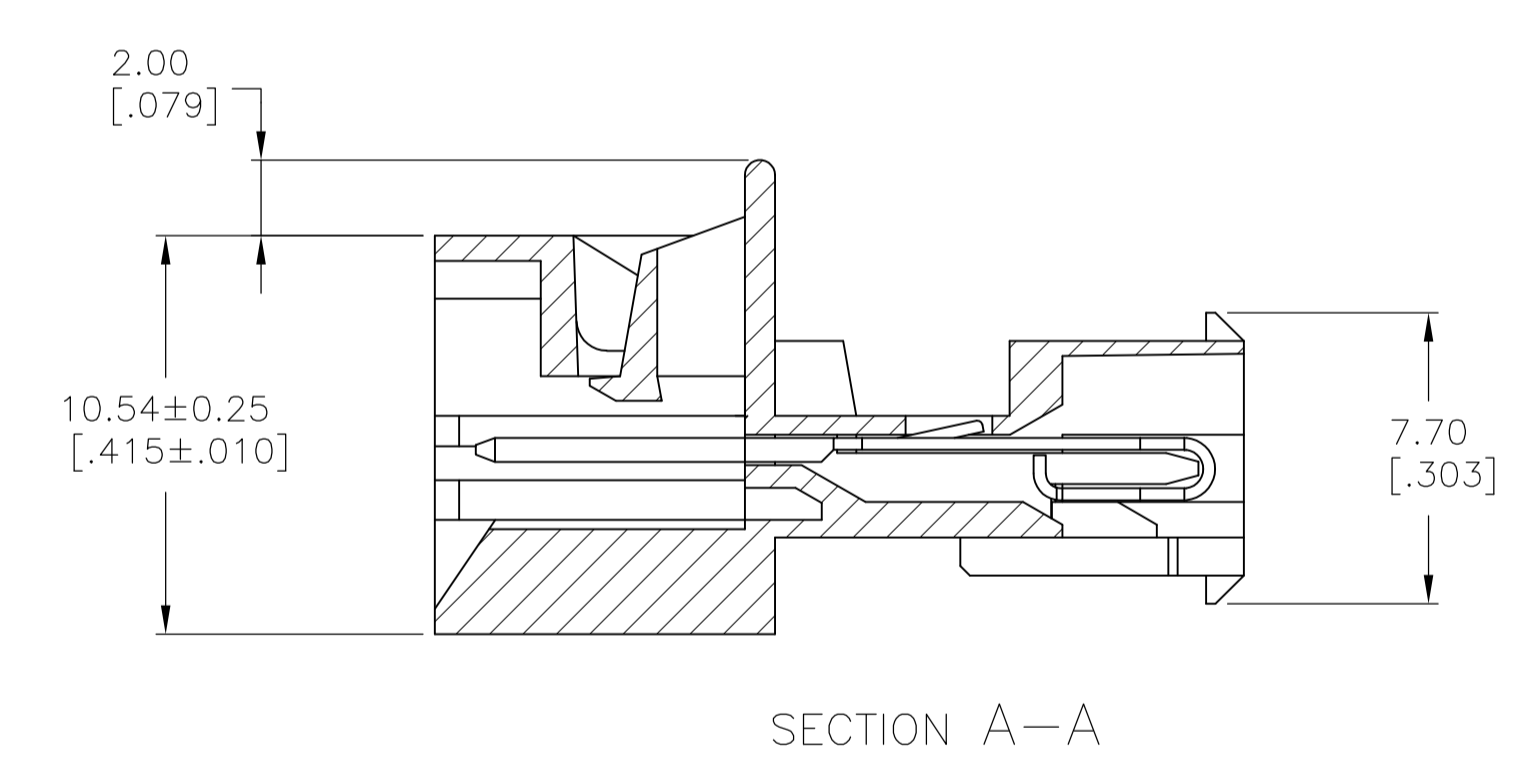
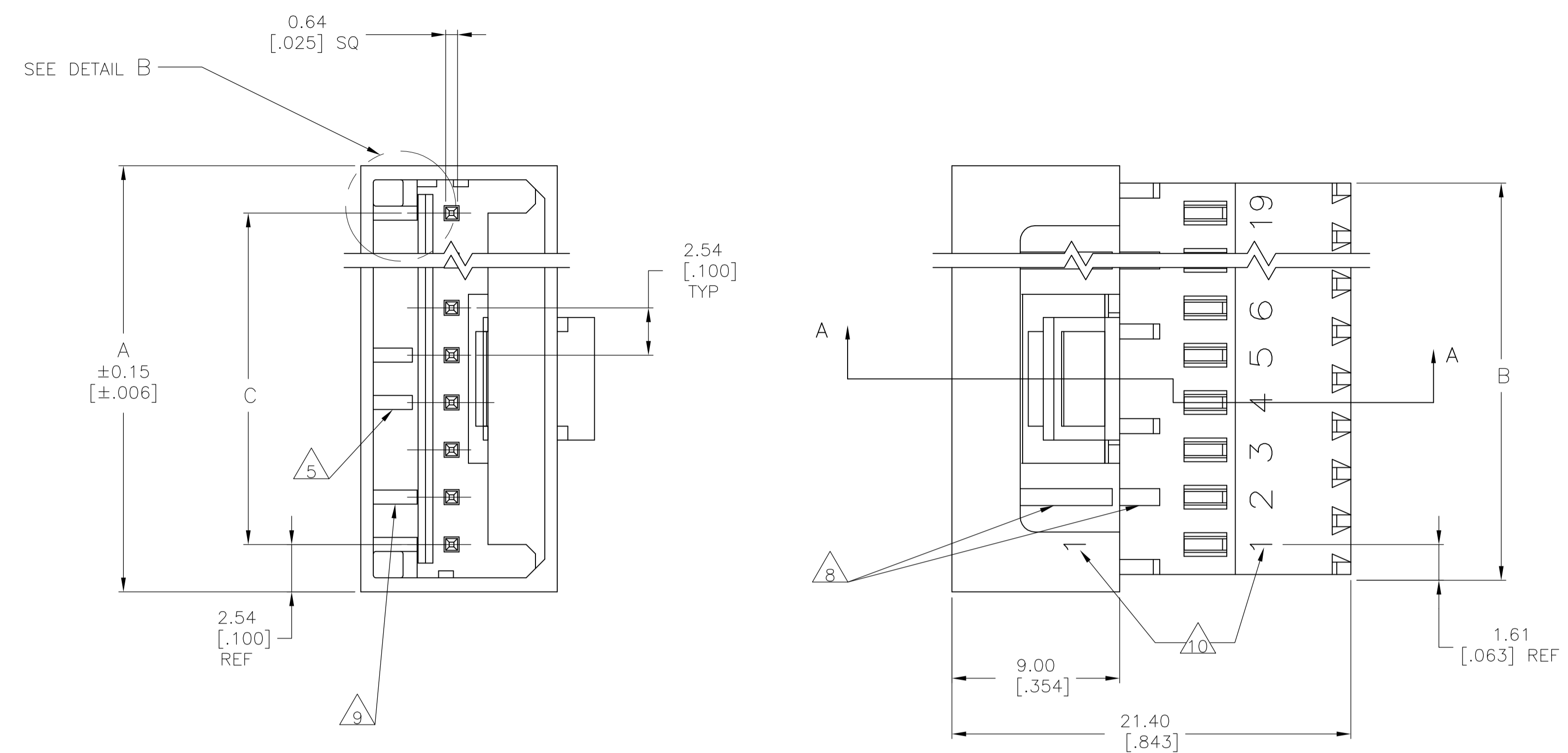


LOC		DIST		REVISIONS			
CM	00	REV	DATE	BY	APPV	DATE	REV
N		REVISED PER	ECR-20-000808			26MAY2020	PC SW



- 1 MATERIAL:  
 HOUSING- NYLON UL94V-2 (RED).  
 CONTACTS- 0.30 [.012] THK COPPER ALLOY  
 DUAL PLATING : GOLD PLATE AREA, 0.00038 [.000015] GOLD OR 0.00008 [.000003] MIN GOLD FLASH OVER 0.00030 [.000012] PALLADIUM NICKEL, PER TE CONNECTIVITY'S DISCRETION, ONPOST, MATTE TIN 0.00203[.000080] MIN THK 647016-2 THRU 1-647016-9 OR MATTE TIN 0.00203[.000080] MIN THK. FOR 3-647016-2 THRU 4-647016-9 ON WIRE SLOT, WITH NICKEL UNDERPLATE .00127[.000050] MIN THK ALL OVER.
- 2 CONTACTS ACCEPT 22 AWG (0.3-0.4 mm<sup>2</sup>) TIN PLATED SOLID,CONCENTRIC FUSED STRANDED, OR CONCENTRIC STRANDED (7 AND 19 STRAND) WIRE WITH 1.52 [.060] MAX INSULATION DIAMETER.
- 3 MATES WITH STANDARD MTA-100 CONNECTORS: OF THE SAME CIRCUIT SIZES WITH SIMILARLY PLATED CONTACTS WITH POLARIZING TABS-CIRCUIT SIZES 4-19 ONLY WITHOUT POLARIZING TABS-CIRCUIT SIZES 2 & 3.  
  
 DOES NOT MATE WITH MTA-100 CONNECTORS: WITH POLARIZING TABS-CIRCUIT SIZES 2 & 3 ONLY. (SEE DETAIL A) WITH BLOCKED CIRCUITS -ALL CIRCUIT SIZES. NOT RECOMMENDED FOR MATING WITH MTA-100 CONNECTOR WITHOUT POLARIZING TABS. CIRCUIT SIZES 4-19.
- 4 ACCESSORIES:  
 REPLACEMENT IDC CONTACTS: 647030-2.  
 COVERS: SEE TABLE
- 5 QUANTITY OF CENTRALLY POSITIONED RAILS VARIES WITH CIRCUIT SIZE. (SEE TABLE) LOCATION MAY DIFFER FROM EXAMPLE SHOWN.
- 6 DIMENSIONS IN BRACKETS ARE IN INCHES.
- 7 SIMILAR SIZED LOCK AND SINGLE TAB USED OR CIRCUITS 4 & 5.
- 8 QUANTITY OF GUSSET RIBS VARIES WITH CIRCUIT SIZE (SEE TABLE). LOCATION MAY DIFFER FROM EXAMPLE SHOWN.
- 9 INNER END RAIL PAIR NOT PRESENT FOR CIRCUIT SIZES 2 OR 3.
- 10 CIRCUIT ID MAY APPEAR FULLY NUMBERED OR SHOWING LOCATION 1 ONLY DEPENDING ON CIRCUIT SIZE.
- 11 OBSOLETE PARTS: OBSOLETE CIS STREAMLINING PER D.RENAUD/D.SINISI

THIS DRAWING IS A CONTROLLED DOCUMENT.		DIN J. HUFFMAN 31MAR97	
DIMENSIONS: mm [INCHES]		CIR R. SWING 31MAR97	
TOLERANCES UNLESS OTHERWISE SPECIFIED:		APV R. WILSON 01APR97	NAME
0 PLC ± -			MTA-100 POSTED CONNECTOR ASSEMBLY, CLOSED END, 22 AWG, .000015 GOLD
1 PLC ± -			PRODUCT SPEC
2 PLC ± 0.20 [.007]			APPLICATION SPEC
3 PLC ± -			SIZE
4 PLC ± -			CAGE CODE
ANGLES ± -			DRAWING NO
MATERIAL 1	FINISH 1	WEIGHT -	A1 00779 C=647016
CUSTOMER DRAWING		SCALE 5:1	SHEET 1 OF 2

					MM	IN	MM	IN	MM	IN	NO. OF CIRCUITS	PART NO
1-640642-9	1-643077-9	4	2	45.72	1.800	48.95	1.927	50.80	2.000	19	4-647016-9	
1-640642-8	1-643077-8	4	2	43.18	1.700	46.41	1.827	48.26	1.900	18	4-647016-8	
1-640642-7	1-643077-7	4	2	40.64	1.600	43.87	1.727	45.72	1.800	17	4-647016-7	
1-640642-6	1-643077-6	4	2	38.10	1.500	41.33	1.627	43.18	1.700	16	4-647016-6	
1-640642-5	1-643077-5	4	2	35.56	1.400	38.79	1.527	40.64	1.600	15	4-647016-5	
1-640642-4	1-643077-4	4	2	33.02	1.300	36.25	1.427	38.10	1.500	14	4-647016-4	
1-640642-3	1-643077-3	4	2	30.48	1.200	33.71	1.327	35.56	1.400	13	4-647016-3	
1-640642-2	1-643077-2	2	1	27.94	1.100	31.17	1.227	33.02	1.300	12	4-647016-2	
1-640642-1	1-643077-1	2	1	25.40	1.000	28.63	1.127	30.48	1.200	11	4-647016-1	
1-640642-0	1-643077-0	2	1	22.86	.900	26.09	1.027	27.94	1.100	10	4-647016-0	
640642-9	643077-9	2	1	20.32	.800	23.55	.927	25.40	1.000	9	3-647016-9	
640642-8	643077-8	2	0	17.78	.700	21.01	.827	22.86	.900	8	3-647016-8	
640642-7	643077-7	0	0	15.24	.600	18.47	.727	20.32	.800	7	3-647016-7	
640642-6	643077-6	0	0	12.70	.500	15.93	.627	17.78	.700	6	3-647016-6	
640642-5	643077-5	0	0	10.16	.400	13.39	.527	15.24	.600	5	3-647016-5	
640642-4	643077-4	0	0	7.62	.300	10.85	.427	12.70	.500	4	3-647016-4	
640642-3	643077-3	0	0	5.08	.200	8.31	.327	10.16	.400	3	3-647016-3	
-	643077-2	0	0	2.54	.100	5.77	.227	7.62	.300	2	3-647016-2	
1-640642-9	1-643077-9	4	2	45.72	1.800	48.95	1.927	50.80	2.000	19	1-647016-9	
1-640642-8	1-643077-8	4	2	43.18	1.700	46.41	1.827	48.26	1.900	18	1-647016-8	
1-640642-7	1-643077-7	4	2	40.64	1.600	43.87	1.727	45.72	1.800	17	1-647016-7	
1-640642-6	1-643077-6	4	2	38.10	1.500	41.33	1.627	43.18	1.700	16	1-647016-6	
1-640642-5	1-643077-5	4	2	35.56	1.400	38.79	1.527	40.64	1.600	15	1-647016-5	
1-640642-4	1-643077-4	4	2	33.02	1.300	36.25	1.427	38.10	1.500	14	1-647016-4	
1-640642-3	1-643077-3	4	2	30.48	1.200	33.71	1.327	35.56	1.400	13	1-647016-3	
1-640642-2	1-643077-2	2	1	27.94	1.100	31.17	1.227	33.02	1.300	12	1-647016-2	
1-640642-1	1-643077-1	2	1	25.40	1.000	28.63	1.127	30.48	1.200	11	1-647016-1	
1-640642-0	1-643077-0	2	1	22.86	.900	26.09	1.027	27.94	1.100	10	1-647016-0	
640642-9	643077-9	2	1	20.32	.800	23.55	.927	25.40	1.000	9	647016-9	
640642-8	643077-8	2	0	17.78	.700	21.01	.827	22.86	.900	8	647016-8	
640642-7	643077-7	0	0	15.24	.600	18.47	.727	20.32	.800	7	647016-7	
640642-6	643077-6	0	0	12.70	.500	15.93	.627	17.78	.700	6	647016-6	
640642-5	643077-5	0	0	10.16	.400	13.39	.527	15.24	.600	5	647016-5	
640642-4	643077-4	0	0	7.62	.300	10.85	.427	12.70	.500	4	647016-4	
640642-3	643077-3	0	0	5.08	.200	8.31	.327	10.16	.400	3	647016-3	
-	643077-2	0	0	2.54	.100	5.77	.227	7.62	.300	2	647016-2	
DUST COVER	STRAIN RELIEF COVERS	QTY OF GUSSET RIBS	QTY OF CENTRAL RAILS	C		B		A				
△4	△5	△8	△5									
ACCESSORIES												

THIS DRAWING IS A CONTROLLED DOCUMENT. DIMENSIONS: mm [INCHES]. TOLERANCES UNLESS OTHERWISE SPECIFIED: 0 PLC ± .05, 1 PLC ± .05, 2 PLC ± .05, 3 PLC ± .05, 4 PLC ± .05, ANGLES ± .05.

DIN J. HUFFMAN 31MAR97  
 CJK R. SWING 31MAR97  
 APVO R. WILSON 01APR97

NAME: MTA-100 POSTED CONNECTOR ASSEMBLY, CLOSED END, 22 AWG, .000015 GOLD  
 PRODUCT SPEC: APPLICATION SPEC: SIZE: A1 CAGE CODE: 00779 DRAWING NO: 647016

WEIGHT: CUSTOMER DRAWING SCALE: 1:1 SHEET 2 OF 2 REV N

STE TE Connectivity

单击下面可查看定价，库存，交付和生命周期等信息

[>>TE Connectivity\(泰科\)](#)