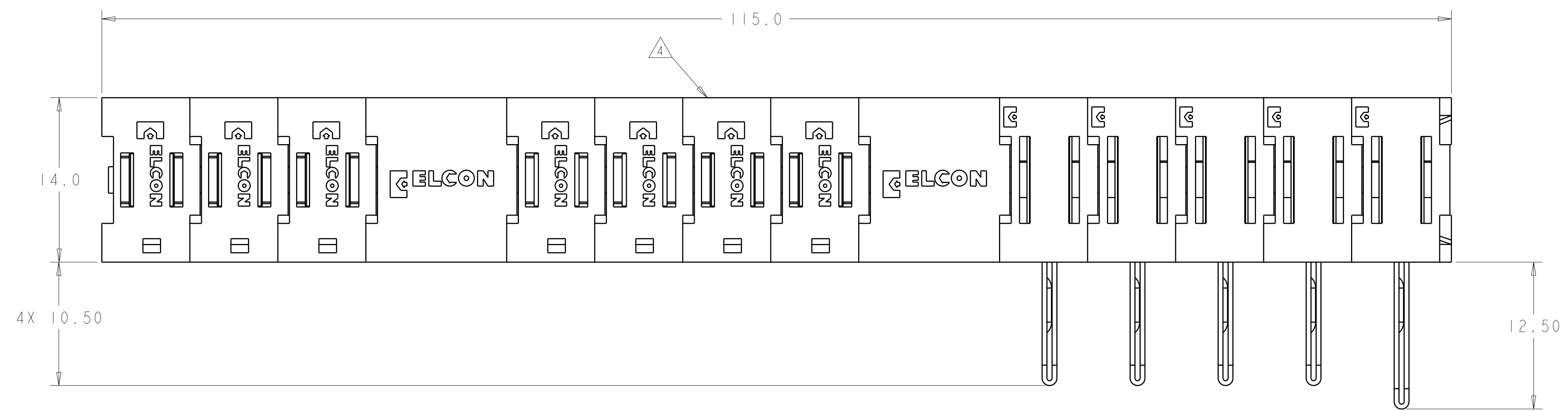
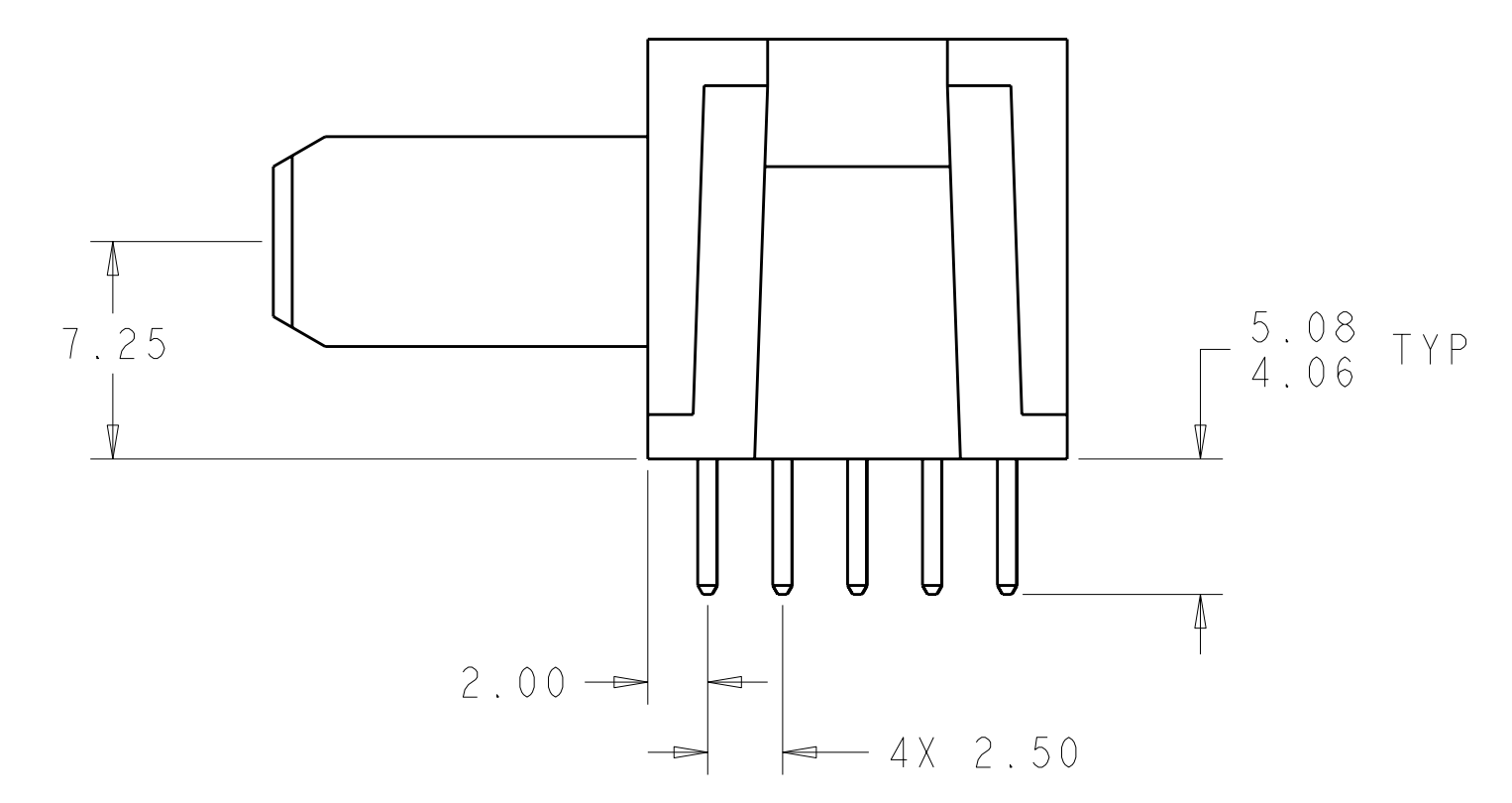
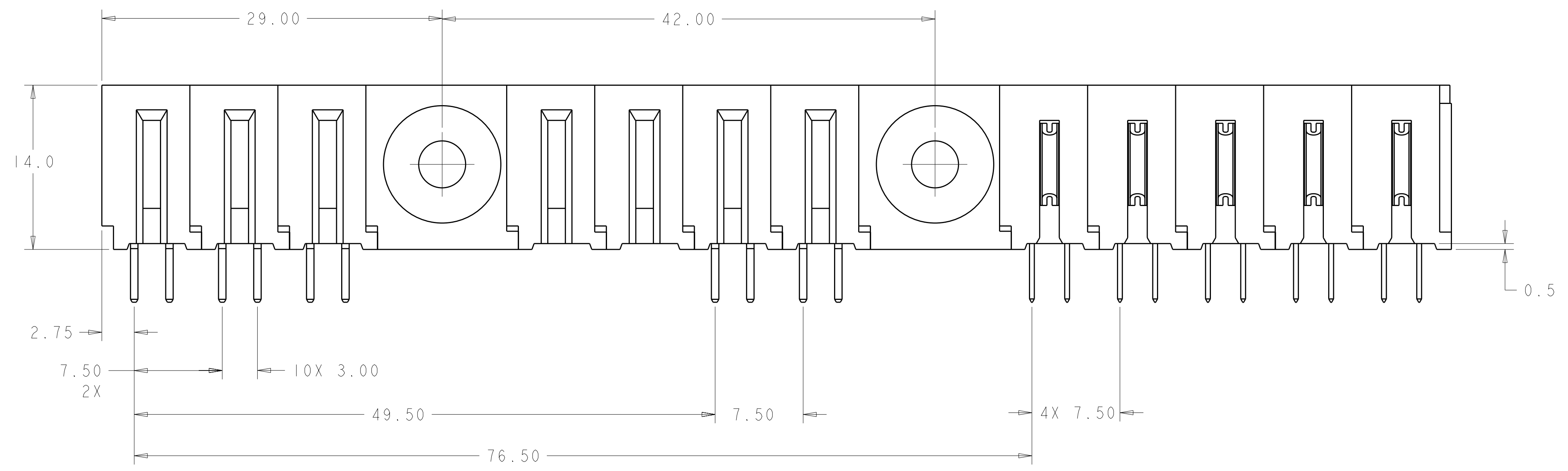


LOC	DIST	REVISIONS			
P	LTR	DESCRIPTION	DATE	DWN	APVD
A		RELEASED	16APR2008	RG	PD



- PART NUMBER CHANGES AND OR DESIGN CHANGES AFFECTING ITEM INTERCHANGEABILITY REQUIRE PRIOR TYCO ELECTRONICS APPROVAL AND AUTHORIZATION BY REVISION TO THIS DRAWING.
  - MATERIAL:
    - INSULATORS - THERMOPLASTIC, GLASS REINFORCED, COLOR: BLACK, UL94V-0 FLAMMABILITY RATED.
    - POWER CONTACTS - PHOSPHOR BRONZE ALLOY, COPPER ALLOY
    - CROWN BAND-BERYLLIUM COPPER ALLOY
  - FINISH:
    - CONTACTS - GOLD PLATE 0.76µm MIN. THK., OVER NICKEL 1.27µm MIN. THK
    - SOLDER TAILS, TIN 3.05µm MIN. THK. OVER NICKEL 1.27µ MIN THK.
- △ ITEMS PROVIDED TO THIS SPECIFICATION TO BE PERMANENTLY IDENTIFIED PER THE FOLLOWING IDENTIFIER LABEL

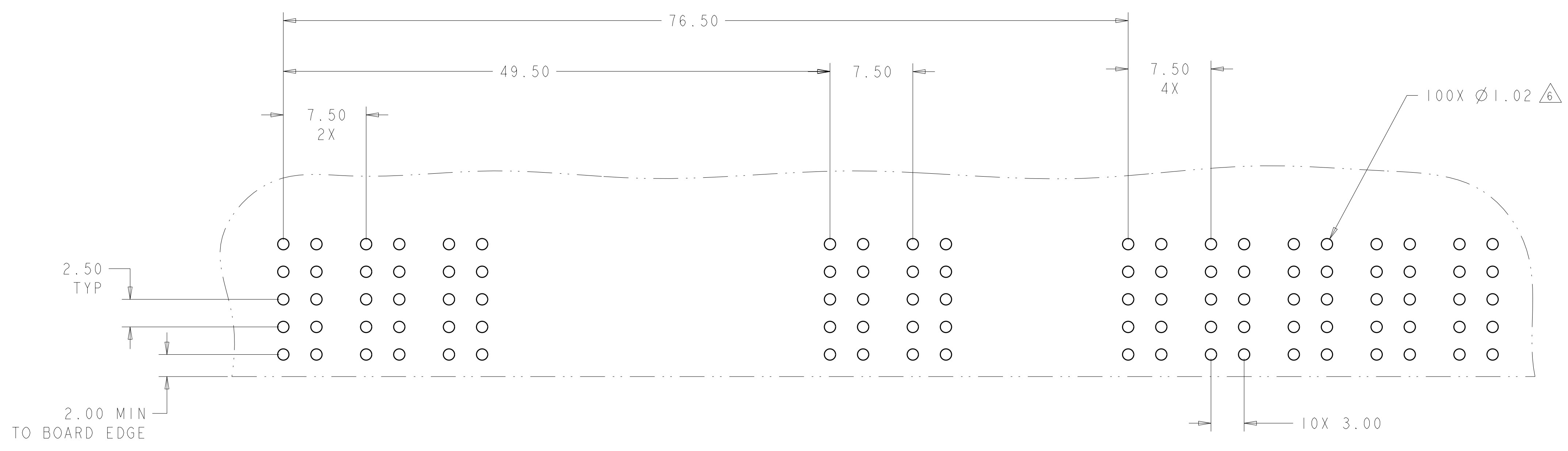
YEAR    WEEK     
 TYCO ELECTRONICS P/N      DATE CODE (e.g. 0106)  
 XXXXXXX-X      XXXX



**ELCON** **FLATPAQ**

DIMENSIONS: mm 		TOLERANCES UNLESS OTHERWISE SPECIFIED: 9 PLC ±.5 1 PLC ±.5 2 PLC ±.25 3 PLC ±.5 4 PLC ±.5 ANGLES ±.3 FINISH		DWN R. GRZYBOWSKI 03APR2008 CHK P. DAMATO 03APR2008 APVD S. FLICKINGER 03APR2008 PRODUCT SPEC APPLICATION SPEC WEIGHT CUSTOMER DRAWING		Tyco Electronics Harrisburg, PA 17105-3608 NAME PIN CONNECTOR ASSEMBLY RIGHT ANGLE SOLDER TAILS SIZE CAGE CODE DRAWING NO A100779C=1926800 RESTRICTED TO	
AS SHOWN DESCRIPTION		1926800-1 PART NUMBER		SCALE 4:1 SHEET 1 OF 3 REV A			

LOC	DIST	REVISIONS			
P	LTB	DESCRIPTION	DATE	DWN	APVD
GP	00	SEE SHEET 1	-	-	-

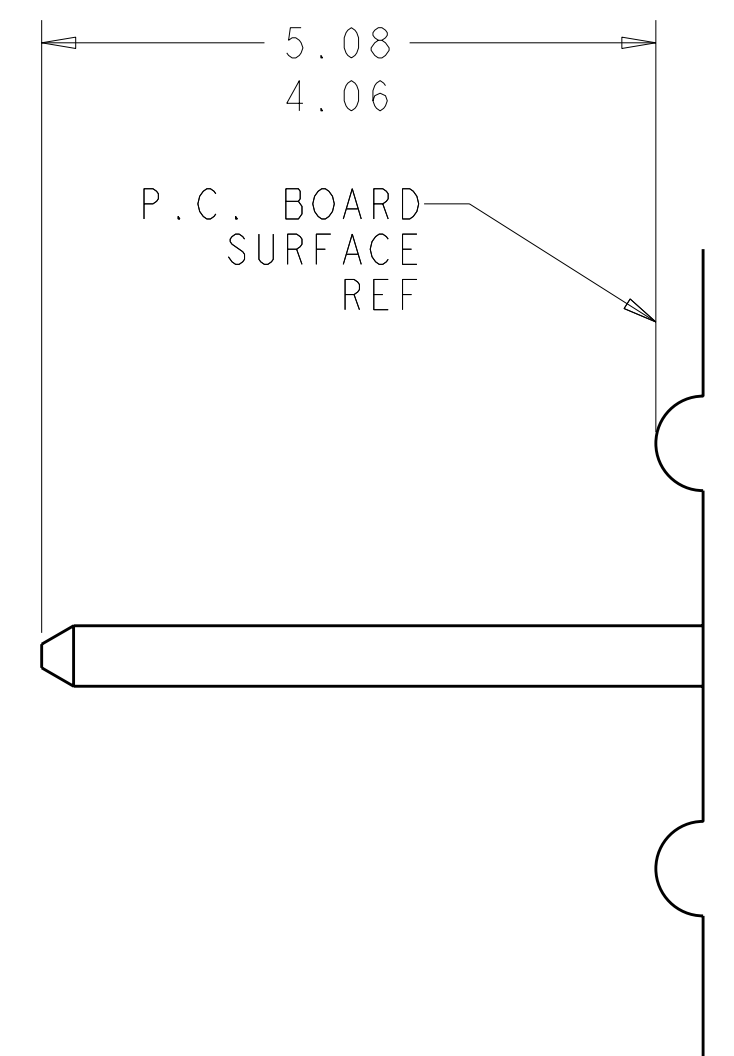


PRINTED CIRCUIT LAYOUT  
 COMPONENT SIDE

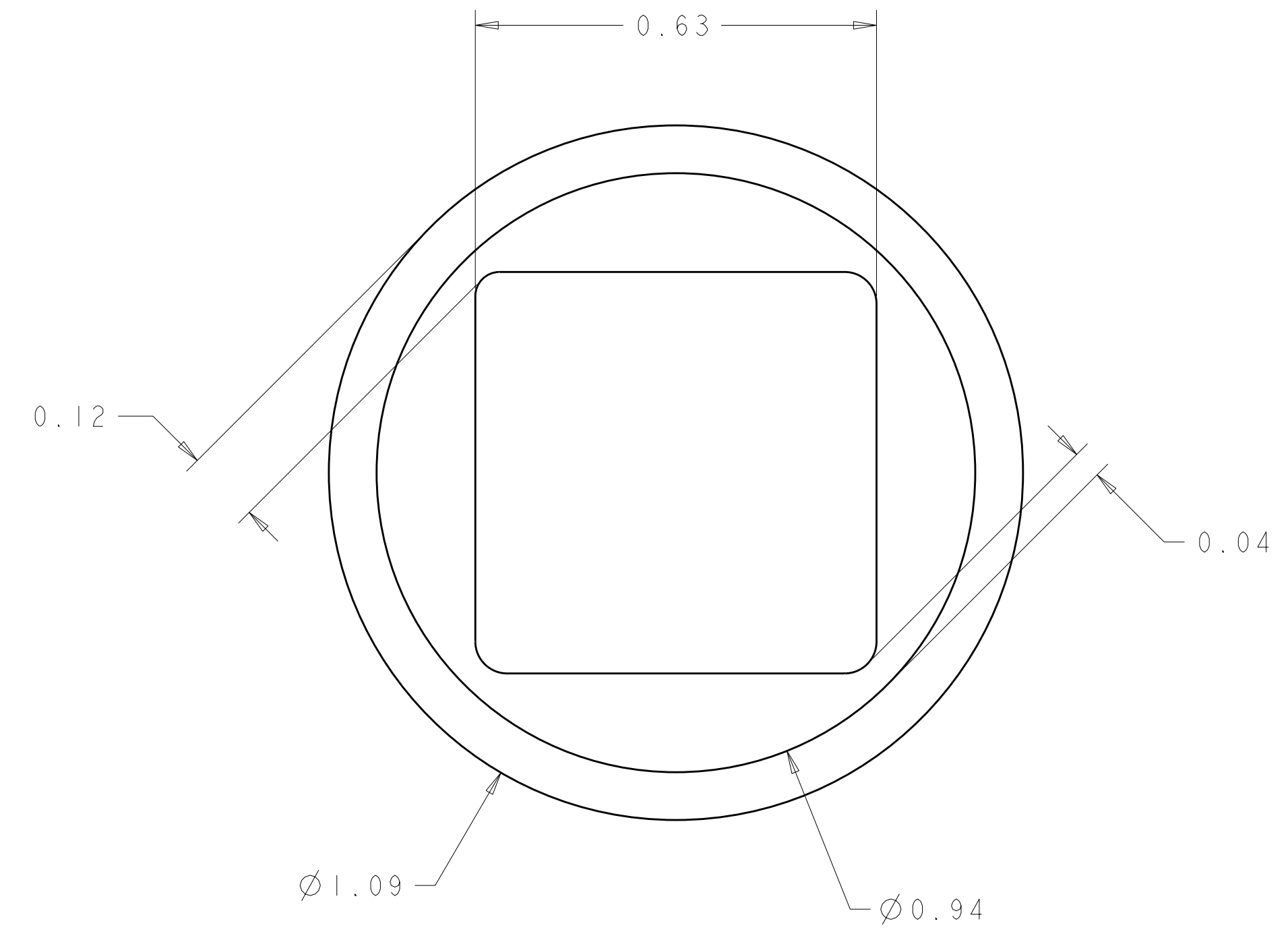
CONNECTOR	EQUIVALENT CATALOG MODULE #	MODULE QTY	CONTACT QTY	SIZE NO.	MATING PIN	MAX. CURRENT (PER CONTACT)	CONTACT SPACING	VOLTAGE RATING
PIN	FPI04	5	5	8	1.25 X 7.00 [.049 X .276]	35 amps	7.50 [.2953]	250 VOLTS
	FPI52	1	1	8	1.25 X 7.00 [.049 X .276]	35 amps	7.50 [.2953]	250 VOLTS
	FPI51	4	4	8	1.25 X 7.00 [.049 X .276]	35 amps	7.50 [.2953]	250 VOLTS
	FP512	2	-	SPACER, 250V				
	FP506	2	-	RIGHT ANGLE GUIDE SOCKET, PASSIVE				

DIMENSIONS: mm 		TOLERANCES UNLESS OTHERWISE SPECIFIED: 9 PLC ±.5 5 PLC ±.25 4 PLC ±.3 ANGLES ±.3		DWN R. GRZYBOWSKI 03APR2008 CHK P. DAMATO 03APR2008 APVD S. FLICKINGER 03APR2008		Tyco Electronics Harrisburg, PA 17105-3608	
MATERIAL: - FINISH: -		WEIGHT: - CUSTOMER DRAWING		NAME: PIN CONNECTOR ASSEMBLY RIGHT ANGLE SOLDER TAILS		SIZE: A   CAGE CODE: 100779   DRAWING NO: C=1926800	
SCALE: 4:1				SHEET: 2 OF 3		REV: A	

LOC	DIST	REVISIONS			
P	LTB	DESCRIPTION	DATE	DWN	APVD
GP	00	SEE SHEET 1	-	-	-



5. SOLDER PIN DETAIL  
 SCALE 10:1



6. SOLDER TERMINATION AREA  
 SCALE 40:1  
 RECOMMENDED PRINTED CIRCUIT SOLDER HOLE  
 FINISHED HOLE:  $\varnothing 1.02$  [ .040 ]  $\pm .08$  [ .003 ]  
 DRILLED HOLE:  $\varnothing 1.15$  [ .0453 ]  $\pm .013$  [ .0005 ]  
 COPPER PLATE: .025 [ .0010 ] MIN.  
 TIN PLATE: .008 [ .0003 ] MIN. (PER SURFACE)

DIMENSIONS: mm 		TOLERANCES UNLESS OTHERWISE SPECIFIED: 9 PLC $\pm .5$ 1 PLC $\pm .5$ 2 PLC $\pm .25$ 3 PLC $\pm .25$ 4 PLC $\pm .25$ ANGLES $\pm .3$ FINISH -		DWN R. GRZYBOWSKI 03APR2008 CHK P. DAMATO 03APR2008 APVD S. FLICKINGER 03APR2008 PRODUCT SPEC - APPLICATION SPEC - WEIGHT - CUSTOMER DRAWING		Tyco Electronics Harrisburg, PA 17105-3608 NAME PIN CONNECTOR ASSEMBLY RIGHT ANGLE SOLDER TAILS SIZE A CAGE CODE 100779 DRAWING NO C=1926800 SCALE 4:1 SHEET 3 OF 3 REV A	
-----------------------	--	--	--	--	--	---	--

单击下面可查看定价，库存，交付和生命周期等信息

[>>TE Connectivity\(泰科\)](#)