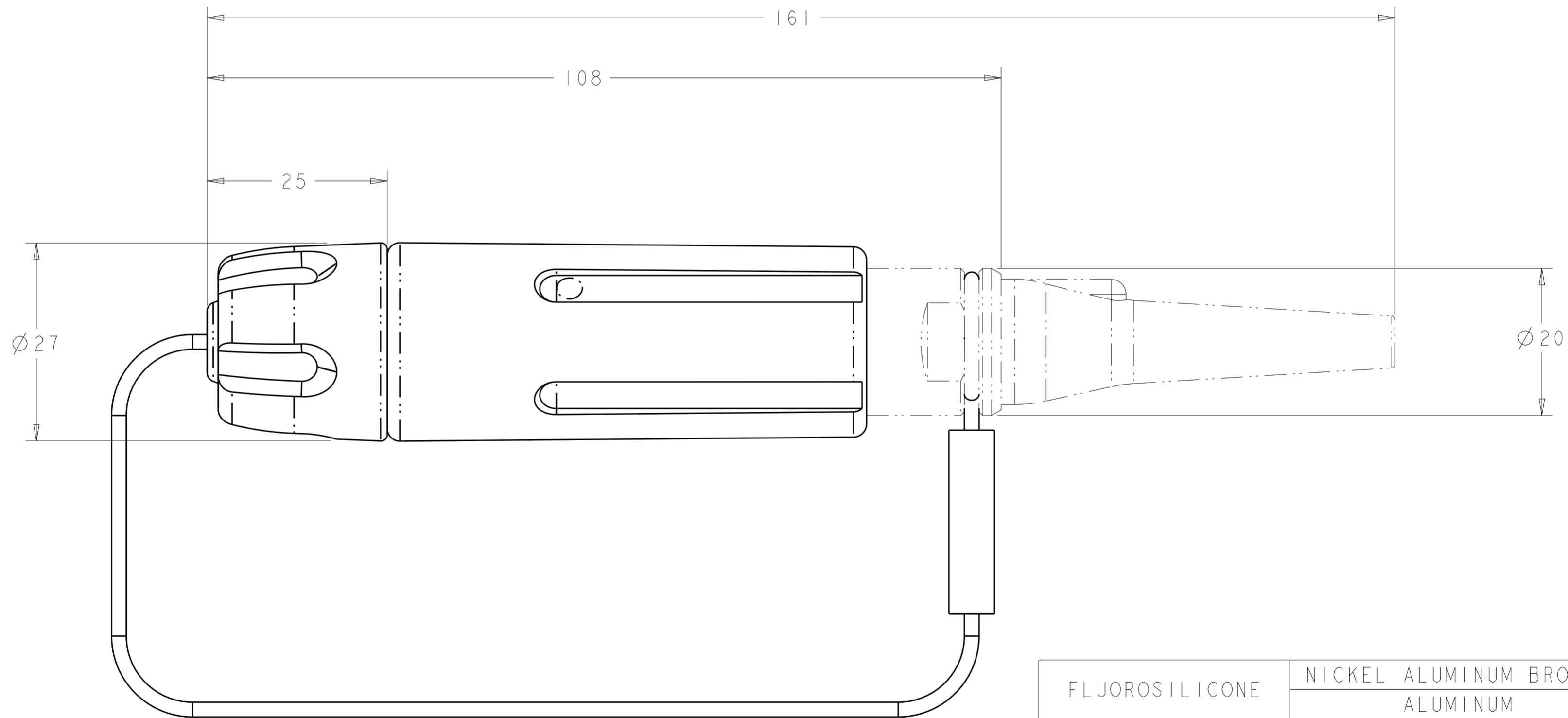


THIS DRAWING IS UNPUBLISHED. RELEASED FOR PUBLICATION 20
 © COPYRIGHT 20 BY - ALL RIGHTS RESERVED.

REVISIONS				
P	LTR	DESCRIPTION	DATE	APVD
	A1	ECR-15-000727	16JAN2015	KG DW

- ASSEMBLY SHOWN FOR REFERENCE ONLY. SHIPPED LOOSE PIECE AS SHOWN ON PAGE 2.
- ALL ASSEMBLY DIMENSIONS ARE FOR REFERENCE ONLY.
- THIS PRODUCT HAS NOT COMPLETED VALIDATION TESTING.
- COMPLETE THE CONNECTOR ASSEMBLY BY ADDING EACH OF THE FOLLOWING PRO BEAM JR KITS:
 - EXPANDED BEAM INSERT ASSEMBLY KIT
 - CABLE ADAPTER KIT, SIZED TO THE CABLE JACKET DIAMETER
 - FERRULE KIT, ONE PER FIBER



VIEW SHOWN WITH
 CABLE ADAPTER KIT INSTALLED
 AS PHANTOM LINES FOR VISUAL
 AND DIMENSIONAL PURPOSES ONLY

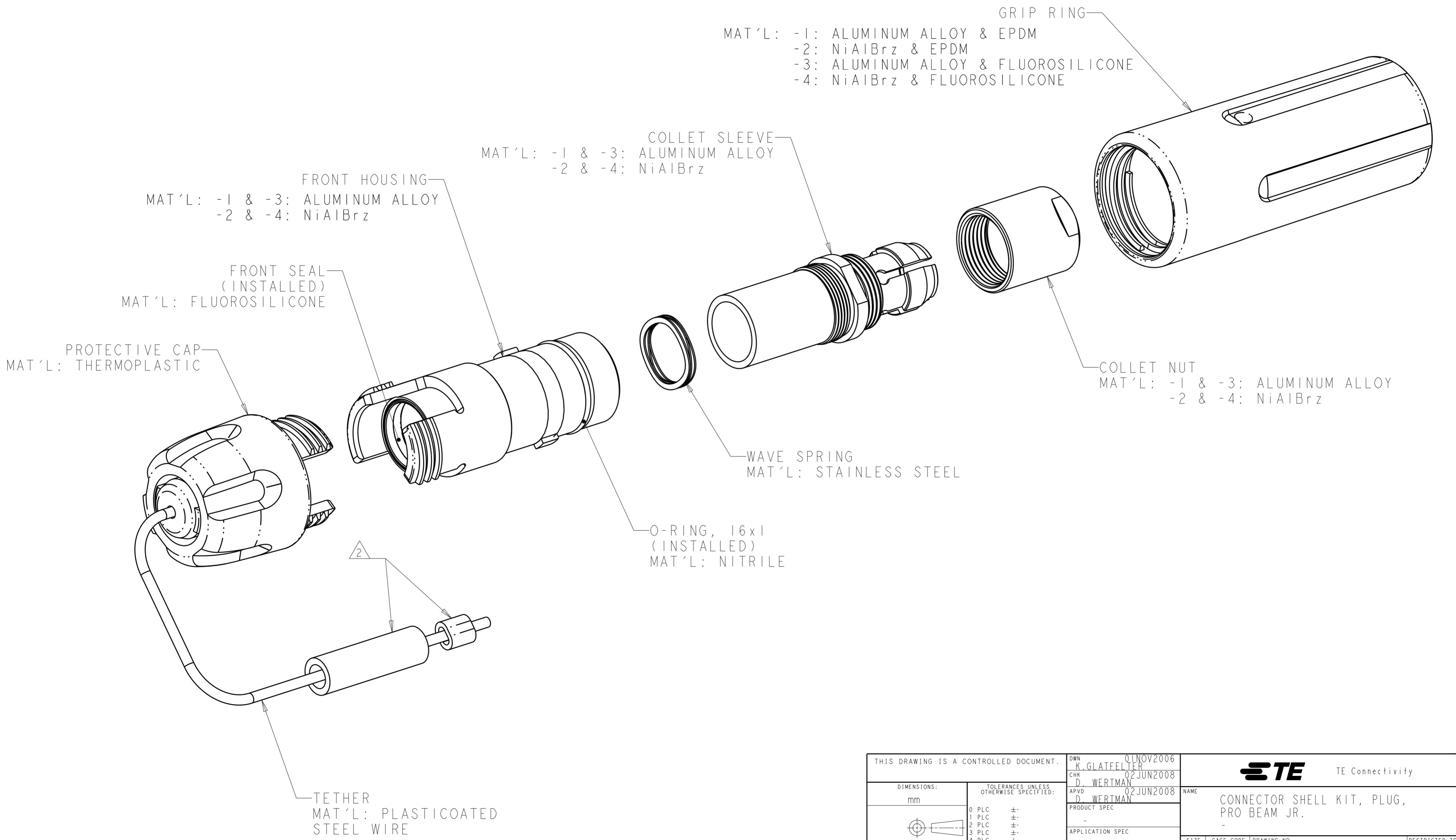
FLUROSILICONE	NICKEL ALUMINUM BRONZE	1918937-4
	ALUMINUM	1918937-3
EPDM	NICKEL ALUMINUM BRONZE	1918937-2
	ALUMINUM	1918937-1
RUBBER GRIP MATERIAL	HOUSING ALLOY	PART NUMBER

THIS DRAWING IS A CONTROLLED DOCUMENT.		DWN K. GLATFELTER 01NOV2006	STE TE Connectivity	
		CHK D. WERTMAN 02JUN2008		
		APVD D. WERTMAN 02JUN2008	NAME CONNECTOR SHELL KIT, PLUG, PRO BEAM JR.	
DIMENSIONS: mm		PRODUCT SPEC -	SIZE A200779	CAGE CODE C-1918937
TOLERANCES UNLESS OTHERWISE SPECIFIED: 0 PLC ± 1 PLC ± 2 PLC ± 3 PLC ± 4 PLC ± ANGLES ± FINISH		APPLICATION SPEC -	RESTRICTED TO -	
MATERIAL - -		WEIGHT -	SCALE 2:1	SHEET 1 OF 2
		Customer Drawing	REV A1	

THIS DRAWING IS UNPUBLISHED. RELEASED FOR PUBLICATION 20
 © COPYRIGHT 20 BY - ALL RIGHTS RESERVED.

REVISIONS				
P	LTR	DESCRIPTION	DATE	APVD
-	-	SEE SHEET 1	-	-

1. SHIPPED LOOSE PIECE AS SHOWN.
 2. TETHER ATTACHING LOOP TO BE COMPLETED ONTO CONNECTOR DURING TERMINATION ASSEMBLY.



MAT'L: -1: ALUMINUM ALLOY & EPDM
 -2: NiAlBrz & EPDM
 -3: ALUMINUM ALLOY & FLUOROSILICONE
 -4: NiAlBrz & FLUOROSILICONE

MAT'L: -1 & -3: ALUMINUM ALLOY
 -2 & -4: NiAlBrz

FRONT HOUSING
 MAT'L: -1 & -3: ALUMINUM ALLOY
 -2 & -4: NiAlBrz

FRONT SEAL (INSTALLED)
 MAT'L: FLUOROSILICONE

PROTECTIVE CAP
 MAT'L: THERMOPLASTIC

O-RING, 16x1 (INSTALLED)
 MAT'L: NITRILE

WAVE SPRING
 MAT'L: STAINLESS STEEL

COLLET NUT
 MAT'L: -1 & -3: ALUMINUM ALLOY
 -2 & -4: NiAlBrz

TETHER
 MAT'L: PLASTICOATED STEEL WIRE

THIS DRAWING IS A CONTROLLED DOCUMENT.		DWN K. GLATFELTER 01NOV2006	TE Connectivity															
DIMENSIONS: mm		CHK D. WERTMAN 02JUN2008																
TOLERANCES UNLESS OTHERWISE SPECIFIED:		APVD D. WERTMAN 02JUN2008	NAME CONNECTOR SHELL KIT, PLUG, PRO BEAM JR.															
<table border="1"> <tr><td>0 PLC</td><td>±</td></tr> <tr><td>1 PLC</td><td>±</td></tr> <tr><td>2 PLC</td><td>±</td></tr> <tr><td>3 PLC</td><td>±</td></tr> <tr><td>4 PLC</td><td>±</td></tr> <tr><td>ANGLES</td><td>±</td></tr> <tr><td>FINISH</td><td>±</td></tr> </table>		0 PLC	±	1 PLC	±	2 PLC	±	3 PLC	±	4 PLC	±	ANGLES	±	FINISH	±	PRODUCT SPEC	SIZE A200779	
0 PLC	±																	
1 PLC	±																	
2 PLC	±																	
3 PLC	±																	
4 PLC	±																	
ANGLES	±																	
FINISH	±																	
MATERIAL		APPLICATION SPEC	CAGE CODE C-1918937	RESTRICTED TO														
HARD ANODIZE (AL ONLY)		WEIGHT	SCALE 1:1	SHEET 2 OF 2														
Customer Drawing		REV A1																

单击下面可查看定价，库存，交付和生命周期等信息

[>>TE Connectivity\(泰科\)](#)