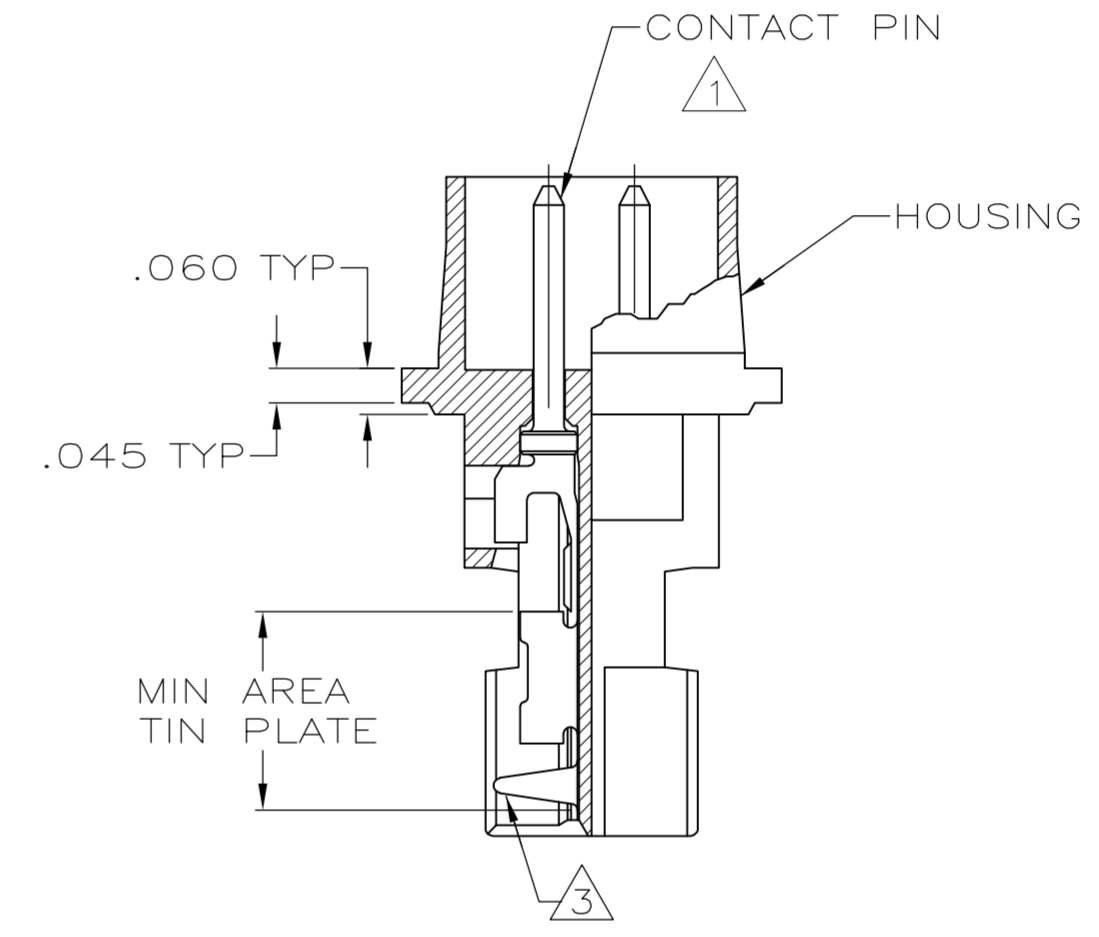
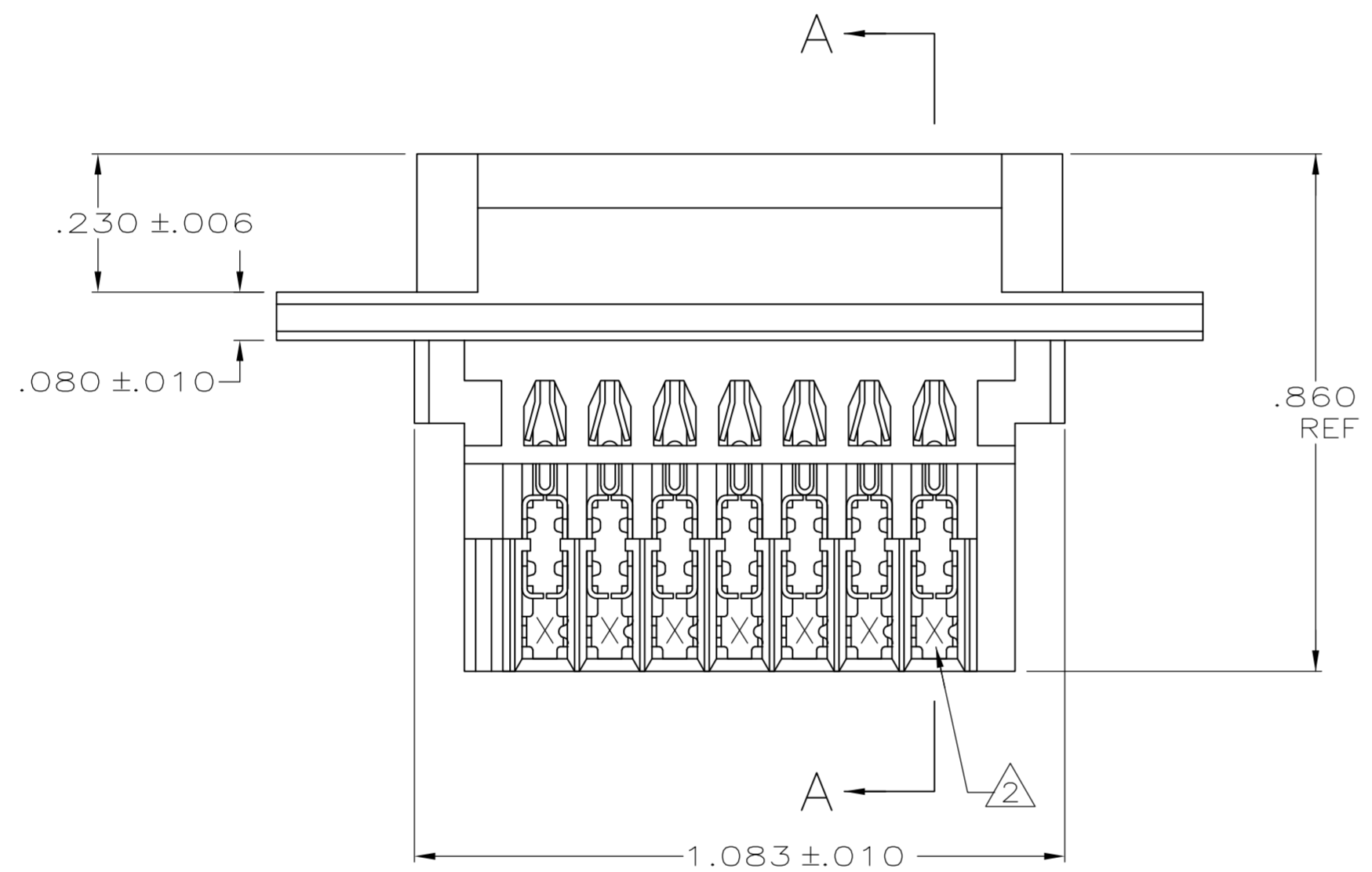
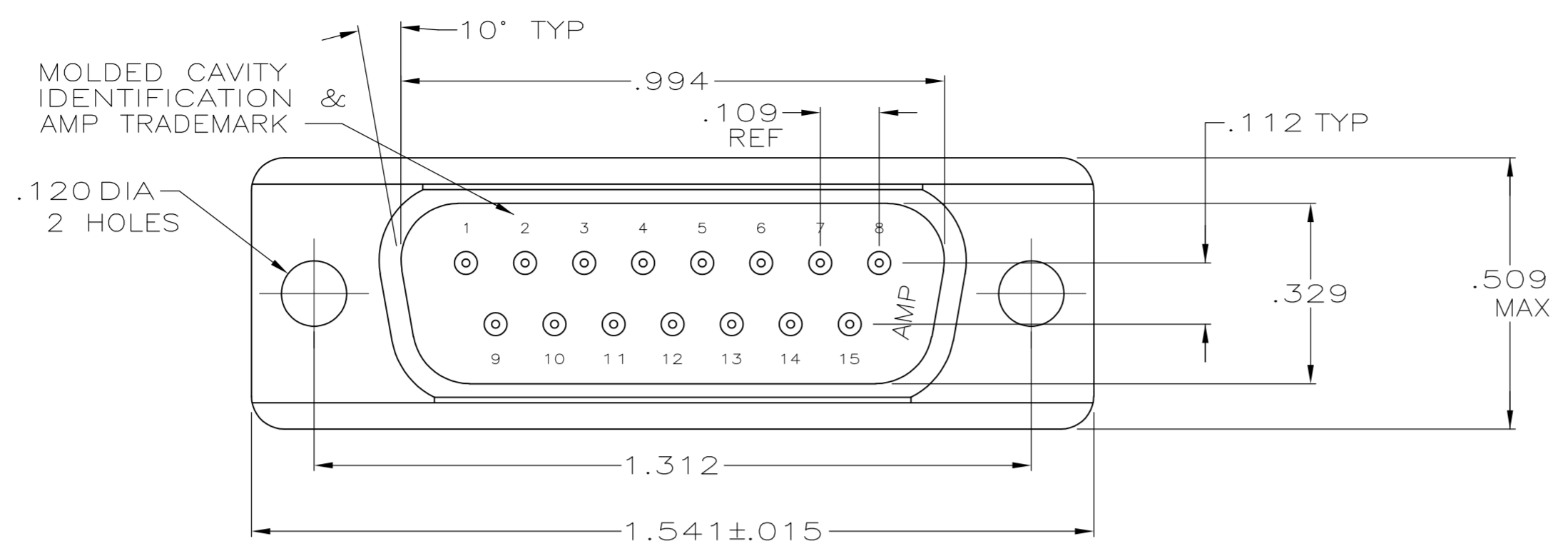


THIS DRAWING IS UNPUBLISHED. RELEASED FOR PUBLICATION  
 © COPYRIGHT BY TYCO ELECTRONICS CORPORATION. ALL RIGHTS RESERVED.

LOC	DIST	REVISIONS			
P	LTR	DESCRIPTION	DATE	DWN	APVD
GP	00	N	REVISED PER ECO-08-008114	30JUN2008	ZMRCWR



SECTION A-A

- ① HOUSING FULLY LOADED WITH CONTACTS.
- ② NUMBER ON CONTACT INDICATES WIRE RANGE.
- ③ CONTACT INSULATION RANGE: .060 MAXIMUM O.D.
- ④ CONTACTS PLATED GOLD PLATED FOR LENGTH OF .150 MIN FROM MATING END, .000030 MIN GOLD IN MATED AREA. .000100-.000200 BRIGHT TIN OR BRIGHT TIN-LEAD IN AREA SHOWN. .000050 NICKEL UNDERPLATE ON ENTIRE CONTACT.
- ⑤ CONTACTS PLATED GOLD PLATED FOR LENGTH OF .150 MIN FROM MATING END, GOLD FLASH IN MATED AREA. .000100-.000200 BRIGHT TIN OR BRIGHT IN TIN-LEAD AREA SHOWN. .000030 NICKEL UNDERPLATE ON ENTIRE CONTACT.
- ⑥ CONTACTS GOLD PLATED FOR A LENGTH OF .150 MIN FROM MATING END, .000030 MIN GOLD IN MATED AREA, .000100-.000200 MATTE TIN IN AREA SHOWN, ALL OVER .000050 MIN NICKEL UNDERPLATE ON ENTIRE CONTACT.  
OR  
CONTACTS GOLD PLATED FOR A LENGTH OF .150 MIN FROM MATING END, GOLD FLASH OVER PALLADIUM-NICKEL, .000030 MIN TOTAL IN MATED AREA, .000100-.000200 MATTE TIN IN AREA SHOWN, ALL OVER .000050 MIN NICKEL UNDERPLATE ON ENTIRE CONTACT.
- ⑦ HOUSING: 94V-0 RATED THERMOPLASTIC, BLACK.

FINISH	②	AWG WIRE RANGE	PART NUMBER
⑥	2	#22-26	745207-7
⑥	3	#20-22	745207-6
⑤	2	#22-26	745207-5
⑤	1	#26-30	745207-4
④	3	#20-22	745207-3
④	2	#22-26	745207-2
④	1	#26-30	745207-1

THIS DRAWING IS A CONTROLLED DOCUMENT.

DWN J GALLUCCI BG 4-6-90	Tyco Electronics Corporation Harrisburg, PA 17105-3608
CHK W.LENKER 6-21-90	
APVD -	NAME
PRODUCT SPEC 108-40011	PLUG ASSEMBLY, SIZE 2, 15 POSITION, AMPLIMITE
APPLICATION SPEC 114-40002	SIZE CAGE CODE DRAWING NO RESTRICTED TO
MATERIAL FINISH SEE TABLE	A2 00779 C=745207
CUSTOMER DRAWING	SCALE 4:1 SHEET 1 of 1 REV N

单击下面可查看定价，库存，交付和生命周期等信息

[>>TE Connectivity\(泰科\)](#)

[>>点击查看相关商品](#)