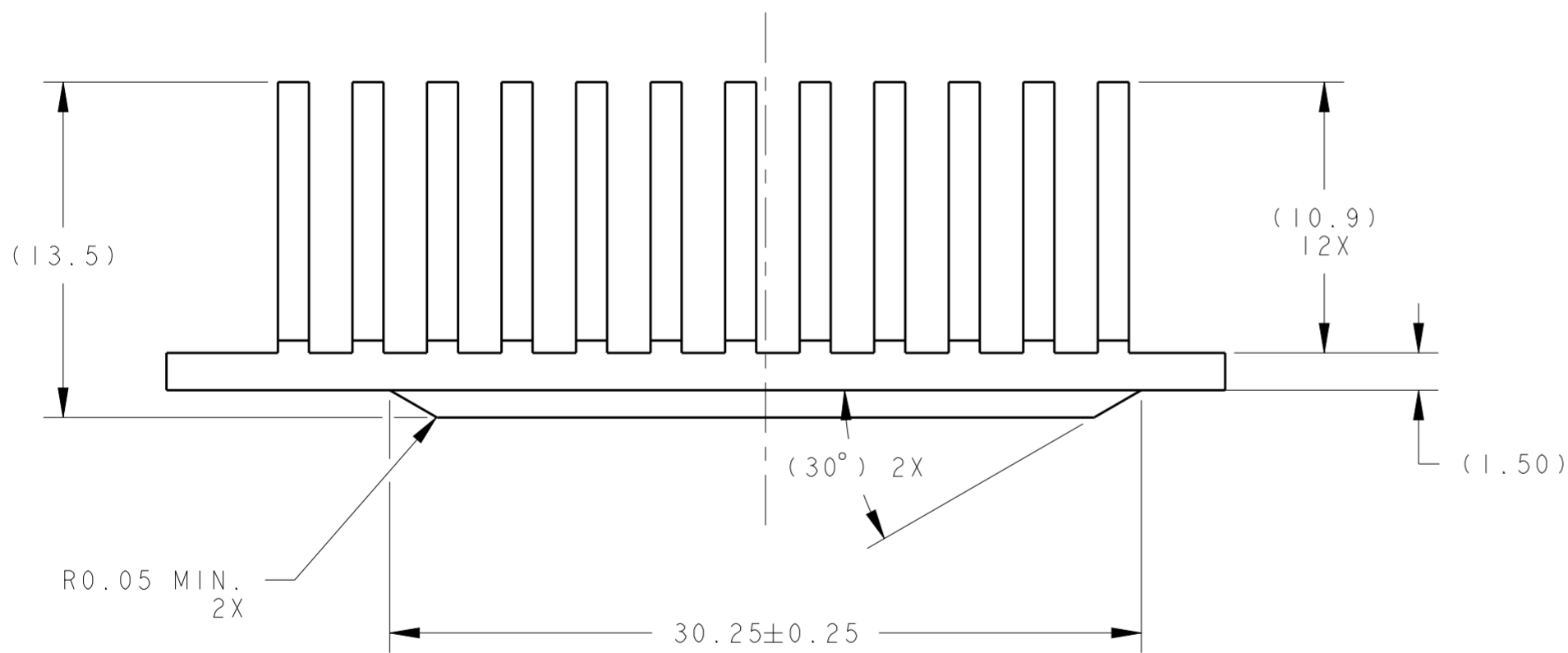
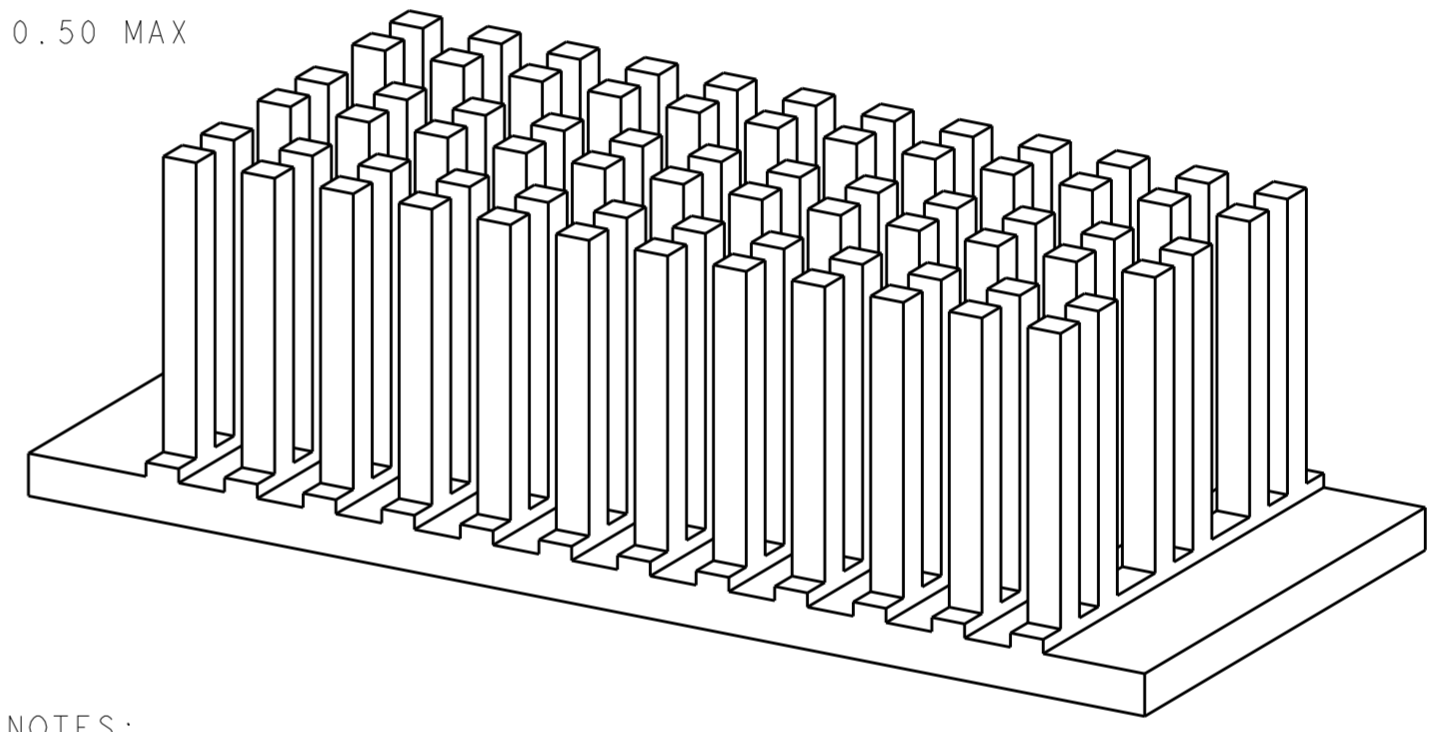
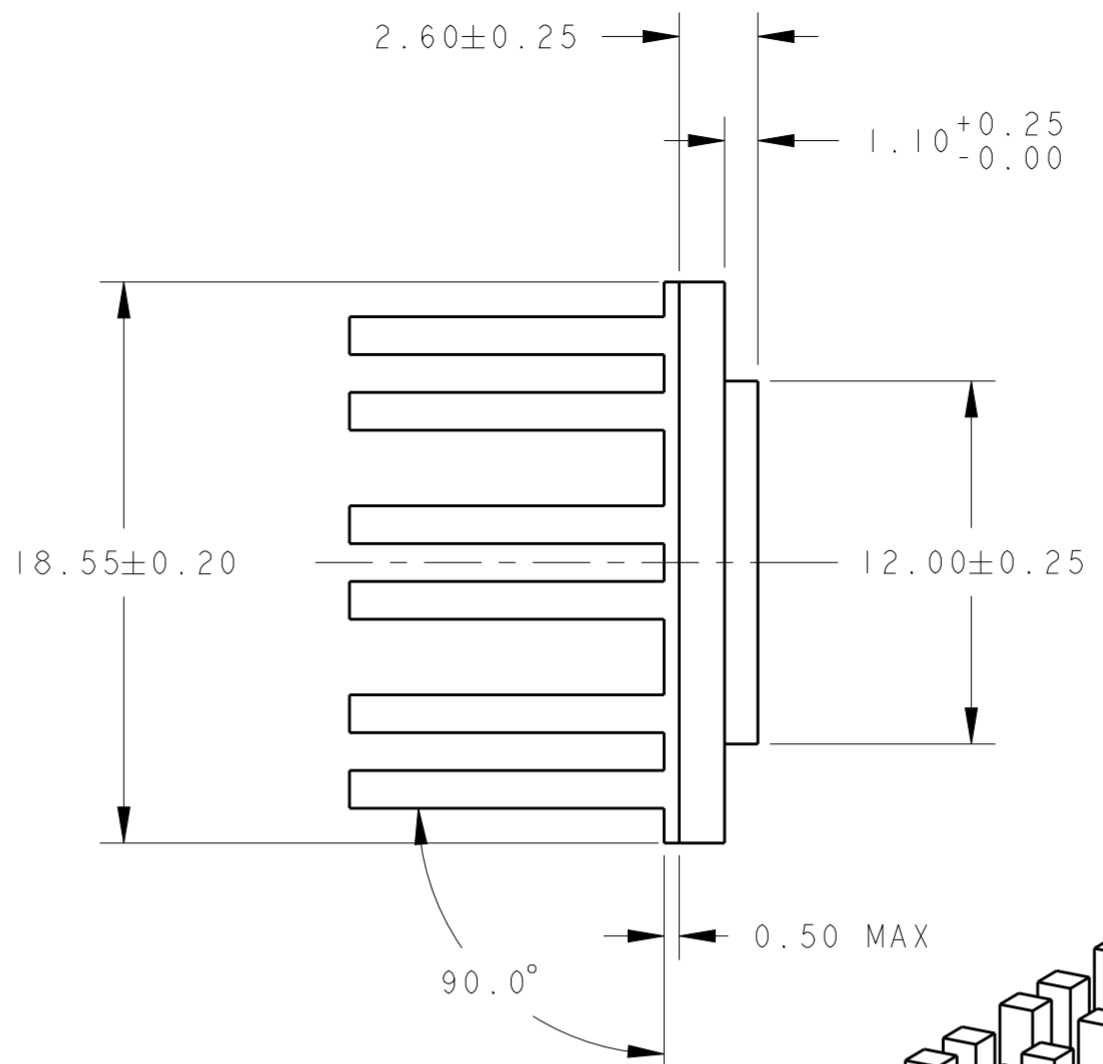
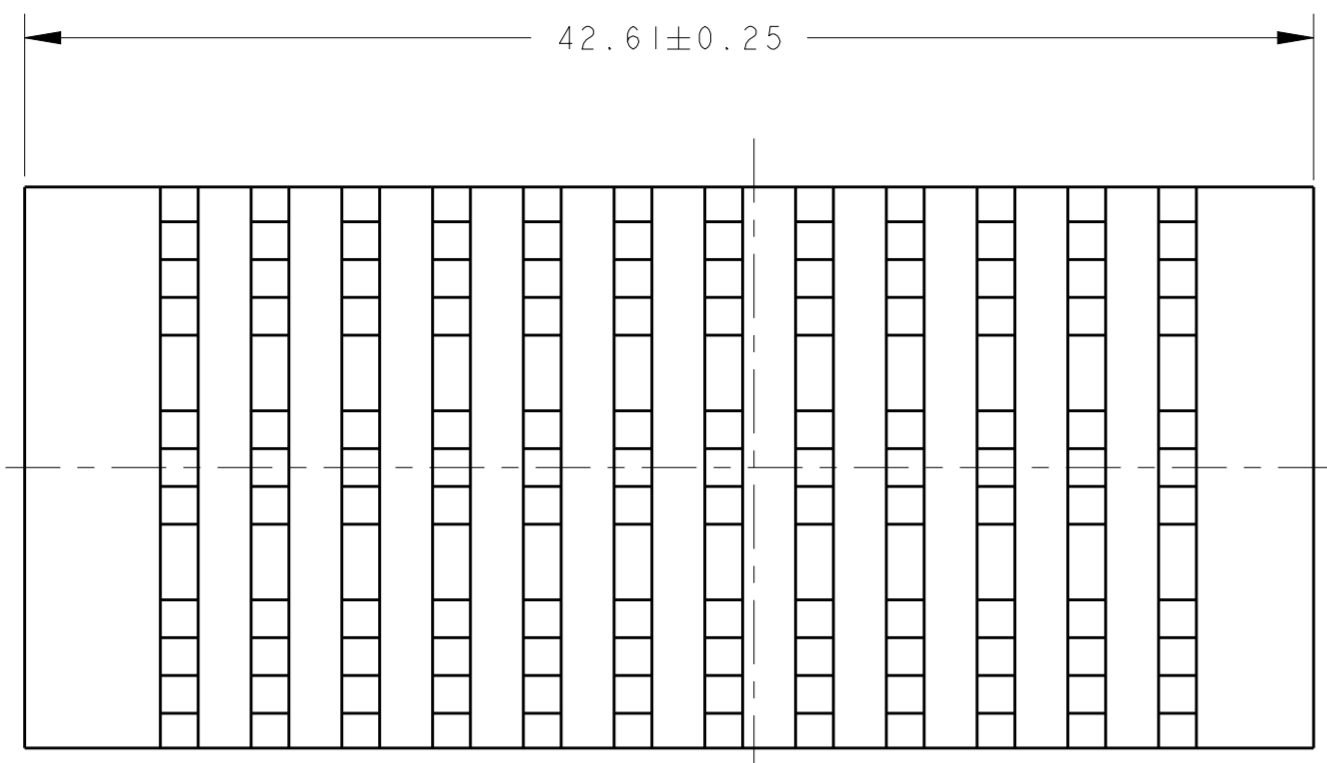


THIS DRAWING IS UNPUBLISHED. RELEASED FOR PUBLICATION 20
 © COPYRIGHT 20 BY - ALL RIGHTS RESERVED.

LOC	DIST	REVISIONS					
AD	00	P	LTR	DESCRIPTION	DATE	DWN	APVD
		A1		REVISED PER ECO-10-001873	19FEB2010	DH	JE
		B		REVISED PER ECO-12-005533	23MAR2012	JY	AC
		C		REVISED PER ECO-13-001969	31MAY2013	RG	AC



NOTES:

- UNLESS OTHERWISE SPECIFIED
- 1. INTERPRET DRAWING PER ASME Y14.5M - 1994.
- 2. 0,2mm MAX BURR.
- 3. VARIATION IN PLATING COLOR IS NORMAL AND ALLOWED.
- 4. RoHS COMPLIANT AND CERTIFIED.

BLACK ANODIZED	ALUMIMUM	1963840-4
NICKEL PLATED	ALUMIMUM	1963840-2
FINISH	MATERIAL	PART NUMBER

THIS DRAWING IS A CONTROLLED DOCUMENT.

DWN E. TAO 6-17-08	TE Connectivity
CHK B. PETROCELLI 6-23-08	
APVD -	NAME
PRODUCT SPEC -	GANGED QFSP LAN EXTRUSION HEATSINK 13.5mm TALL
APPLICATION SPEC -	SIZE CAGE CODE DRAWING NO
WEIGHT -	A20779 C-1963840
MATERIAL SEE TABLE	CUSTOMER DRAWING
TOLERANCES UNLESS OTHERWISE SPECIFIED:	SCALE 4:1 SHEET 1 OF 1 REV C
0 PLC ±-	
1 PLC ±0.5	
2 PLC ±0.25	
3 PLC ±-	
4 PLC ±-	
ANGLES ±8°	
FINISH	

单击下面可查看定价，库存，交付和生命周期等信息

[>>TE Connectivity\(泰科\)](#)