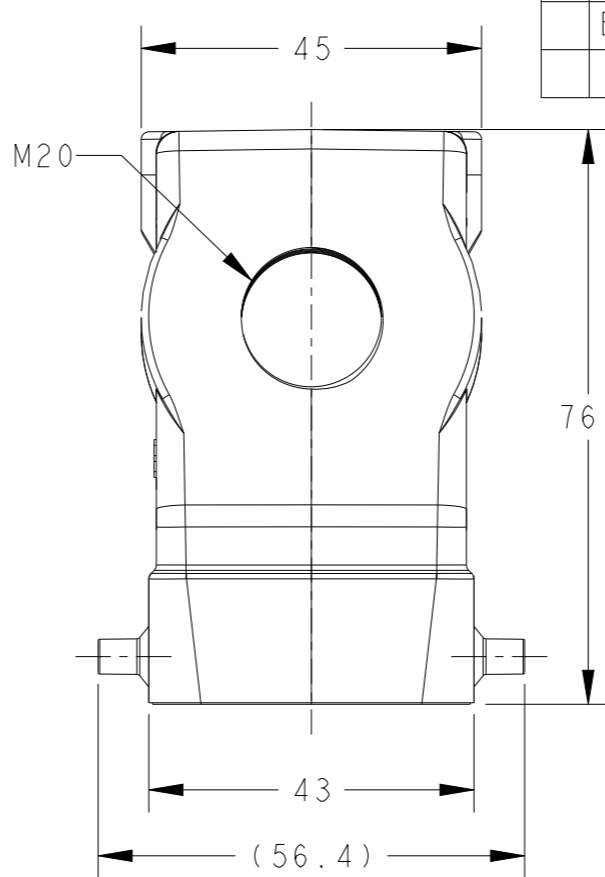
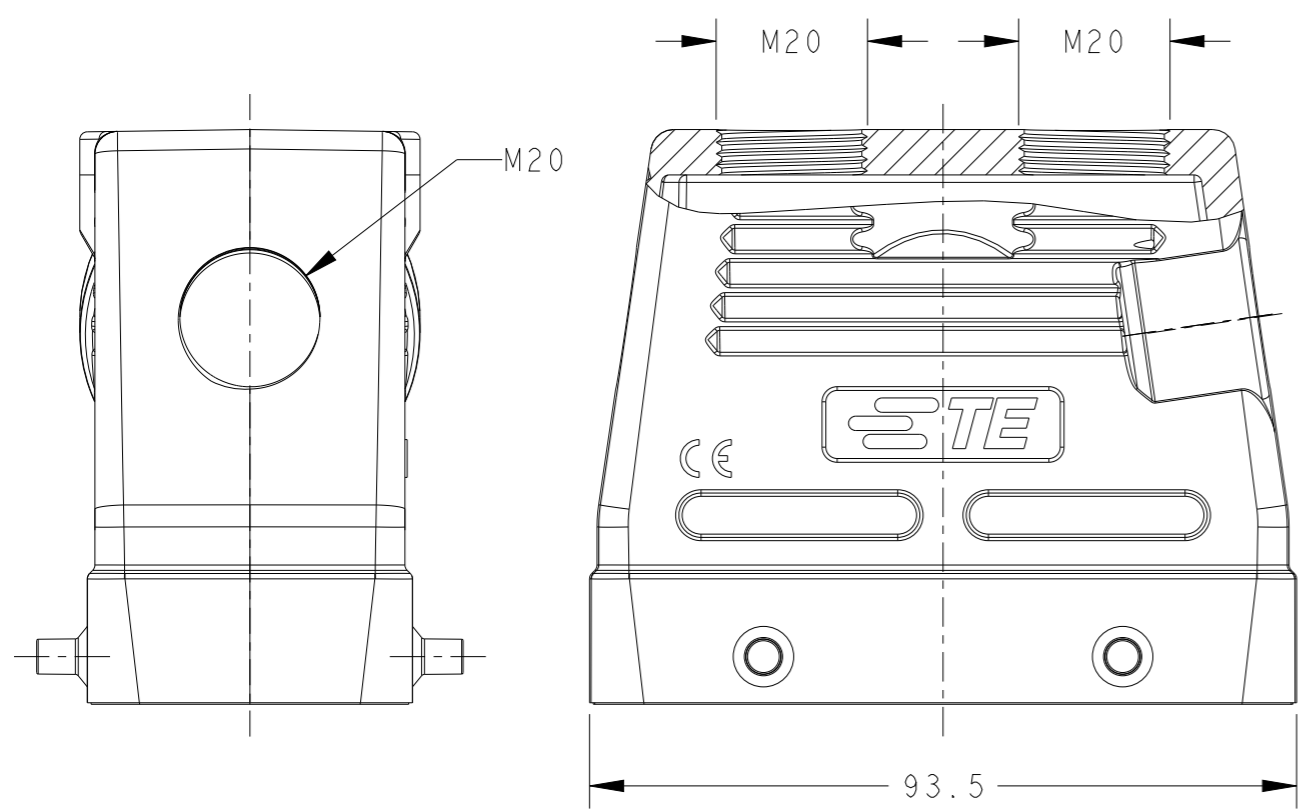
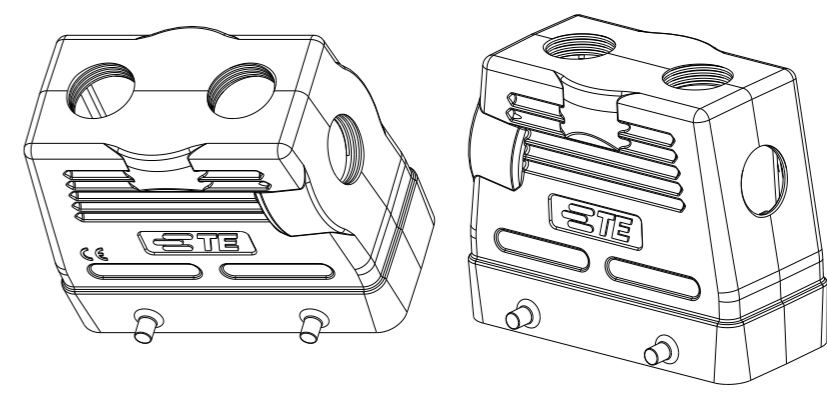
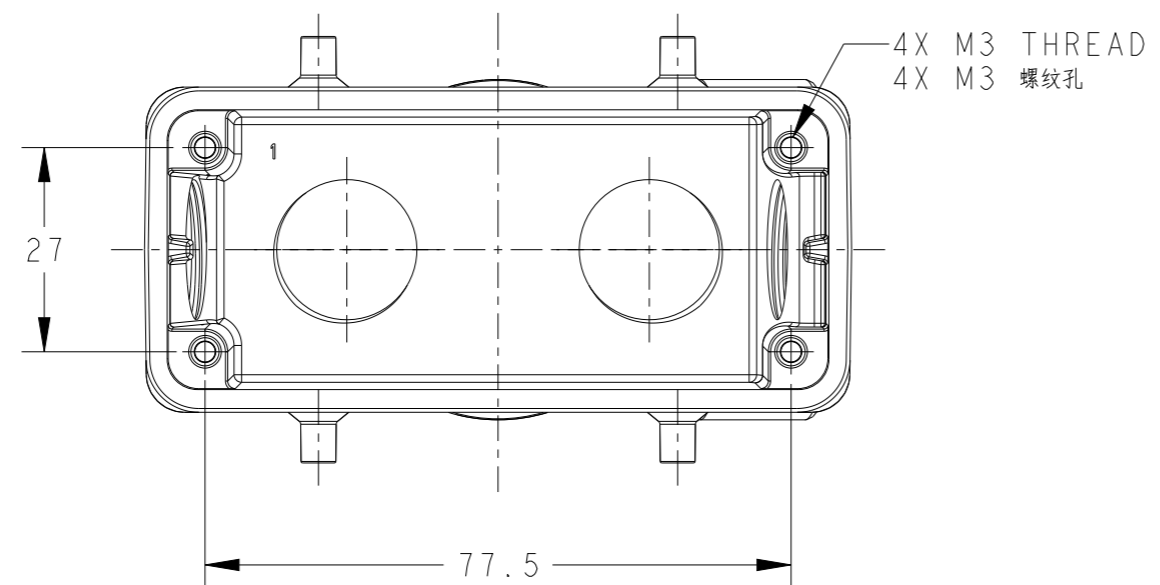


P	LTR	DESCRIPTION	DATE	DWN	APVD
	A	INITIAL	25MAY2015	DW	CW
	B	ECR-20-008190	31JUL2020	WQR	CW
	B1	ECR-21-105138	23JUN2021	WQR	CW



NOTES:
 1. TECHNICAL CHARACTERISTICS:
 HOOD MATERIAL: DIE CAST ALUMINIUM ALLOY
 SURFACE: POWDER COATED, GREY
 DEGREE OF PROTECTION: IP65 (MATED)

注释:
 1. 技术参数:
 上壳材料: 铝合金
 表面处理: 粉末涂层, 灰色
 防护等级: IP65(配合)



T1190162020-000	H16B-TGH/TSH-2M20/2M20	HIGH CONSTRUCTION
PART NUMBER	DESCRIPTION	TYPE

THIS DRAWING IS A CONTROLLED DOCUMENT.

DIMENSIONS: mm	TOLERANCES UNLESS OTHERWISE SPECIFIED:
	0 PLC ±-
	1 PLC ±-
	2 PLC ±-
	3 PLC ±-
	4 PLC ±-
	ANGLES ±-
MATERIAL	FINISH
-	-
-	-

DWN	25MAY2015
David Wang	
CHK	25MAY2015
Chris Wang	
APVD	25MAY2015
Xiang Xu	
PRODUCT SPEC	108-137013
APPLICATION SPEC	114-137013
WEIGHT	-
Customer Drawing	

		TE Connectivity	
		NAME H16B-TGH/TSH-2M20/2M20	
SIZE	CAGE CODE	DRAWING NO	RESTRICTED TO
A3	00779	©-T1190162020000	-
SCALE		SHEET	REV
1:1		1 OF 1	B1

单击下面可查看定价，库存，交付和生命周期等信息

[>>TE Connectivity\(泰科\)](#)