

THIS DRAWING IS UNPUBLISHED.

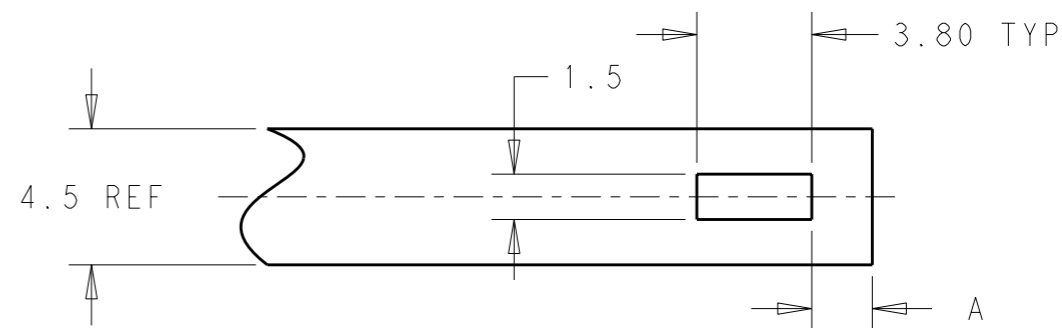
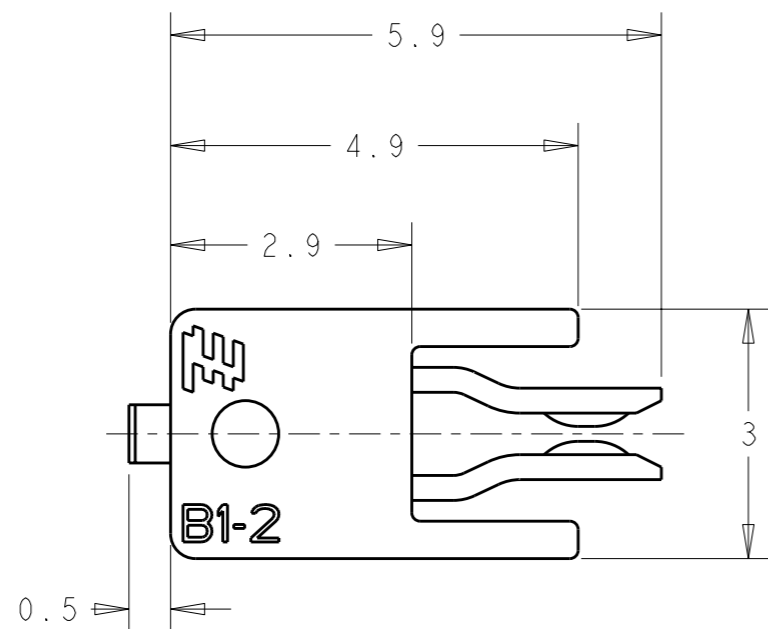
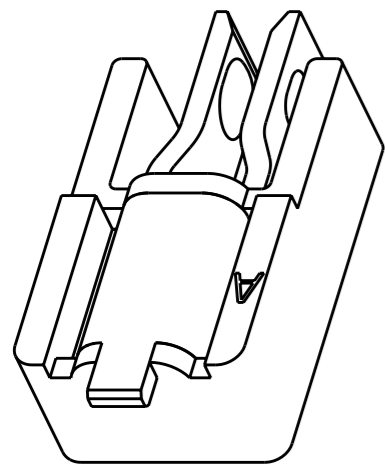
RELEASED FOR PUBLICATION

20

© COPYRIGHT 20

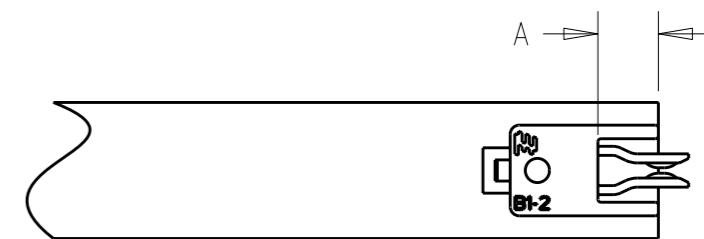
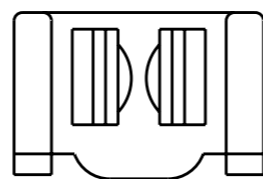
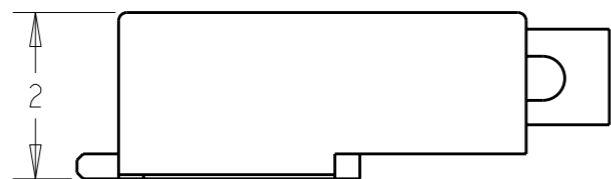
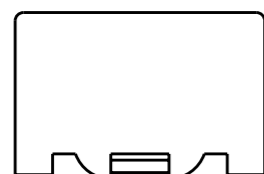
BY TYCO ELECTRONICS CORPORATION. ALL INTERNATIONAL RIGHTS RESERVED.

LOC	DIST	REVISIONS				
P	LTR	DESCRIPTION	DATE	DWN	APVD	
ES	0	A	RELEASE DRAWING	19APR2011	G.C	X.X



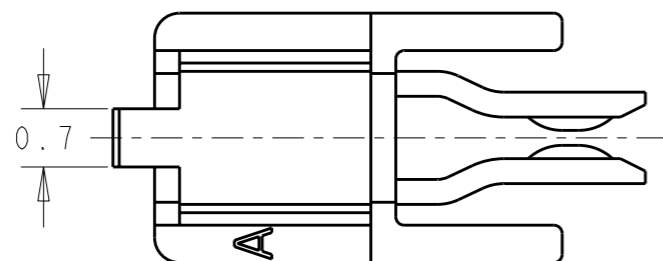
(TYPE A=2.00 HORIZONTALLY MATED ONLY)  
 (TYPE A=0.80 CAN BE BOTH VERTICALLY AND HORIZONTALLY MATED)  
 RECOMMENDED PCB LAYOUT FOR 1971743-1

SCALE 4:1



(TYPE A=2.00 HORIZONTALLY MATED ONLY)  
 (TYPE A=0.80 CAN BE BOTH VERTICALLY AND HORIZONTALLY MATED)  
 RECOMMENDED PCB LAYOUT FOR 1971743-1

SCALE 4:1



NOTES:  
 1. PACKAGED IN TAPE AND REEL PER IEA-481 SPECIFICATIONS.  
 2. MATERIAL AND FINISH:  
 -HOUSING: THERMAL PLASTIC  
 -SOCKET CONTACT: COPPER ALLOY  
 -FINISH: TIN OVER NICKEL.

<small>THIS DRAWING IS A CONTROLLED DOCUMENT FOR TYCO ELECTRONICS CORPORATION          IT IS SUBJECT TO CHANGE AND THE CONTROLLING ENGINEERING ORGANIZATION          SHOULD BE CONTACTED FOR THE LATEST REVISION.</small>		DWN 19-Apr-11 GU CINDY		Tyco Electronics Corporation Shanghai China	
DIMENSIONS: mm		TOLERANCES UNLESS OTHERWISE SPECIFIED: 0 PLC ±- 1 PLC ±0.5 2 PLC ±0.13 3 PLC ±0.013 4 PLC ±0.0001 ANGLES ±1		CHK 19-Apr-11 TAO TRACY	
		APVD 19-Apr-11 XU XIANG		NAME 1P FEMALE CONNECTOR FOR B-B	
MATERIAL -		FINISH -		PRODUCT SPEC 108-106050	
WEIGHT -		APPLICATION SPEC 114-106074		SIZE A3	
CUSTOMER DRAWING		SCALE 3:1		SHEET 1 OF 1 REV A	

单击下面可查看定价，库存，交付和生命周期等信息

[>>TE Connectivity\(泰科\)](#)