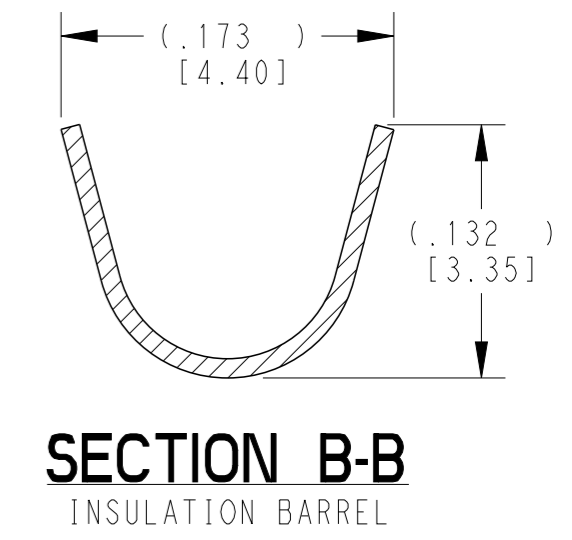
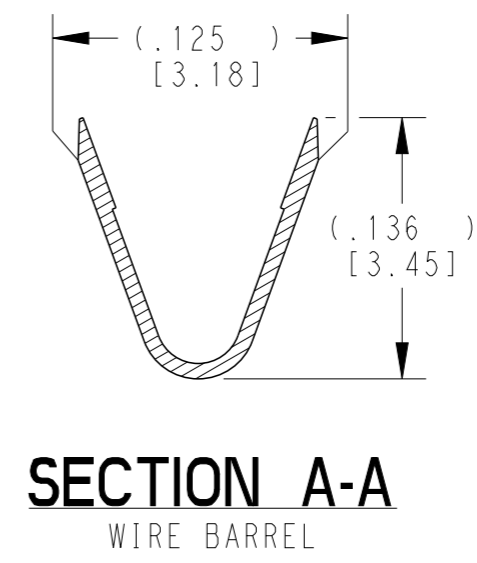
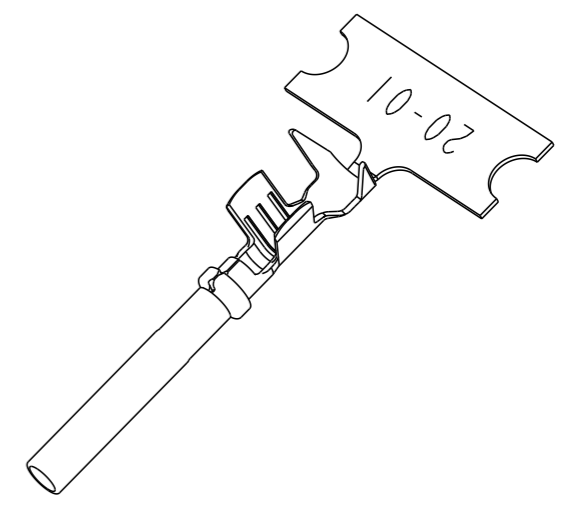
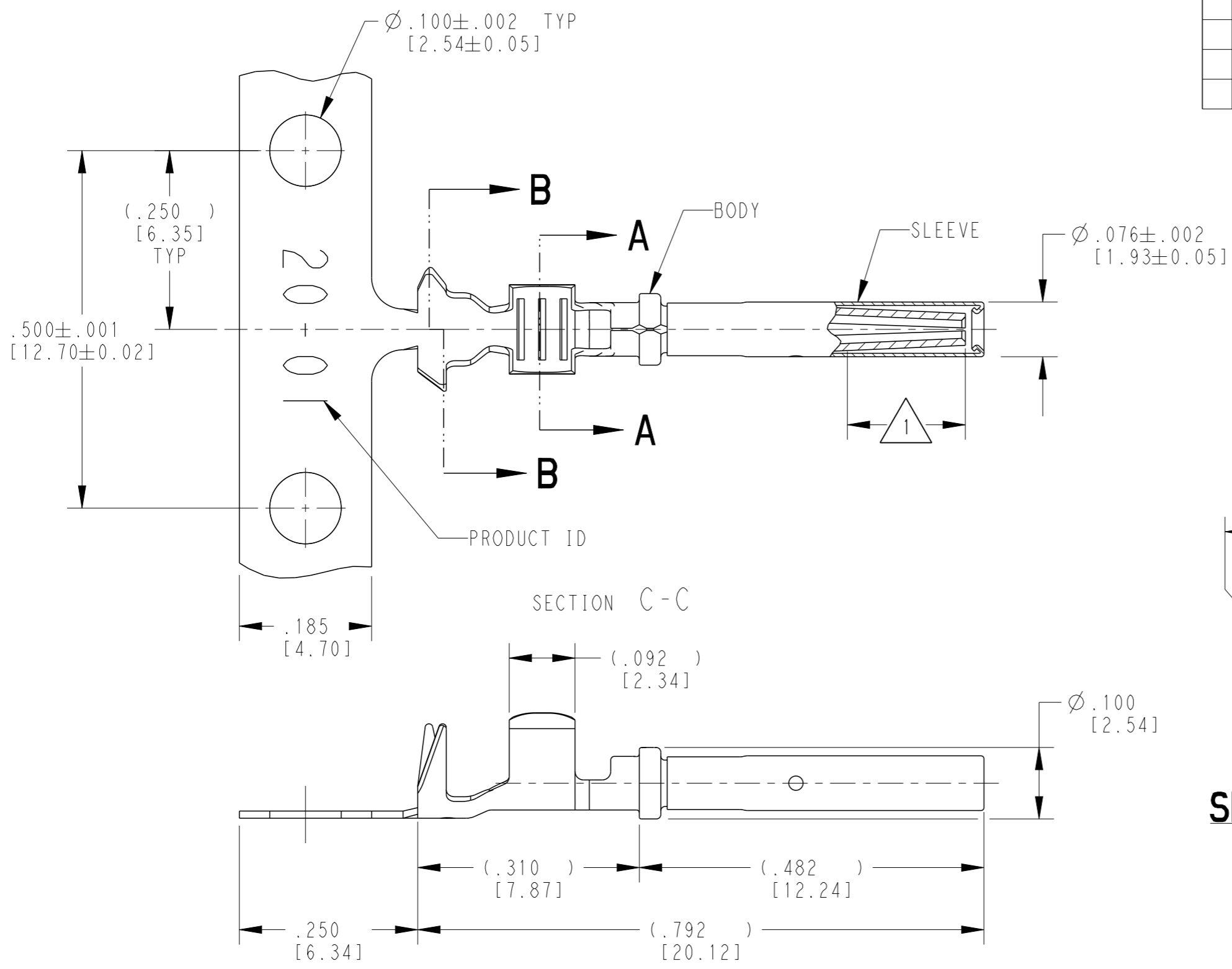


THIS DRAWING IS UNPUBLISHED. RELEASED FOR PUBLICATION 2018
 © COPYRIGHT 2018 BY - ALL RIGHTS RESERVED.

REVISIONS					
P	LTR	DESCRIPTION	DATE	DWN	APVD
E		REVISED PER E.O. P20382	03DEC2009		RDR
F		REVISED PER PCN :E-18-007949	23MAY2018	DD	DM



3 MATERIAL:
 BODY: .010 [0.25] THICK COPPER ALLOY
 SLEEVE: STAINLESS STEEL

2. WIRE RANGE: 22 AWG TO 16 AWG [0.35-1.5 mm²]
 INSULATION RANGE: $\phi .075$ -.125 [ϕ 1.91-3.18]

1 APPLIES ONLY TO SELECTIVE GOLD 1062-20-0144.
 INDICATED DIMENSION SHOWS GOLD PLATED AREA.

NOTES: UNLESS OTHERWISE SPECIFIED

THIS DRAWING IS A CONTROLLED DOCUMENT.	
DIMENSIONS: INCHES [mm]	TOLERANCES UNLESS OTHERWISE SPECIFIED:
	0 PLC ±
	1 PLC ±
	2 PLC ±
	3 PLC ±.025 [0.64]
	4 PLC ±
	ANGLES ±
MATERIAL 3	FINISH SEE TABLE

DWN	J. APOSTOL	01DEC2009
CHK	D. MEYER	02DEC2009
APVD	R. REED	02DEC2009
PRODUCT SPEC	0425-015-0000	
APPLICATION SPEC	114-151003	
WEIGHT	0.21 g	
CUSTOMER DRAWING		

TE INTERNAL PN	DEUTSCH PN	PLATING
1062-20-0122	1062-20-0122	NICKEL
1062-20-0144	1062-20-0144	SELECTIVE GOLD
1062-20-0177	1062-20-0177	TIN

TE Connectivity		NAME	
		STAMPED CONTACT SOCKET SIZE 20	
SIZE	CAGE CODE	DRAWING NO	RESTRICTED TO
A3	4AFU8	1062-20-01XX	-
SCALE 6:1		SHEET 1 OF 1	REV F

单击下面可查看定价，库存，交付和生命周期等信息

[>>TE Connectivity\(泰科\)](#)