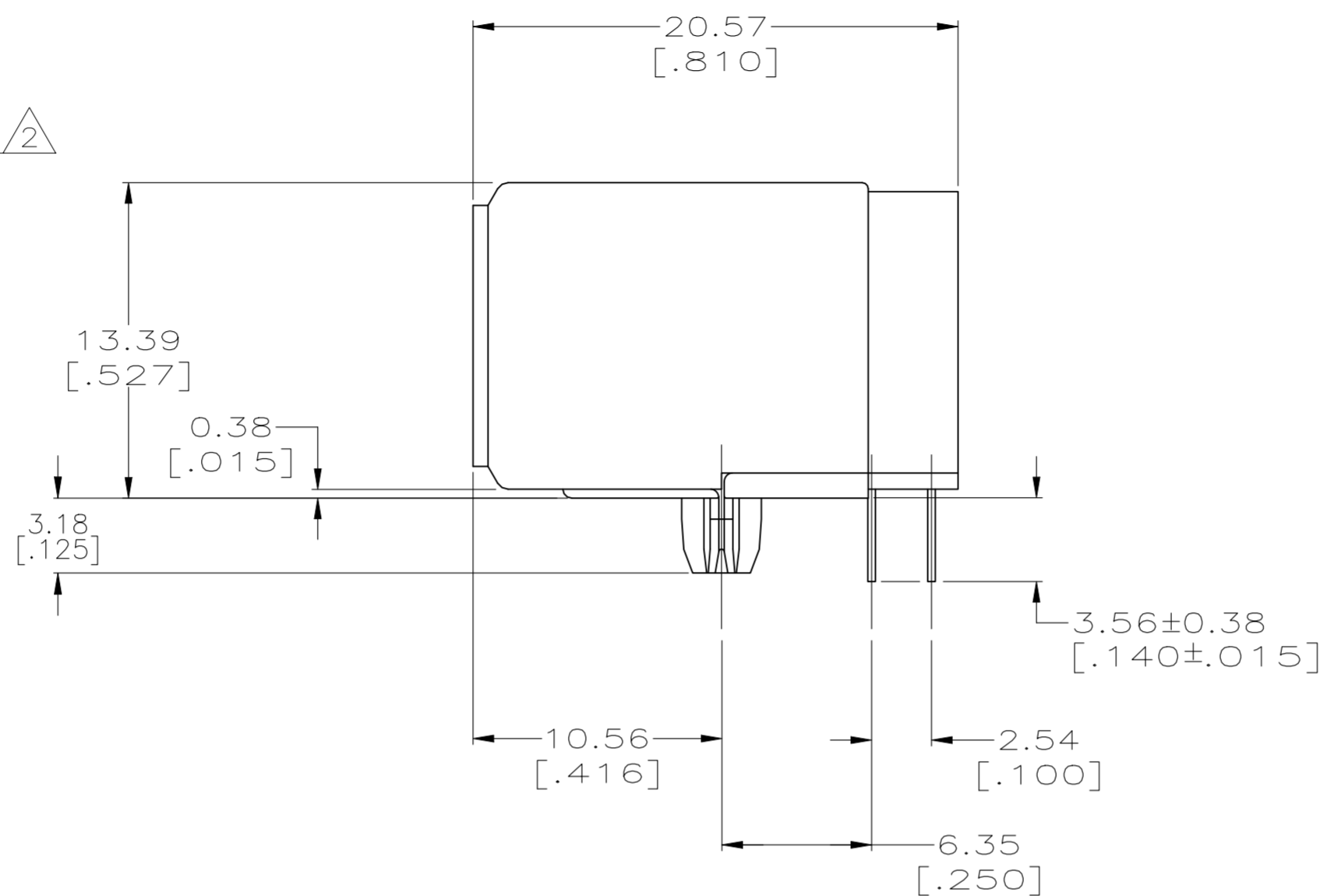
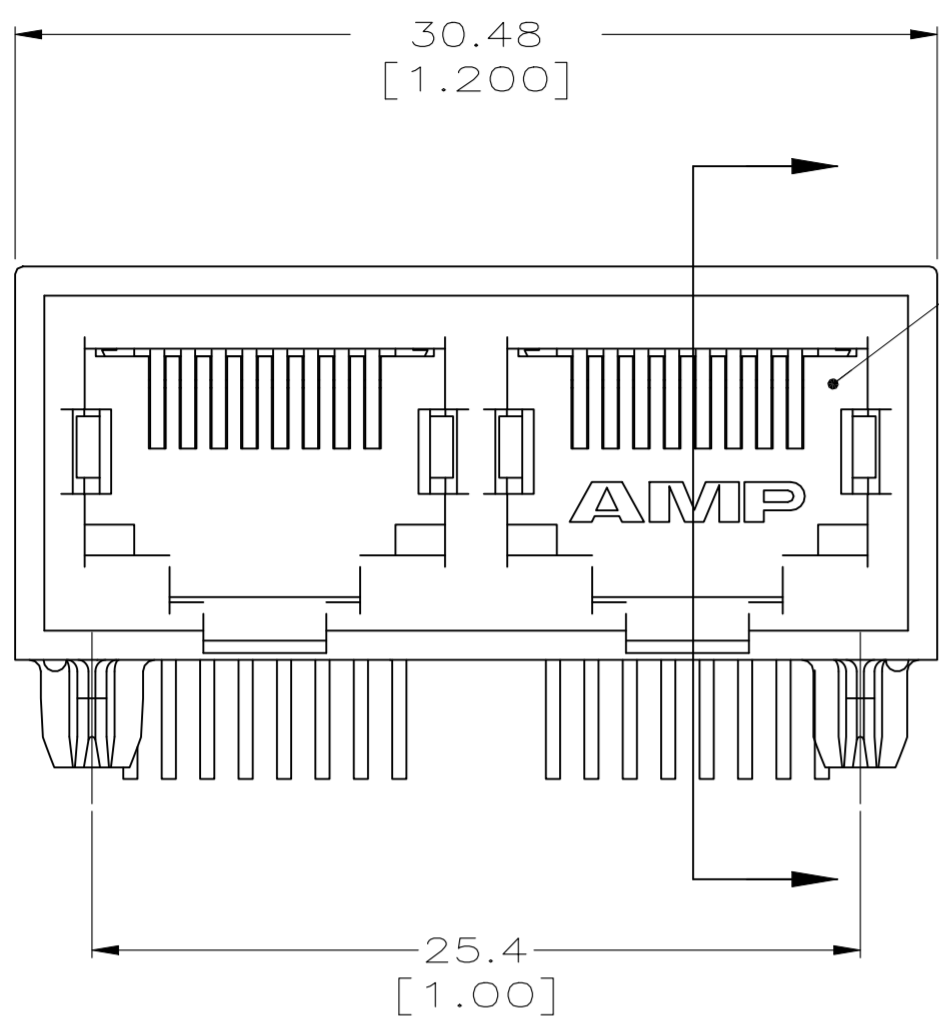
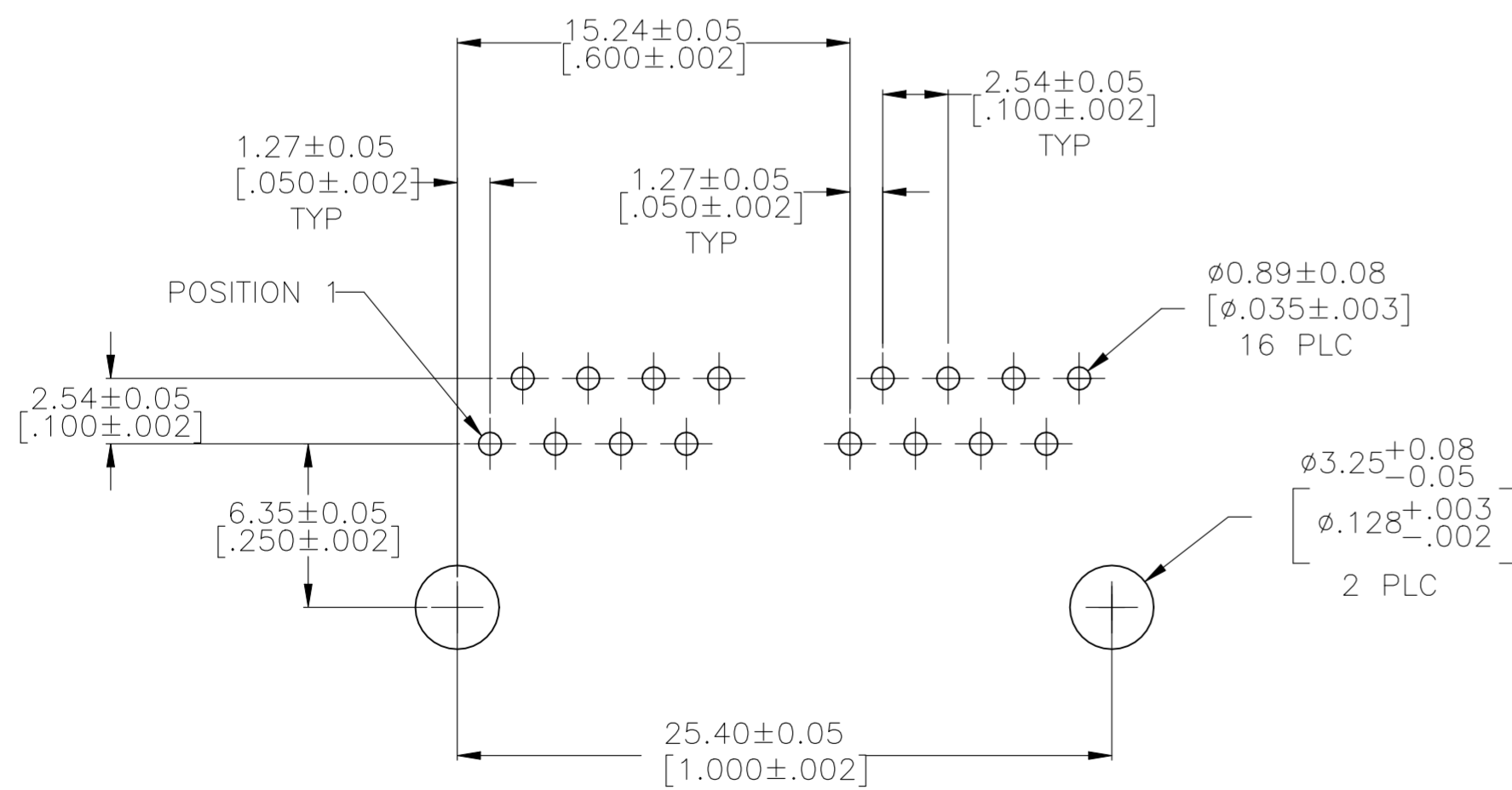


REVISIONS					
P	LTR	DESCRIPTION	DATE	DWN	APVD
B1		ECR-19-014657	13DEC2020	RR	SZ



- 1 MATERIAL:
 HOUSING - NYLON, COLOR: BLACK, UL 94V-0.
 OVERMOLDED TERMINAL ARRAY - PBT, BROWN.
 TERMINAL - 0.33[.013] THICK PHOS-BRONZE PLATED WITH 1.27µm[.000050] THICK HARD GOLD IN LOCALIZED GOLD PLATE AREA AND 3.81µm[.000150] THICK MATTE TIN IN SOLDER AREA OVER 1.27µm[.000050] THICK NICKEL UNDERPLATE.
- △ JACK CAVITY CONFORMS TO FCC RULES AND REGULATIONS PART 68, SUBPART F.



SUGGESTED PC BOARD LAYOUT
 COMPONENT SIDE
 SEE APPLICATION SPECIFICATION

6368120-1
 PART NUMBER

THIS DRAWING IS A CONTROLLED DOCUMENT.		DWN DL DRUMMOND/L.A.MAYER 10MAY2005	TE Connectivity	
DIMENSIONS: mm		CHK J.WESTMAN 10MAY2005	NAME S.FLICKINGER	
TOLERANCES UNLESS OTHERWISE SPECIFIED:		APVD S.FLICKINGER 10MAY2005	PRODUCT SPEC 108-1163-2	
0 PLC ± -		APPLICATION SPEC 114-2048	SIZE A2	CAGE CODE 00779
1 PLC ± -		WEIGHT 0.000000	DRAWING NO C=6368120	RESTRICTED TO -
2 PLC ± 0.25[.01]		CUSTOMER DRAWING	SCALE 4:1	SHEET 1 of 1
3 PLC ± 0.13[.005]			REV B1	
4 PLC ± -				
ANGLES ± -				
FINISH SEE NOTE 1				

单击下面可查看定价，库存，交付和生命周期等信息

[>>TE Connectivity\(泰科\)](#)