

THIS DRAWING IS UNPUBLISHED.

RELEASED FOR PUBLICATION

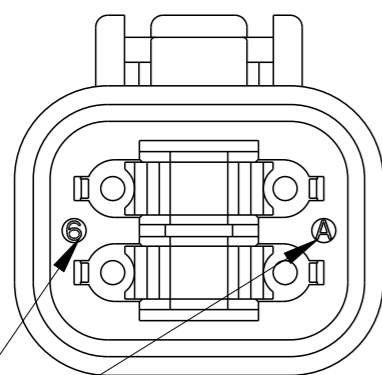
2018

© COPYRIGHT 1989 BY - TE CONNECTIVITY

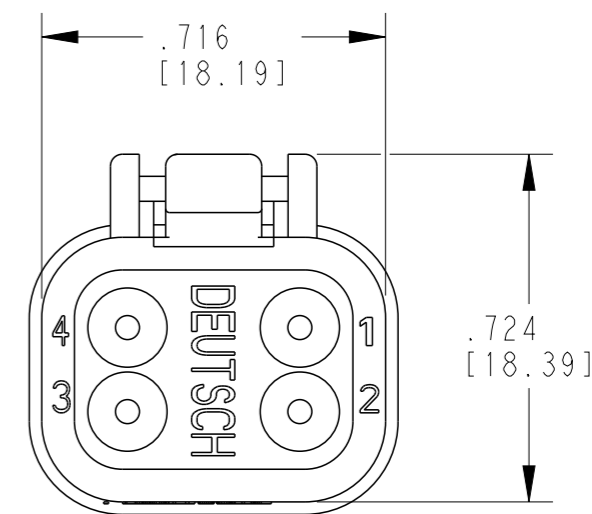
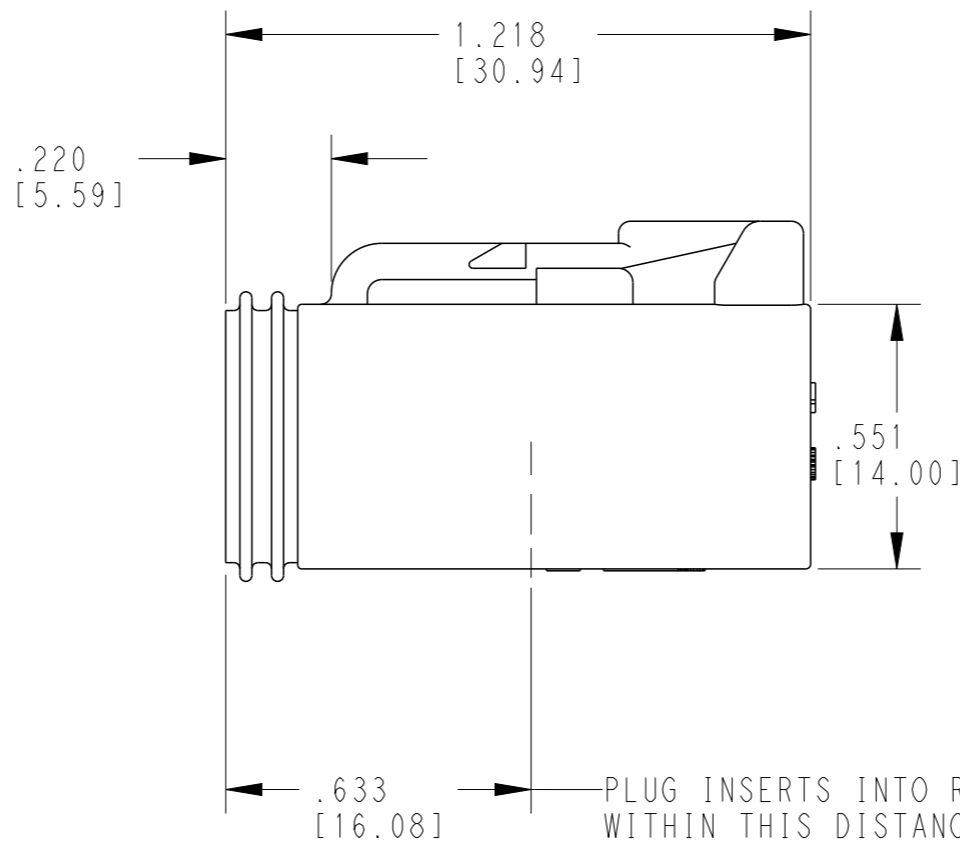
ALL RIGHTS RESERVED.

REVISIONS

P	LTR	DESCRIPTION	DATE	DWN	APVD
NC		NEW RELEASE PER E.O. A092286	12/5/89	CW	JA
A		NEW RELEASE PER E.O. A09335	09/06/90	CW	JA
B		NEW RELEASE PER E.O. AP15019	04/04/96	CW	JA
B1		REVISED PER PCN E-18-016951	10/25/18	AJ	DM



DATE CODE: YEAR IS REPRESENTED BY LAST NUMERICAL DIGIT. EX: 6=2016
 MONTH IS REPRESENTED BY SEQUENTIAL ALPHA CHARACTERS. EX: A=JANUARY



CONTACT SIZE	MIN. INSUL. O.D.	MAX. INSUL. O.D.	WIRE RANGE
16	.088 [2.23]	.145 [3.68]	14-18 AWG [2.0-0.75 mm ²]

3 MATERIAL - HOUSING: PA66 GF15 (GRAY)
 - GROMMET/SEAL: VMQ (RED-ORANGE)

2. FOR CONTACT AND WIRE PERFORMANCE AND APPLICATION CHARACTERISTICS SEE CUSTOMER DRAWING 0425-015-0000.

1. THIS PLUG MATES WITH DT04-4P-XXXX RECEPTACLE AND USES THE W4S WEDGE LOCK. (XXXX = ALL MODIFICATIONS).

NOTES:

THIS DRAWING IS A CONTROLLED DOCUMENT.

DIMENSIONS:	TOLERANCES UNLESS OTHERWISE SPECIFIED:
in [mm]	
0 PLC	±
1 PLC	±
2 PLC	±
3 PLC	±.025 [.63]
4 PLC	±
ANGLES	±0° 30' 0"

MATERIAL

FINISH	-
--------	---

DWN	C. WOODRUFF	13JUL90
CHK	V. TOMSA	12FEB96
APVD	R. REED	4APR96
PRODUCT SPEC	108-151009	
APPLICATION SPEC	114-151009	
WEIGHT	7 g	

TE Connectivity			
NAME 4 WAY PLUG COLOR: GRAY DT SERIES			
SIZE	CAGE CODE	DRAWING NO	RESTRICTED TO
A3	4AFU8	DT06-4S	-
CUSTOMER DRAWING		SCALE 1:1	SHEET 1 OF 1 REV B1

单击下面可查看定价，库存，交付和生命周期等信息

[>>TE Connectivity\(泰科\)](#)