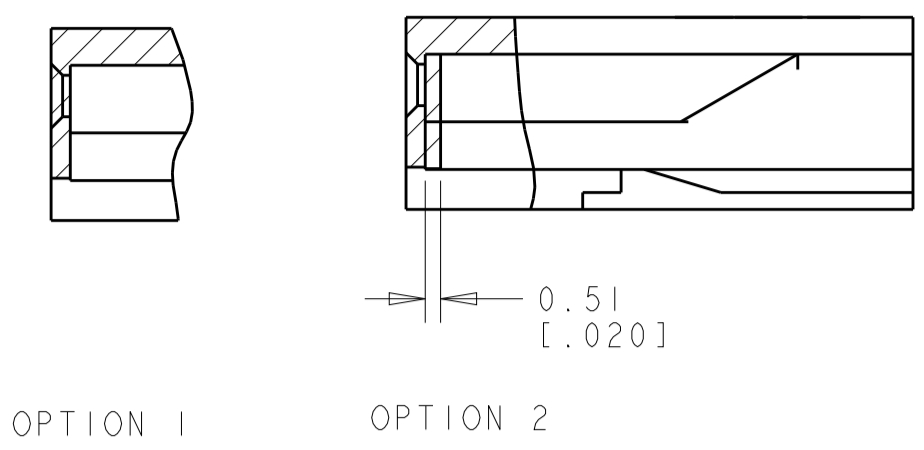
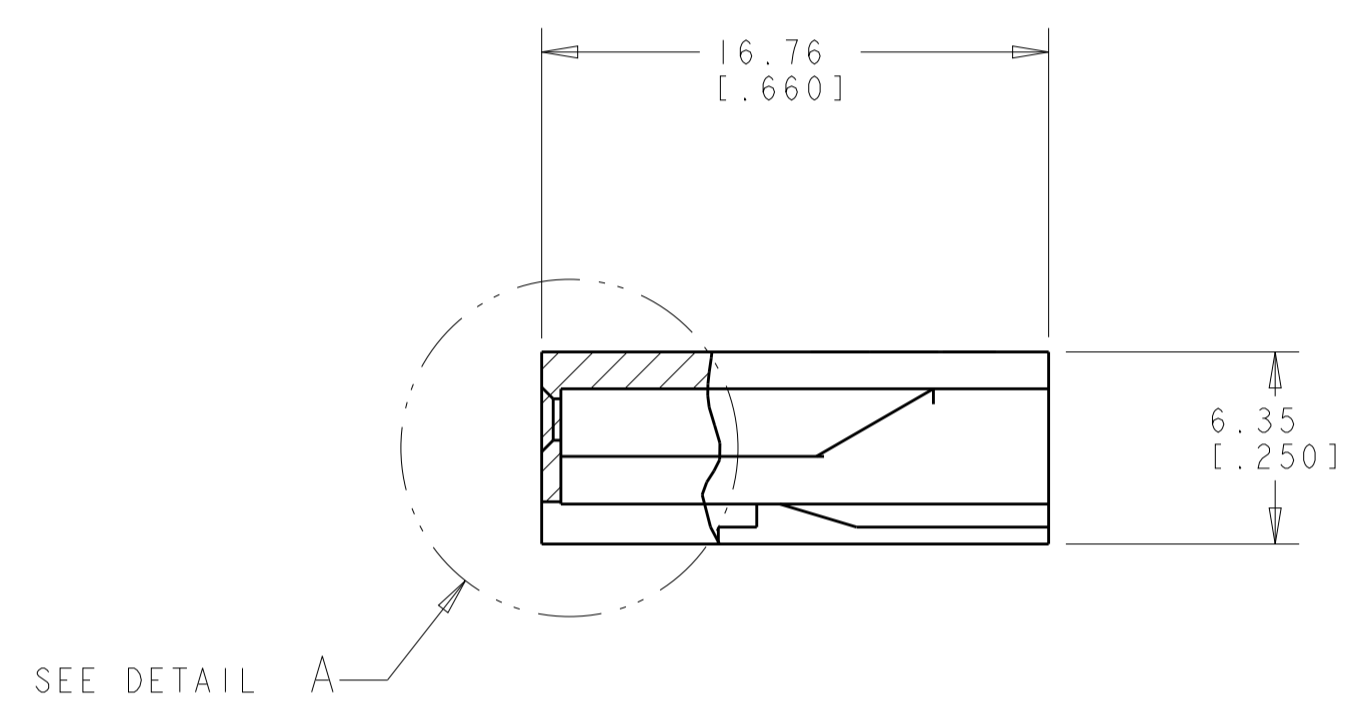
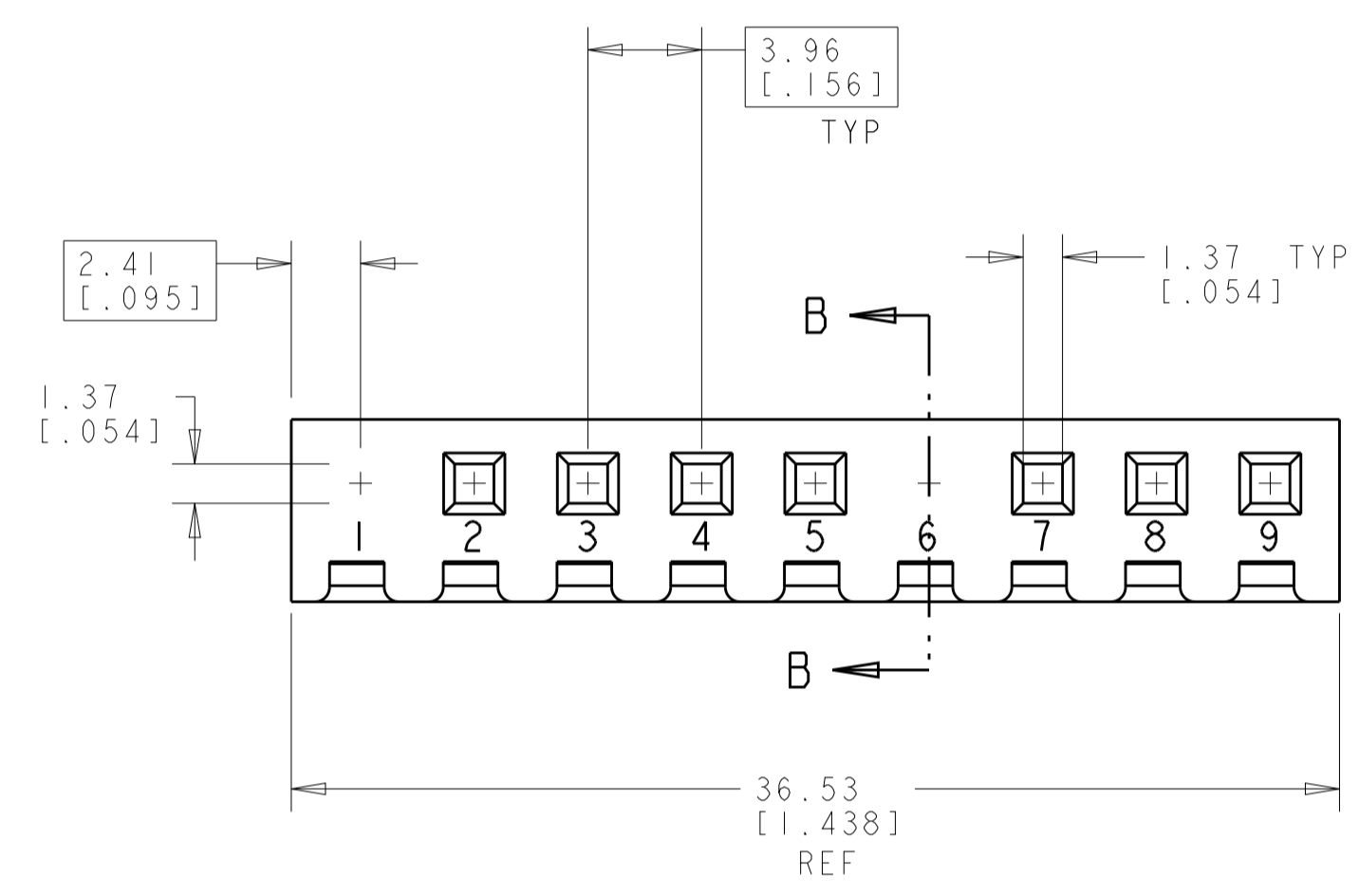


LOC	DIST	REVISIONS					
		P	LTN	DESCRIPTION	DATE	DWN	APVD
CM	00	B		REVISED PER ECO-12-007807	06AUG2012	KH	SM

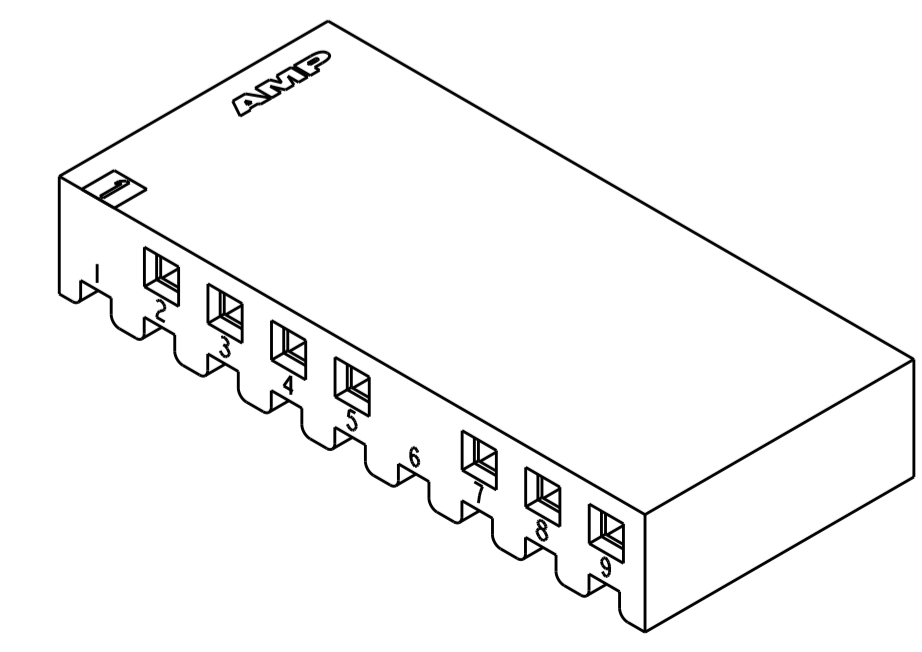
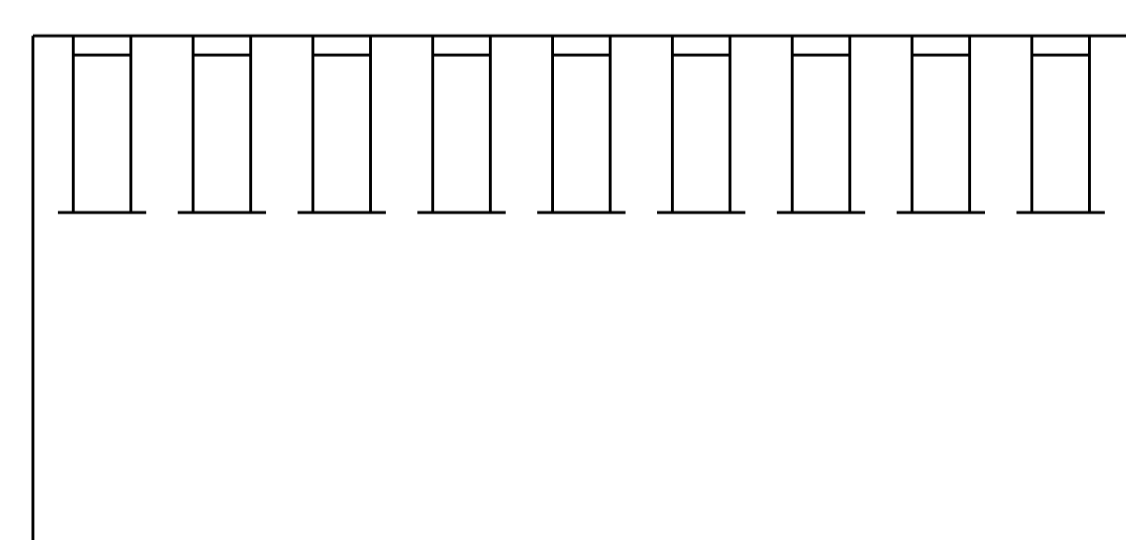
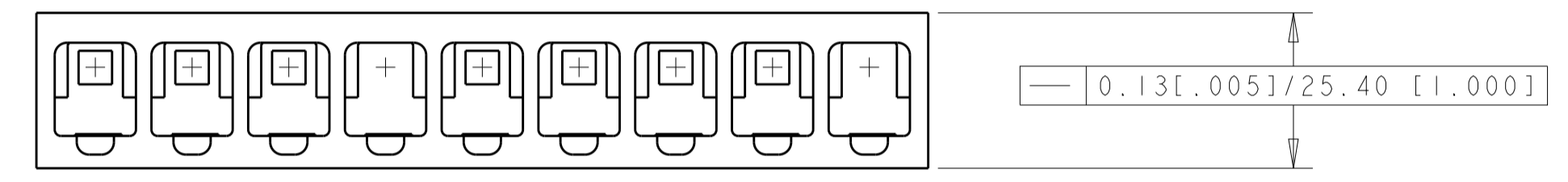


1. UNIT ACCEPTS 1.14 [0.045] SQUARE OR ROUND POST.
2. UNIT ACCEPTS STANDARD SL-156 CONTACTS.
3. UNIT ACCEPTS KEYING PLUG 640254-1 AND KEYING PIN 640255-1.
4. CIRCUIT I.D. NUMBER(S) TO BE LOCATED SEQUENTIALLY AS SHOWN OR ONLY NO. 1 CIRCUIT PLACED ON LOCKING RAMP.
5. DIMENSION IN BRACKETS ARE IN INCHES.
6. DETAIL A SHOWS CIRCUITS 1 AND 6 MOLDED CLOSED. EITHER OPTION 1 OR OPTION 2 MAY BE USED.
7. ACCEPTS UP TO 2.79 [0.110] INSULATION WIRE.

DETAIL A SCALE 4:1



SECTION B-B



3-DIMENSIONAL MODEL SCALE 3:1

9	647669-9
NO OF CIRCUITS	PART NUMBER

THIS DRAWING IS A CONTROLLED DOCUMENT.		DWN K. WHITAKER 09-FEB-04	TE Connectivity NAME: HOUSING, WITH LOCKING RAMP, SL-156, FOR LARGE WIRE INSULATION, CIRCUIT 1 AND 6 BLOCKED PRODUCT SPEC: - APPLICATION SPEC: - SIZE: A100779 CAGE CODE: C=647669 DRAWING NO: - RESTRICTED TO: -
DIMENSIONS: mm [INCHES]	TOLERANCES UNLESS OTHERWISE SPECIFIED:	CHK J. ELLIS 09-FEB-04	
0 PLC ± 1 PLC ± 2 PLC ±0.13 [0.005] 3 PLC ± 4 PLC ± ANGLES ±40°30'	FINISH: -	APVD J. ELLIS 09-FEB-04	SCALE 4:1 SHEET 1 OF 1 REV B
MATERIAL NYLON, UL 94V-0 NATURAL		WEIGHT: -	CUSTOMER DRAWING

单击下面可查看定价，库存，交付和生命周期等信息

[>>TE Connectivity\(泰科\)](#)