

CORCOM IEC INLET FILTER IH SERIES

EMI Filters for Medical Applications

TE Connectivity (TE) introduces the Corcom IH Series of IEC inlet filters bringing double insulated filtering capability to customers requiring 60320 (ground-free) C18 inlets for the medical equipment market.

Medical Equipment manufacturers need to comply with stringent requirements that protect operators and patients utilizing medical equipment. The Corcom IH series of IEC inlet filters enable manufacturers to comply with the IEC 60601-1 standard class II requirements by providing 2 MOPP construction (2 Means of Patient Protection).

Corcom IH series are compatible with V-Lock cords. The locking cords are utilized in the medical industry to prevent accidental disconnection of power from the equipment. This integrated cord lock installs and operates without additional parts or tools, saving time and money for both OEMs and end users seeking to avoid this risk.

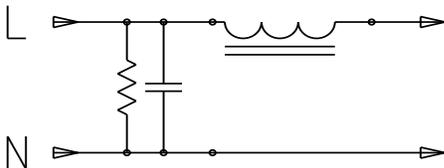


Standards and Specifications

- UL Recognized - UL 60601-1
- UL1283
- CSA C 22.2 No 8
- EN/IEC 60939-2



Electrical Schematic



Electrical Specifications

Maximum leakage current Per line to ground		2 μ A @ 120V 60Hz 5 μ A @ 250V 60Hz
Hipot rating (one minute)	Line to ground	4000 VAC
	Line to line	1500VDC
Operating frequency		50 - 60 Hz
Rated voltage		120/250 VAC

Key Features

- Low leakage current
- IEC60320-1 C18 inlet for ungrounded application
- Small, Compact Size
- V-lock cord compatible
- 2 Means of Patient Protection (2 MOPP) construction
- Double Insulated, no ground
- Flanged and Snap-in versions

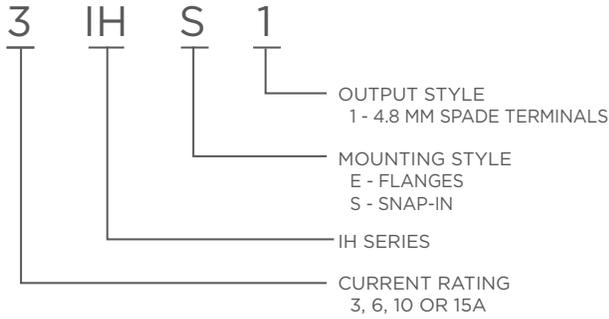
Key Benefits

- Complies with IEC 60601-1 Class II
- EMI protection for frequencies 150KHz - 300MHz
- Eliminates accidental power disconnection at the equipment

Applications

- Medical Equipment
- Laboratory Equipment
- Test and Measurement Equipment

PRODUCT KEY

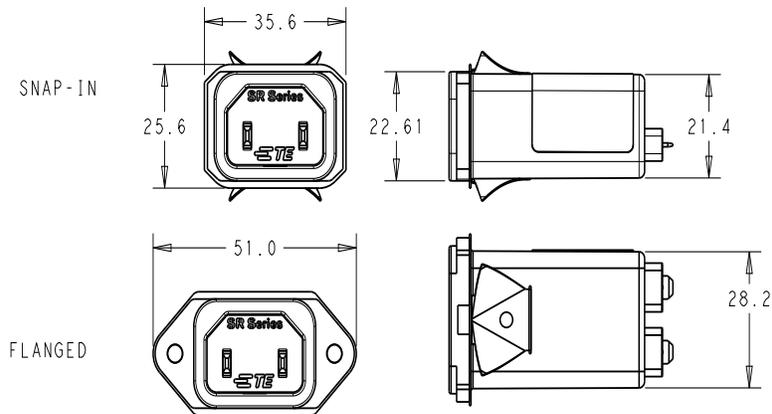


Product Selection Information

IEC Filtered Inlets IH Series Snap-In and Flange

TE Part Number	Catalog Part Name	Mounting Style	Current Rating
6-1609157-2	3IHS1	Snap-In	3A
6-1609157-3	6IHS1	Snap-In	6A
6-1609157-4	10IHS1	Snap-In	10A
6-1609157-5	15IHS1	Snap-In	15A@120V / 10A@250V
6-1609157-6	3IHE1	Flange	3A
6-1609157-7	6IHE1	Flange	6A
6-1609157-8	10IHE1	Flange	10A
6-1609157-9	15IHE1	Flange	15A@120V / 10A@250V

Dimensions



te.com

© 2017 TE Connectivity Ltd. Family of Companies. All Rights Reserved. Corcom, TE, TE Connectivity, and the TE connectivity (logo) are trademarks of the TE Connectivity Ltd. family of companies. Other logos, product and company names mentioned herein may be trademarks of their respective owners.

While TE has made every reasonable effort to ensure the accuracy of the information in this brochure, TE does not guarantee that it is error-free, nor does TE make any other representation, warranty or guarantee that the information is accurate, correct, reliable or current. TE reserves the right to make any adjustments to the information contained herein at any time without notice. TE expressly disclaims all implied warranties regarding the information contained herein, including, but not limited to, any implied warranties of merchantability or fitness for a particular purpose. The dimensions in this catalog are for reference purposes only and are subject to change without notice. Specifications are subject to change without notice. Consult TE for the latest dimensions and design specifications. 1-1773909-2 BH 03/2017

USA: +1 (800) 522-6752
 Canada: +1 (905) 475-6222
 Mexico: +52 (0) 55-1106-0800
 Latin/S. America: +54 (0) 11-4733-2200
 Germany: +49 (0) 6251-133-1999

UK: +44 (0) 800-267666
 France: +33 (0) 1-3420-8686
 The Netherlands: +31 (0) 73-6246-999
 China: +86 (0) 400-820-6015

单击下面可查看定价，库存，交付和生命周期等信息

[>>TE Connectivity\(泰科\)](#)