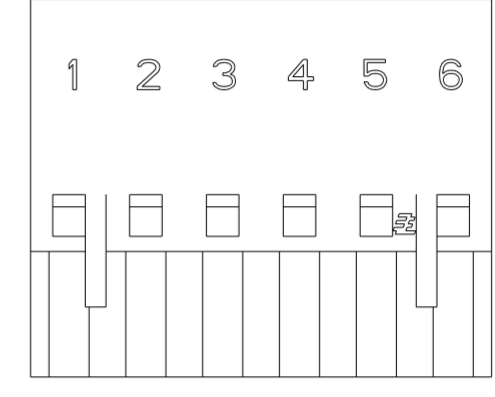
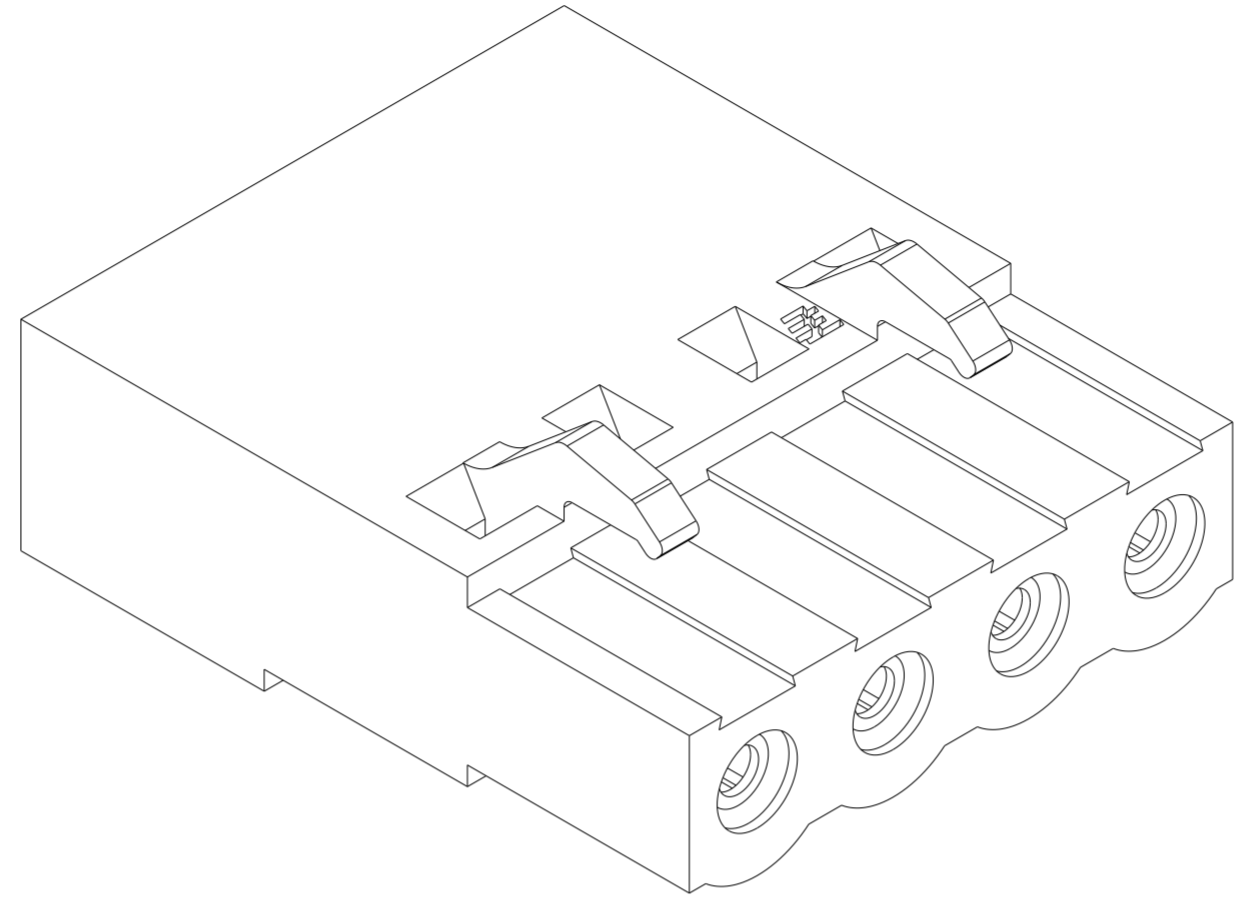
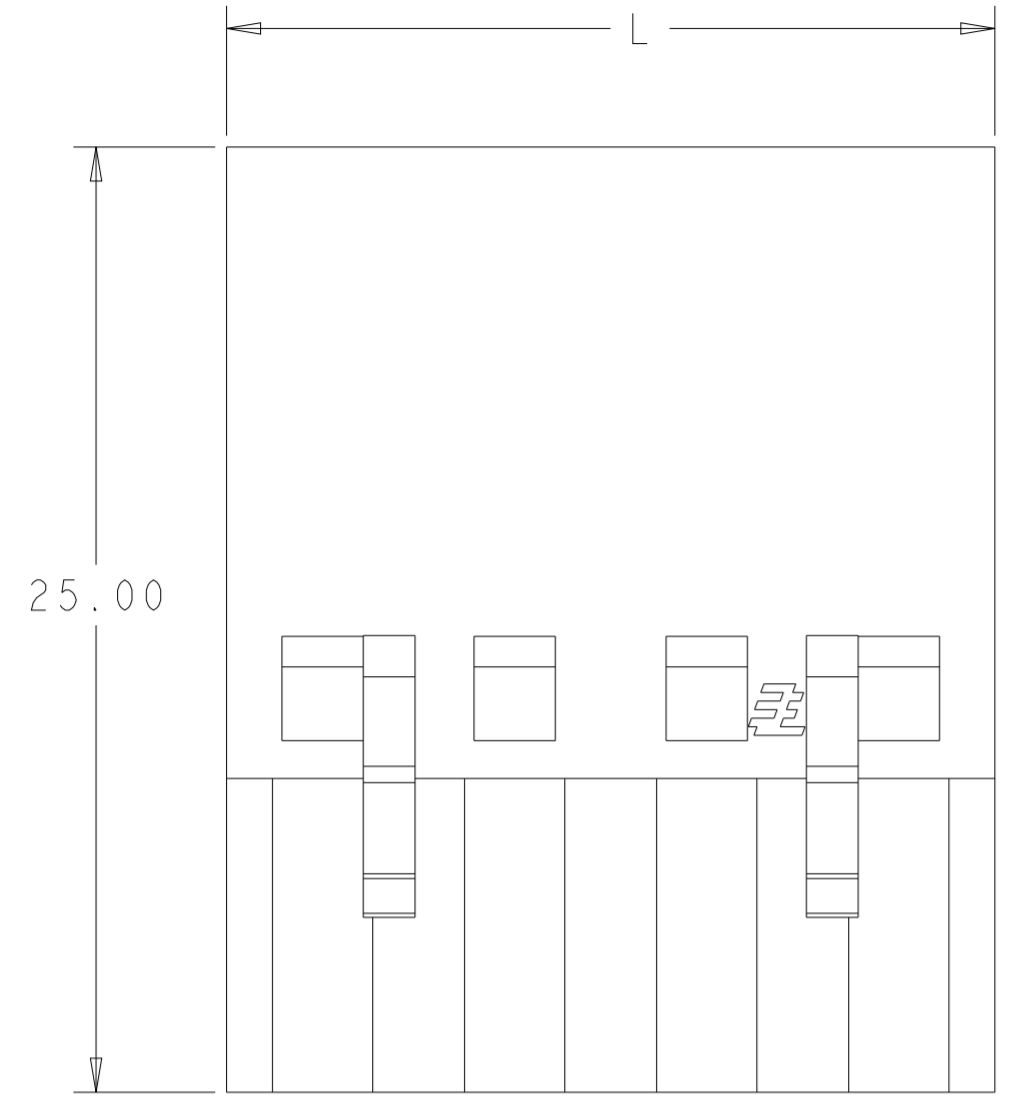
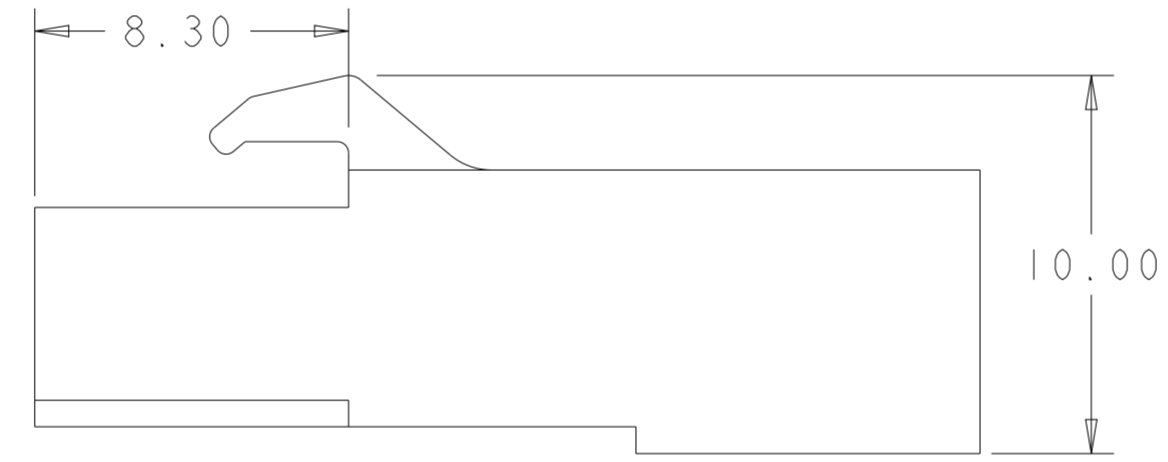
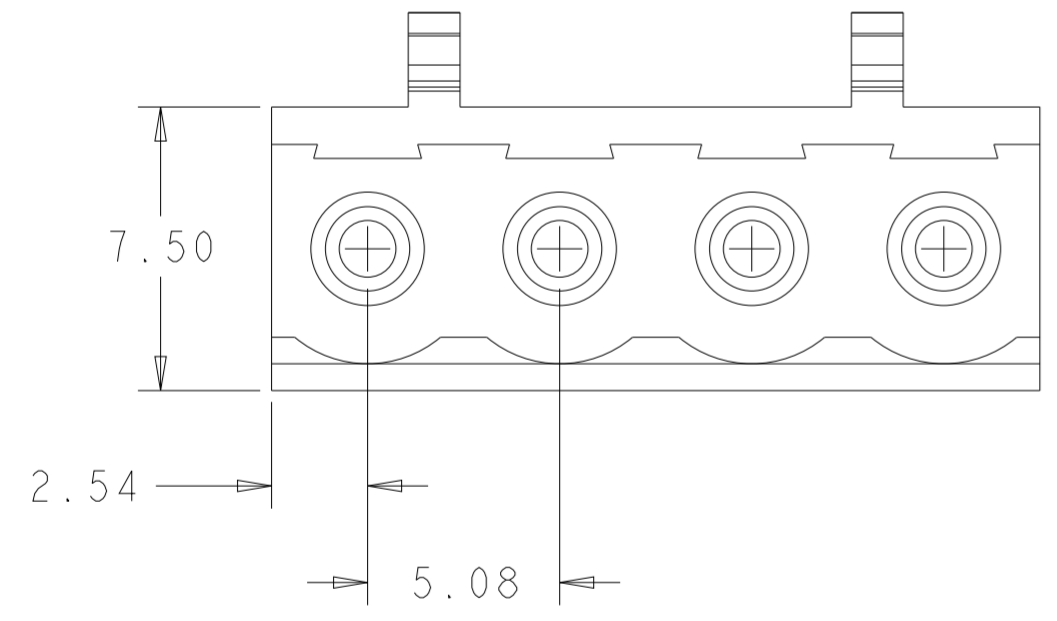


REVISIONS				
P	LTR	DESCRIPTION	DATE	APVD
	A5	PART STATUS UPDATED	05OCT2021	GMN SS



DETAIL C \triangle



THIS PRODUCT HAS NOT COMPLETED VALIDATION TESTING

\triangle \triangle 5	OBSOLETE	GREEN	30.48	6	2-1986160-6
		GRAY	30.48	6	1-1986160-6
		GRAY	25.40	5	1-1986160-5
		GRAY	20.32	4	1-1986160-4
		GRAY	15.24	3	1-1986160-3
		GRAY	10.16	2	1-1986160-2
		GREEN	30.48	6	1986160-6
		GREEN	25.40	5	1986160-5
		GREEN	20.32	4	1986160-4
		GREEN	15.24	3	1986160-3
	GREEN	10.16	2	1986160-2	
	HOUSING COLOR	L		NO OF POSN	PART NUMBER

- MATERIAL:
HOUSING - POLYESTER, UL 94V-0 RATED, COLOR: SEE TABLE.
- RECOMMENDED CRIMP STYLE CONTACTS, (965899 AND 965901) TO BE USED WITH THIS HOUSING.
- CONNECTOR MATES WITH 5.08mm OPEN AND CLOSED END INDUSTRY STANDARD HEADERS.

- \triangle PART TO BE MARKED WITH BLACK PERMANENT MARKING SEE DETAIL C, LETTER TO BE 3.8 MM IN HEIGHT
- \triangle PRELIMINARY

THIS DRAWING IS A CONTROLLED DOCUMENT.

DIMENSIONS:	TOLERANCES UNLESS OTHERWISE SPECIFIED:	DWN S. WELDON 19MAR2007	TE Connectivity
mm	0 PLC ±	CHK C. RICHARD 19MAR2007	
	1 PLC ±0.5	APVD C. RICHARD 19MAR2007	
	2 PLC ±0.13	PRODUCT SPEC	
	3 PLC ±0.000	APPLICATION SPEC	NAME PLUG HOUSING, TERMINAL BLOCK, CRIMP STYLE, 5.08mm PITCH
	4 PLC ±0.000	WEIGHT	SIZE A2
MATERIAL	FINISH	CUSTOMER DRAWING	CAGE CODE 00779
		SCALE 5:1	DRAWING NO C-1986160
		SHEET 1 OF 1	RESTRICTED TO
		REV A5	

单击下面可查看定价，库存，交付和生命周期等信息

[>>TE Connectivity\(泰科\)](#)