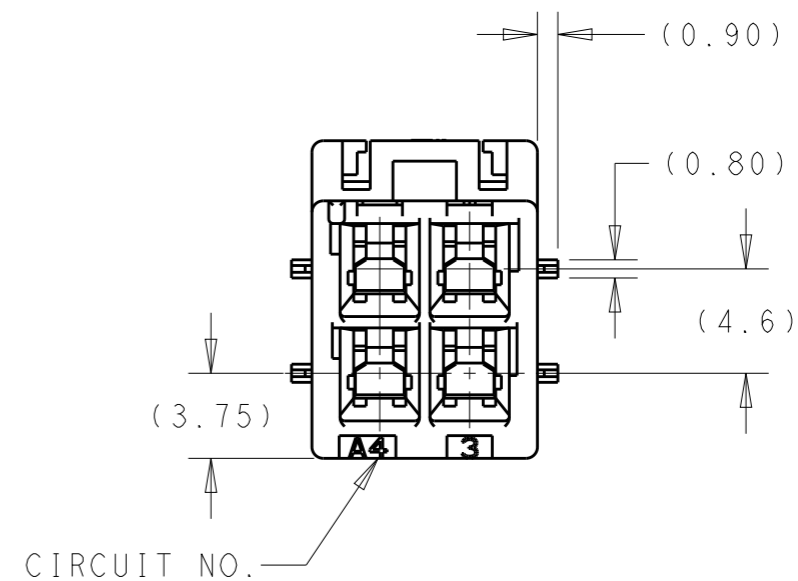
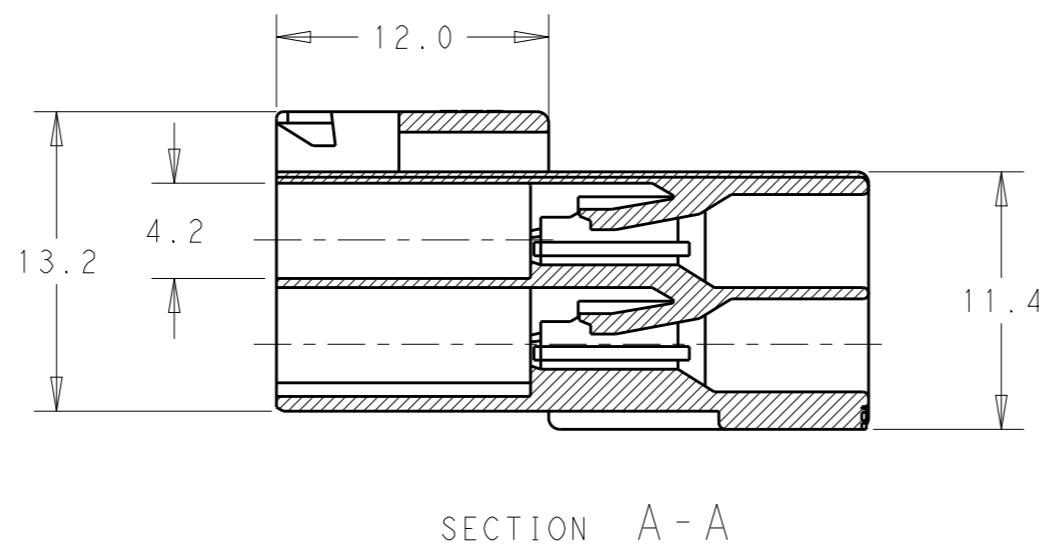
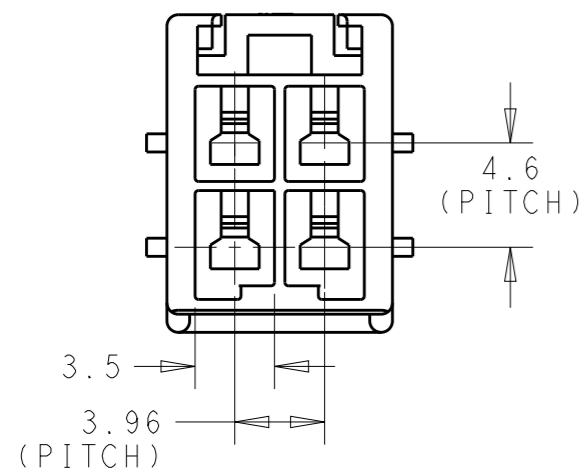
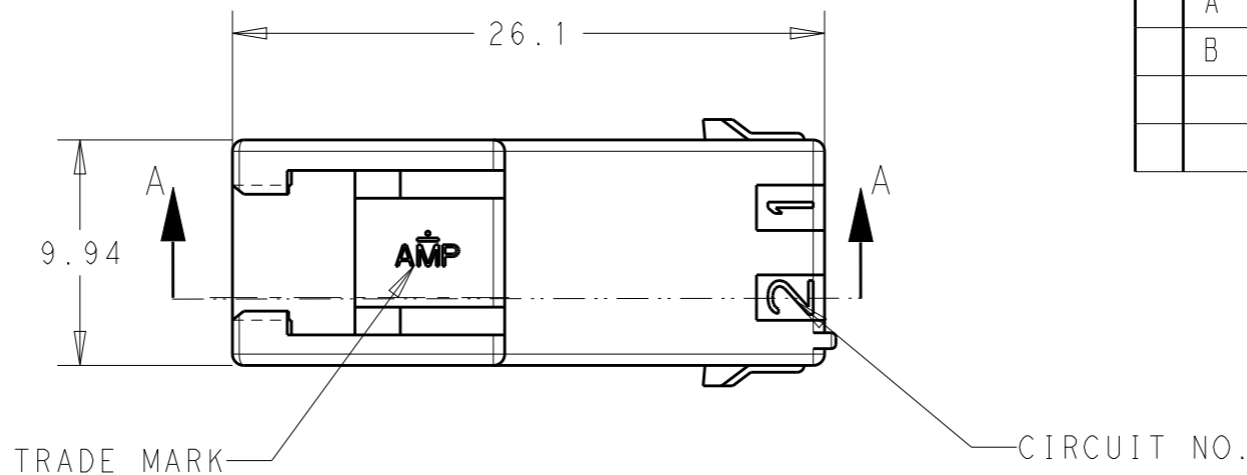


THIS DRAWING IS UNPUBLISHED. RELEASED FOR PUBLICATION 20
 © COPYRIGHT 20 BY - ALL RIGHTS RESERVED.

| REVISIONS | | | | | |
|-----------|-----|---------------------------|-----------|-----|------|
| P | LTR | DESCRIPTION | DATE | DWN | APVD |
| | A | RELEASED | 02MAR'09 | SC | JK |
| | B | REVISED PER ECR-19-009721 | 01JUL2019 | M.G | D.Z |
| | | | | | |



NOTE

- THIS HOUSING ACCEPTS TAB TERMINAL:
 -TAB CONTACT: 177917-□ (AWG#16-#20)
 177916-□ (AWG#22-#26)
- MATING CONN. P/N
 -PLUG HSG: □-368575-□
 -REC CONTACT: 177915-□ (AWG#20-#16)
 177914-□ (AWG#26-#22)
- APPLICABLE DOUBLE LOCK PLATE : □-368590-1
- GENERAL TOLERANCES: ±0.3

5 ALL PARTS COMPLY WITH GLOW WIRE REQUIREMENT FOR PARTS OF NON-METALLIC MATERIAL SUPPORTING A CURRENT-CARRYING CONNECTION DETAILED IN IEC 60335-1, SECTION 30(GWT)

| | | |
|-----------------|---------|-------------|
| PA66 UL94V-0 | BLUE | 1-368587-6 |
| | YELLOW | 1-368587-4 |
| | RED | 1-368587-2 |
| | NATURAL | 1-368587-1 |
| PA66 UL94V-2 | BLUE | 368587-6 |
| | YELLOW | 368587-4 |
| | RED | 368587-2 |
| | NATURAL | 368587-1 |
| MATERIAL | COLOR | PART NUMBER |

| | | | | | |
|----------------------------------------|--|-----------------------------------------------------------------------------|--|------------------------------------------------|--|
| THIS DRAWING IS A CONTROLLED DOCUMENT. | | DWN SC KIM | | TE Connectivity | |
| DIMENSIONS: mm | | CHK BW KANG | | | |
| | | TOLERANCES UNLESS OTHERWISE SPECIFIED: | | NAME PDL 4P CAP HSG 3.96mm D/R F/H (GWT) | |
| | | 0 PLC ± 1 PLC ± 2 PLC ± 3 PLC ± 4 PLC ± ANGLES ± FINISH - | | APVD JK SONG | |
| MATERIAL SEE TABLE 5 | | PRODUCT SPEC 108-5410 | | SIZE A3 | |
| | | APPLICATION SPEC 114-5175 | | CAGE CODE 00779 | |
| | | WEIGHT - | | DRAWING NO C-368587 | |
| | | CUSTOMER DRAWING | | RESTRICTED TO - | |
| | | SCALE 3:1 | | SHEET 1 OF 1 | |
| | | | | REV B | |

单击下面可查看定价，库存，交付和生命周期等信息

[>>TE Connectivity\(泰科\)](#)